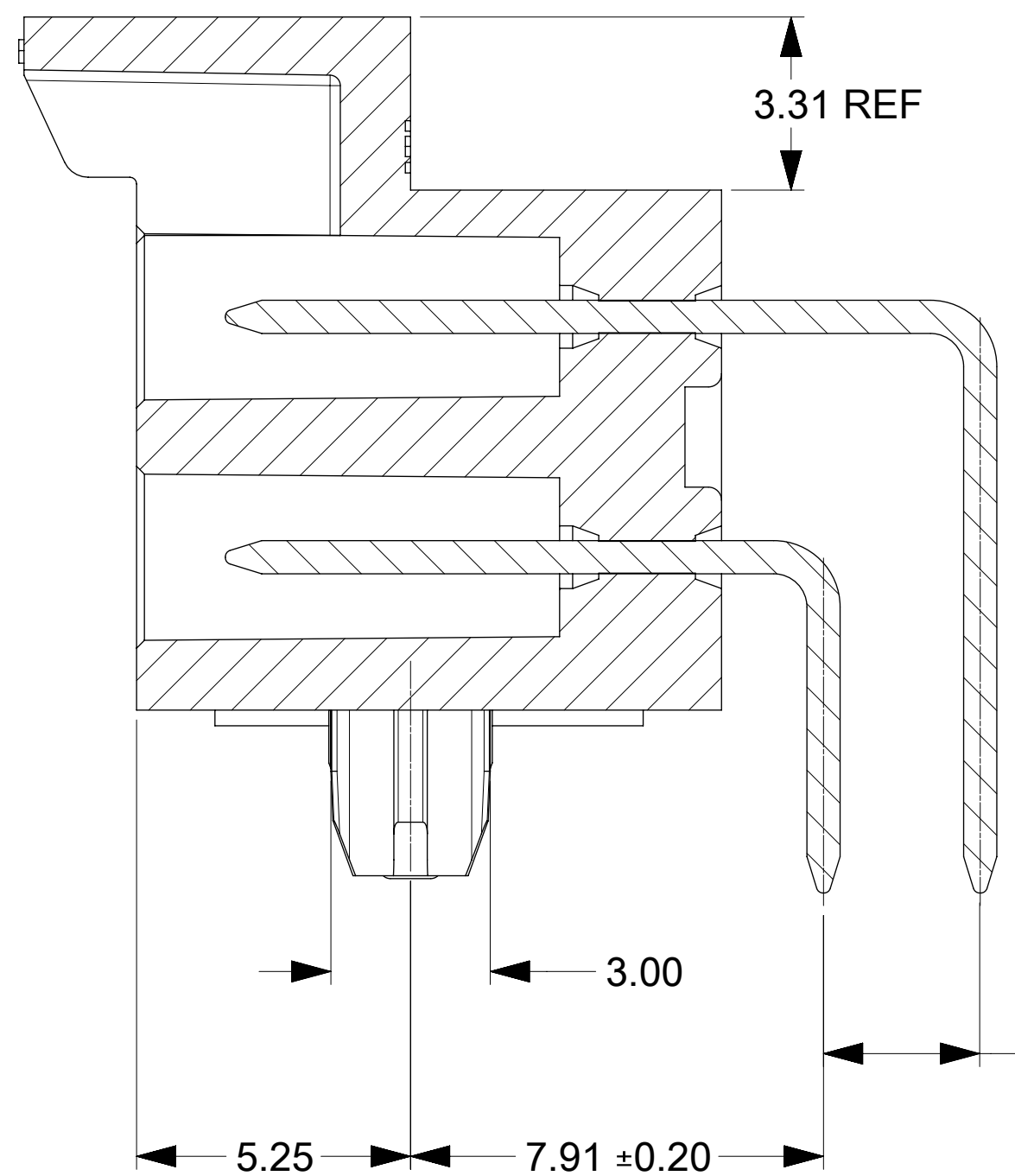
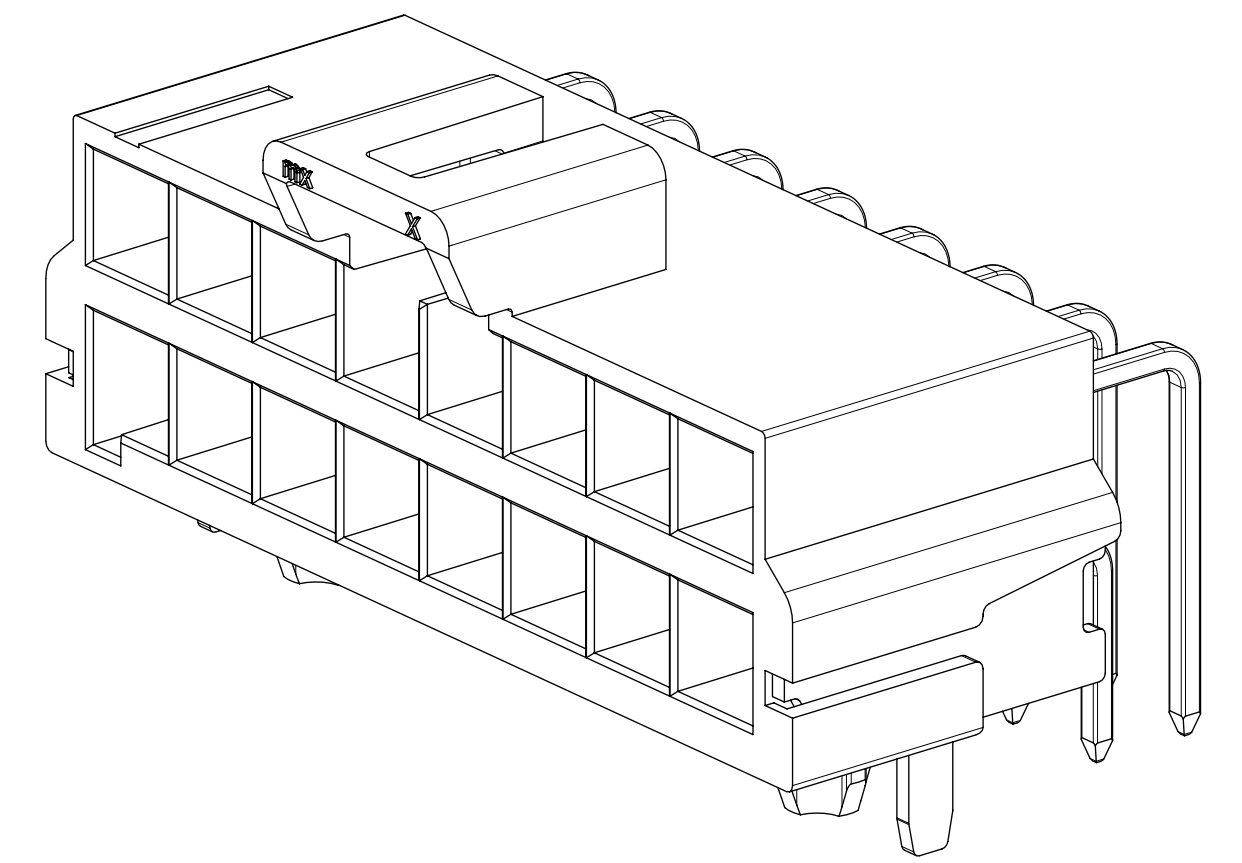
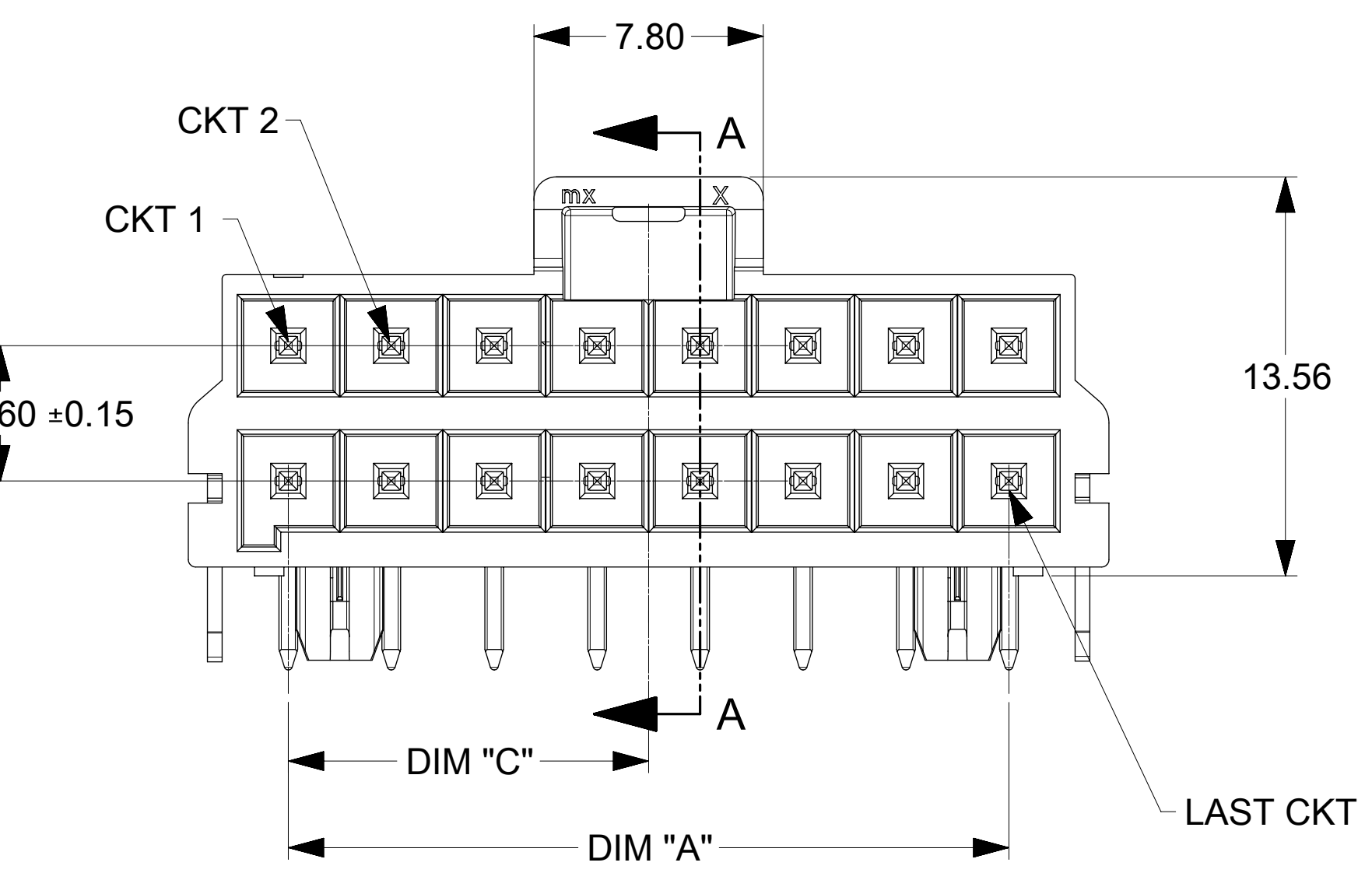
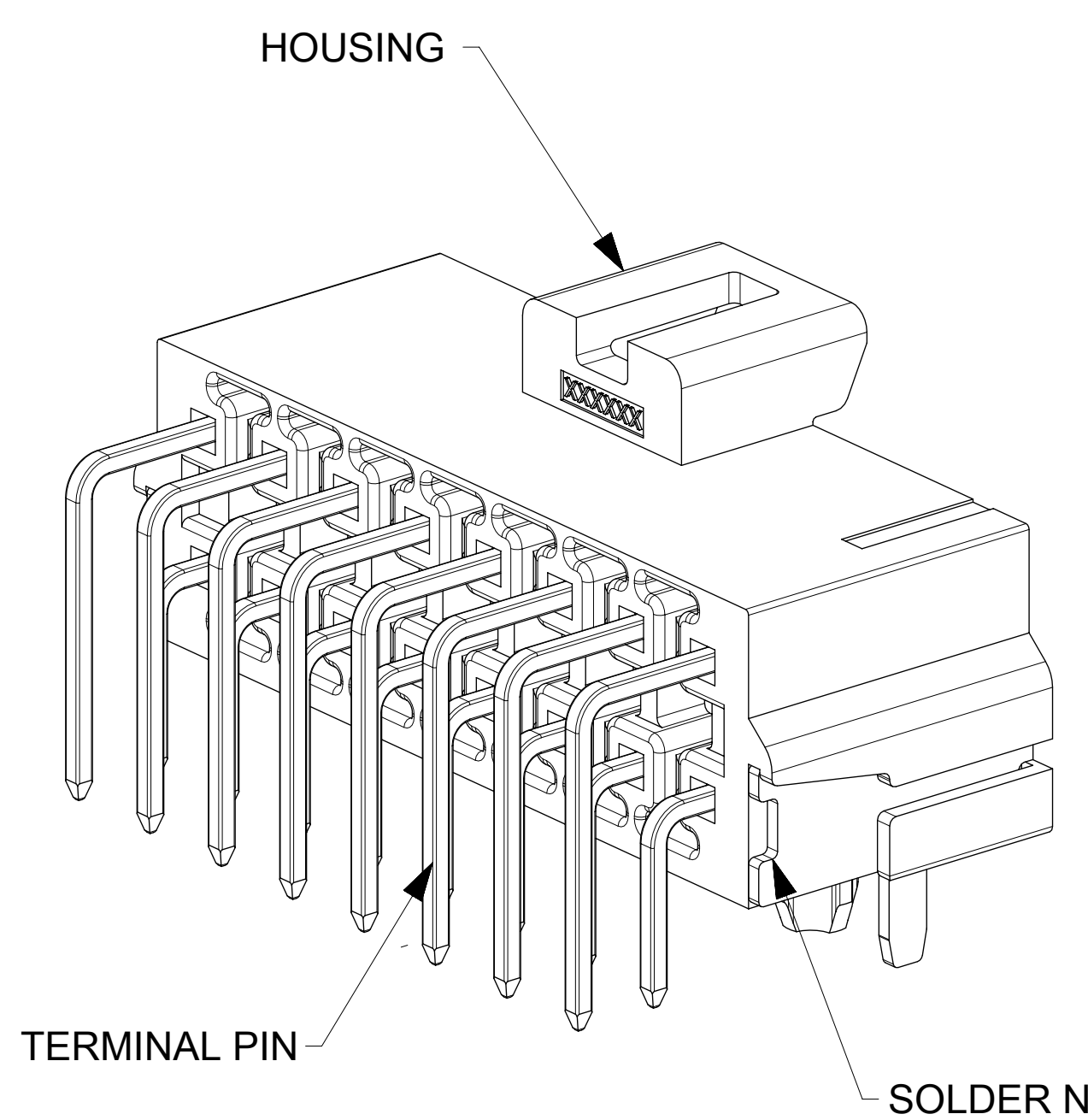
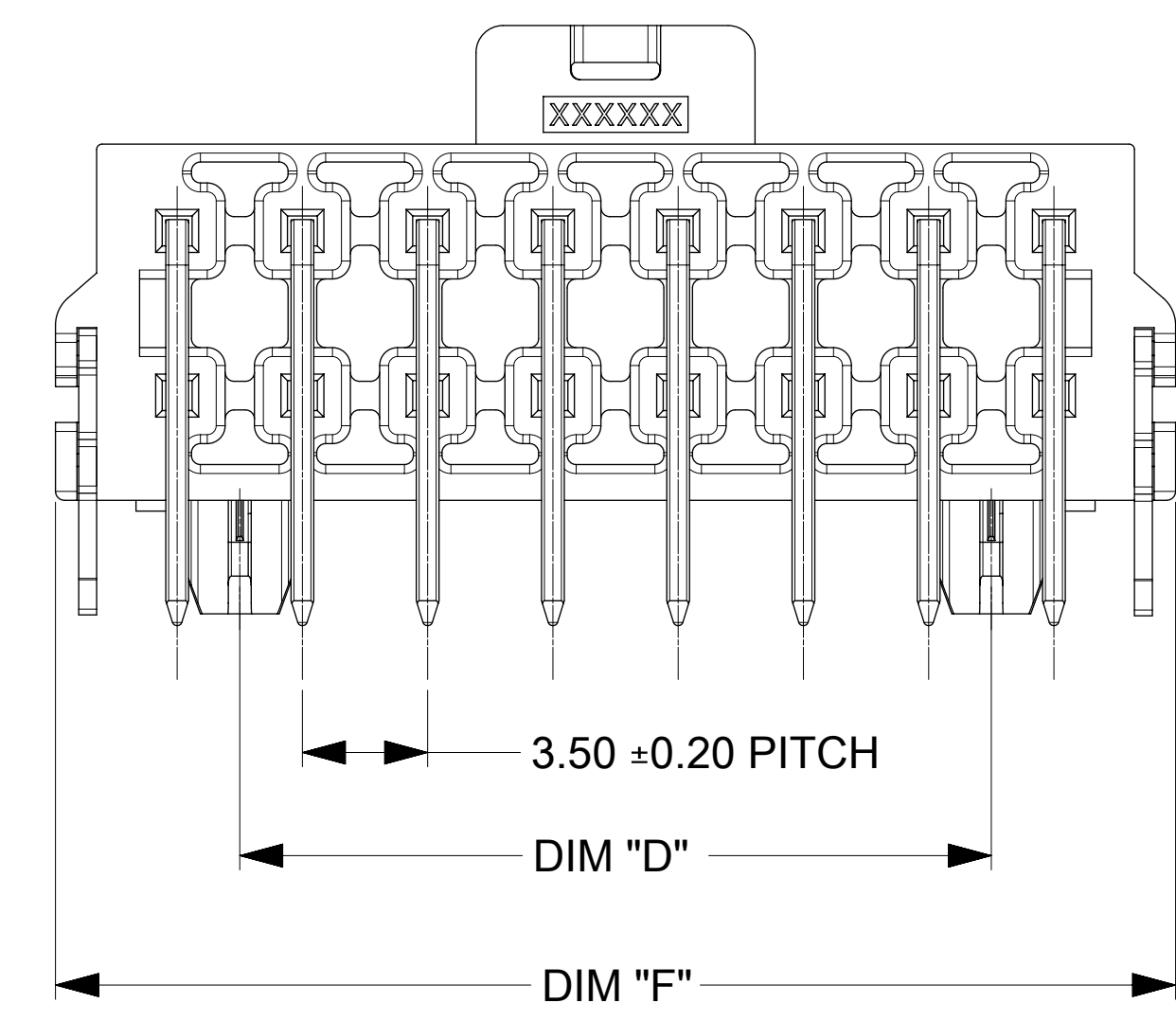


DATE CODE LOCATION
SEE NOTE 6

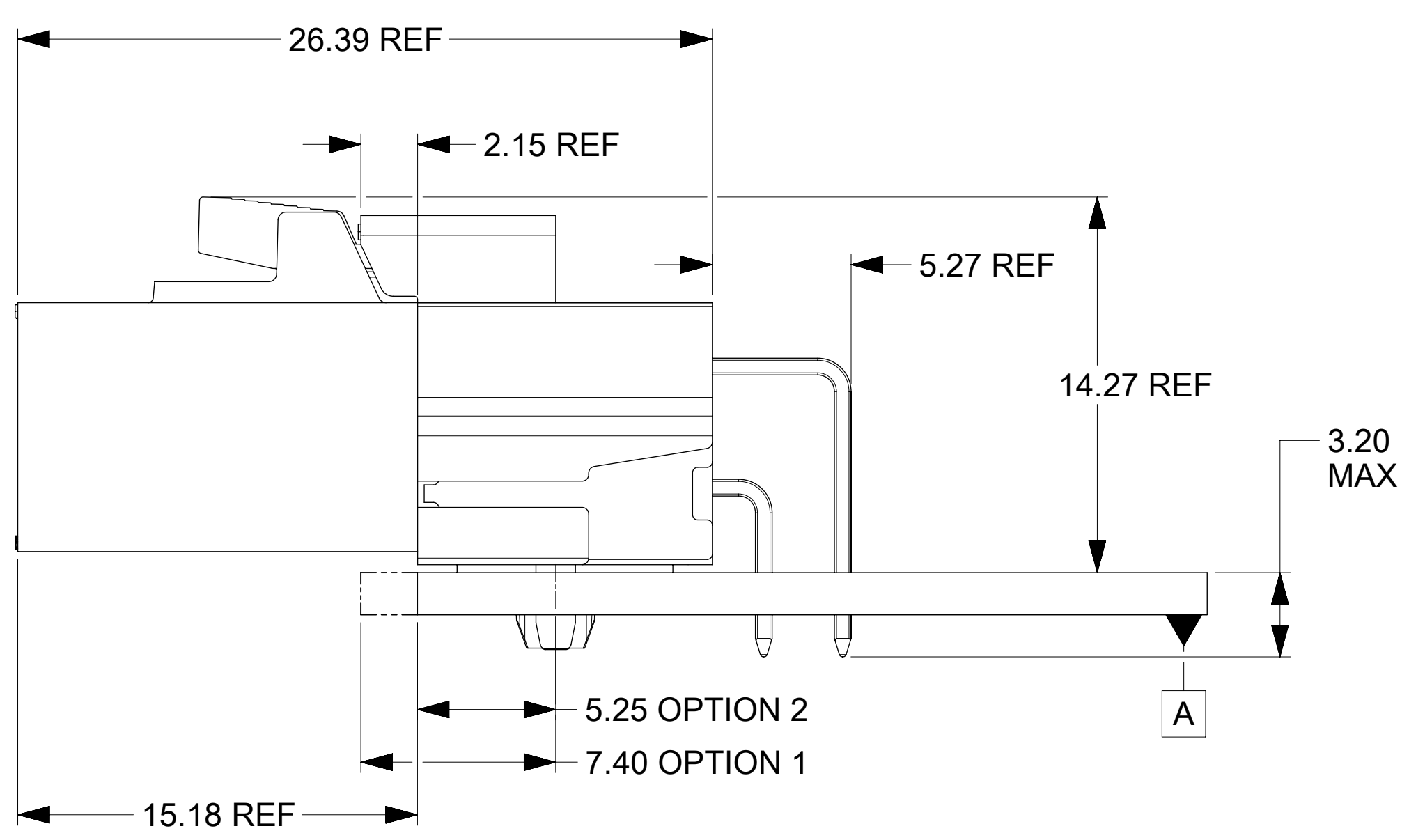


SECTION A-A
SCALE 8:1



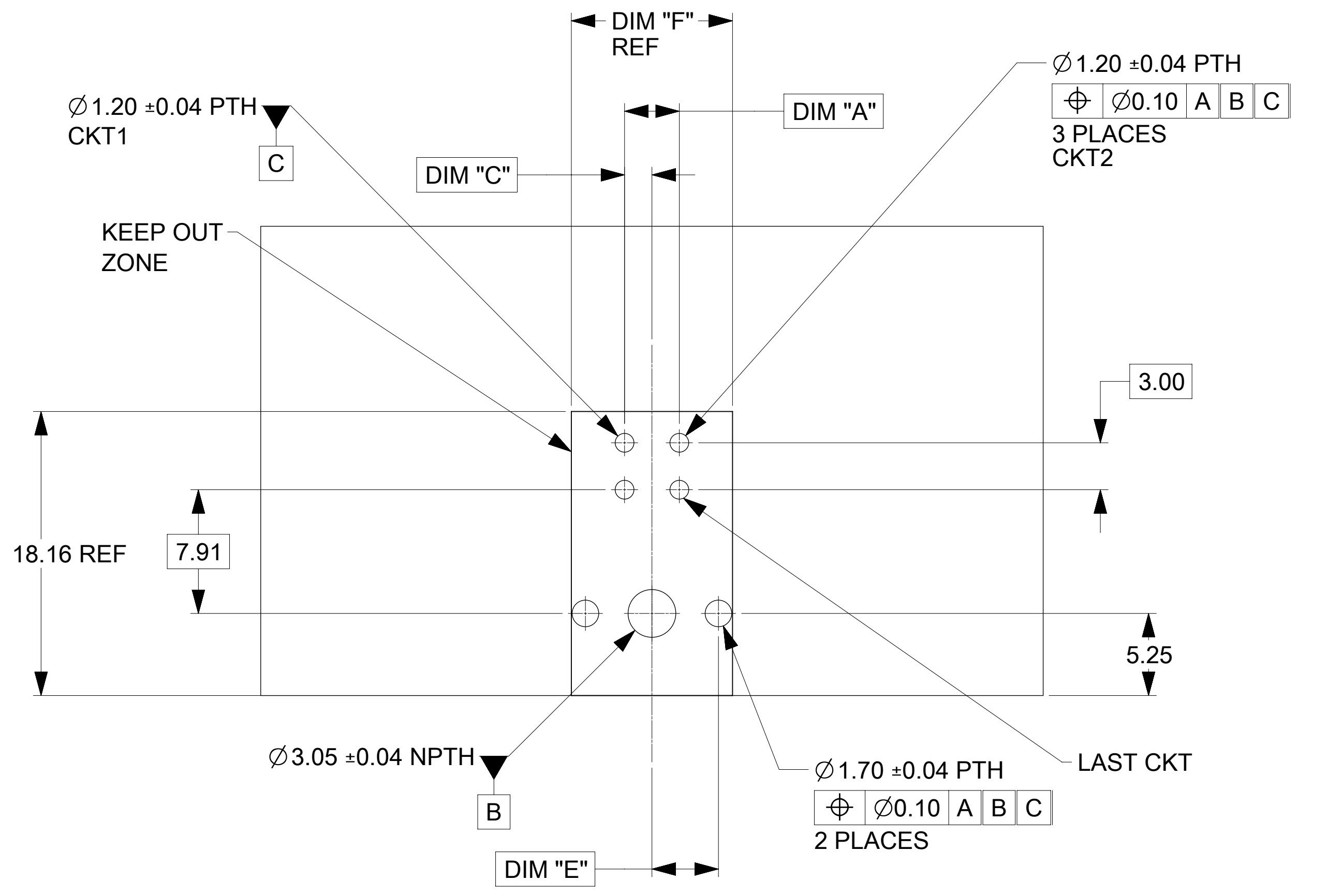
NOTES:

- MATERIAL :
HOUSING:
OPTION 1: LCP BLACK, UL94V-0
OPTION 2: LCP NATURAL, UL94V-0
TERMINAL: COPPER ALLOY
- PLATING FINISH:
OPTION 1 - 1.5µm(60µin)-2.5µm(100µin) REFLOW MATTE TIN OVER
1.25µm(50µin)-2.5µm(100µin) NICKEL OVERALL
OPTION 2 - 0.35µm(15µin) GOLD CONTACT AREA,
1.5µm(60µin)-2.5µm(100µin) MATTE TIN OVER
1.25µm(50µin)-2.5µm(100µin) NICKEL OVERALL
OPTION 3 - 0.70µm(30µin) GOLD CONTACT AREA,
1.5µm(60µin)-2.5µm(100µin) MATTE TIN OVER
1.25µm(50µin)-2.5µm(100µin) NICKEL OVERALL
- PARTS TO BE PACKAGED PER 172316-1114-PK
- PRODUCT SPECIFICATION PS-172323-0001
- PART MATES WITH MOLEX RECEPTACLE HOUSING
172258 AND 172262
- PART CONFORMS TO CLASS "C" REQUIREMENTS OF MOLEX COSMETIC
SPECIFICATION.
PS-45499-002 WITH 0.13 MM MAXIMUM FLASH ALLOWED IN CORE
HOLES AND FRONT SURFACE.
- LASER MARK CODE IN A FORMAT DDD
- PARTS ARE NOT DESIGNED FOR CURRENT SHARING.

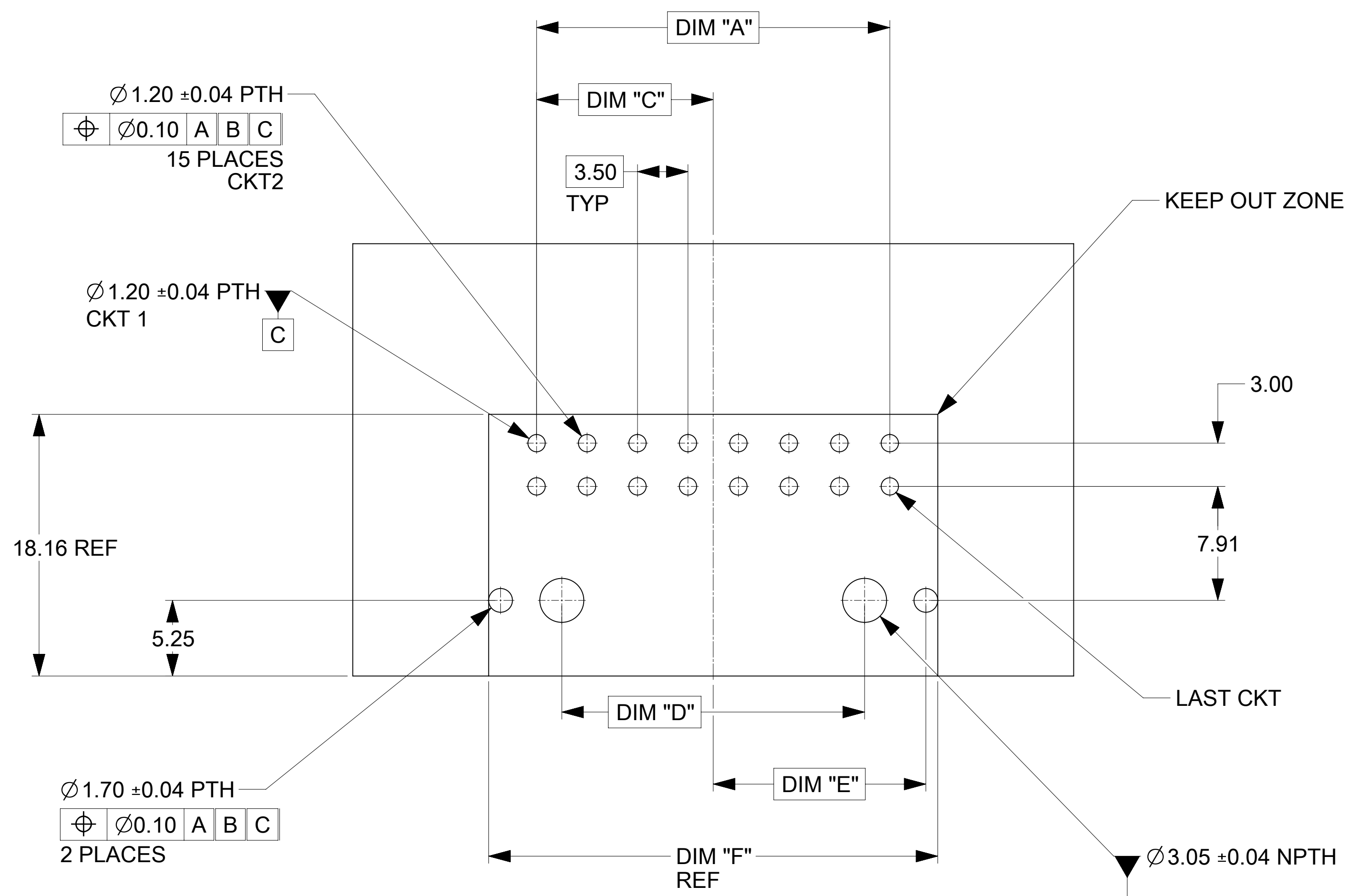


OPTION 1: LATCH FLUSH WITH PCB EDGE
OPTION 2: HOUSING BODY FLUSH WITH PCB EDGE

SYMBOLS	THIS DRAWING CONTAINS INFORMATION THAT IS PROPRIETARY TO MOLEX ELECTRONIC TECHNOLOGIES, LLC AND SHOULD NOT BE USED WITHOUT WRITTEN PERMISSION		CURRENT REV DESC:		molex
	DIMENSION UNITS	SCALE			
▽ = 0	mm	5:1			ULTRA-FIT DR R/A HEAD SN ASSY
▽ = 0	GENERAL TOLERANCES (UNLESS SPECIFIED)				PRODUCT CUSTOMER DRAWING
▽ = 0	ANGULAR TOL	± °			DOCUMENT NUMBER
▽ = 0	4 PLACES	±	EC NO: 762168	2023/09/06	1723162000
▽ = 0	3 PLACES	±	DRWN: LEOW	2024/02/20	PSD 000 E
▽ = 0	2 PLACES	± 0.13	CHK'D: XQZHANG	2016/06/21	DOC TYPE DOC PART REVISION
▽ = 0	1 PLACE	± 0.25	APPR: XQZHANG	2016/06/21	
□ = 0	0 PLACES	±	INITIAL REVISION:		
■ = 0	DRAFT WHERE APPLICABLE MUST REMAIN WITHIN DIMENSIONS		DRWN: PPEREZ03	2016/02/22	
▽ = 0	THIRD ANGLE PROJECTION		APPR: RHODGE	2016/06/21	
	DRAWING		SERIES	MATERIAL NUMBER	CUSTOMER
	D-SIZE		172316		
					SHEET NUMBER
					1 OF 3



PCB LAYOUT 4 CIRCUIT COMPONENT SIDE
RECOMMENDED PCB THICKNESS 1.60MM-2.40MM



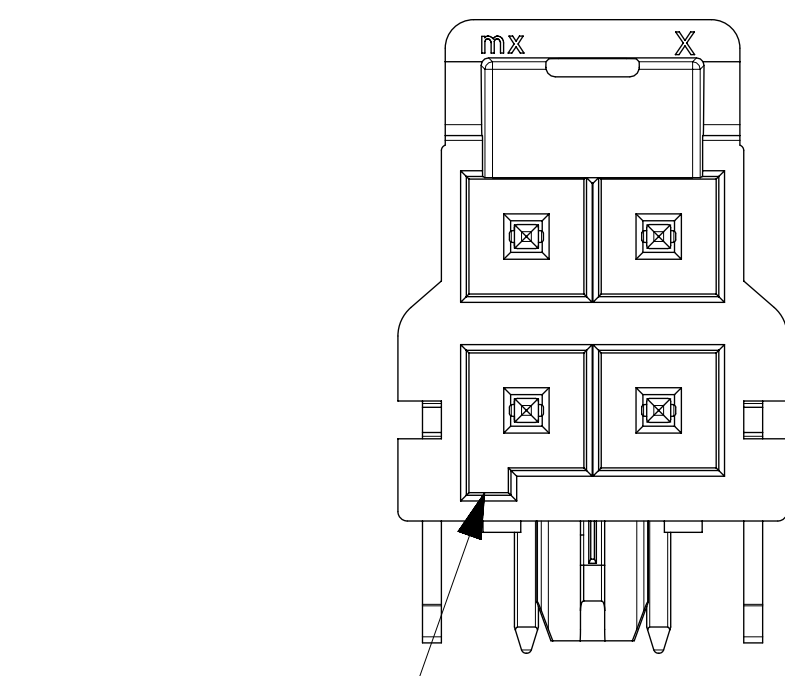
PCB LAYOUT 16 CIRCUIT COMPONENT SIDE
RECOMMENDED PCB THICKNESS 1.60MM-2.40MM

TIN PLATING								
PART NO.	COLOR	CIRCUIT SIZE	KEY OPTION	DIM A	DIM F	DIM C	DIM D	DIM E
172316-3104	BLACK	4	KEY A	3.50	10.30	1.75	0.00	4.25
172316-3106	BLACK	6	KEY A	7.00	13.80	3.50	0.00	6.00
172316-3108	BLACK	8	KEY A	10.50	17.30	5.25	7.00	7.75
172316-3110	BLACK	10	KEY A	14.00	20.80	7.00	10.50	9.50
172316-3112	BLACK	12	KEY A	17.50	24.30	8.75	14.00	11.25
172316-3114	BLACK	14	KEY A	21.00	27.80	10.50	17.50	13.00
172316-3116	BLACK	16	KEY A	24.50	31.30	12.25	21.00	14.75
172316-4104	NATURAL	4	KEY B	3.50	10.30	1.75	0.00	4.25
172316-4106	NATURAL	6	KEY B	7.00	13.80	3.50	0.00	6.00
172316-4108	NATURAL	8	KEY B	10.50	17.30	5.25	7.00	7.75
172316-4110	NATURAL	10	KEY B	14.00	20.80	7.00	10.50	9.50
172316-4112	NATURAL	12	KEY B	17.50	24.30	8.75	14.00	11.25
172316-4114	NATURAL	14	KEY B	21.00	27.80	10.50	17.50	13.00
172316-4116	NATURAL	16	KEY B	24.50	31.30	12.25	21.00	14.75

15 MICROINCH GOLD PLATING								
PART NO.	COLOR	CIRCUIT SIZE	KEY OPTION	DIM A	DIM F	DIM C	DIM D	DIM E
172316-3204	BLACK	4	KEY A	3.50	10.30	1.75	0.00	4.25
172316-3206	BLACK	6	KEY A	7.00	13.80	3.50	0.00	6.00
172316-3208	BLACK	8	KEY A	10.50	17.30	5.25	7.00	7.75
172316-3210	BLACK	10	KEY A	14.00	20.80	7.00	10.50	9.50
172316-3212	BLACK	12	KEY A	17.50	24.30	8.75	14.00	11.25
172316-3214	BLACK	14	KEY A	21.00	27.80	10.50	17.50	13.00
172316-3216	BLACK	16	KEY A	24.50	31.30	12.25	21.00	14.75
172316-4204	NATURAL	4	KEY B	3.50	10.30	1.75	0.00	4.25
172316-4206	NATURAL	6	KEY B	7.00	13.80	3.50	0.00	6.00
172316-4208	NATURAL	8	KEY B	10.50	17.30	5.25	7.00	7.75
172316-4210	NATURAL	10	KEY B	14.00	20.80	7.00	10.50	9.50
172316-4212	NATURAL	12	KEY B	17.50	24.30	8.75	14.00	11.25
172316-4214	NATURAL	14	KEY B	21.00	27.80	10.50	17.50	13.00
172316-4216	NATURAL	16	KEY B	24.50	31.30	12.25	21.00	14.75

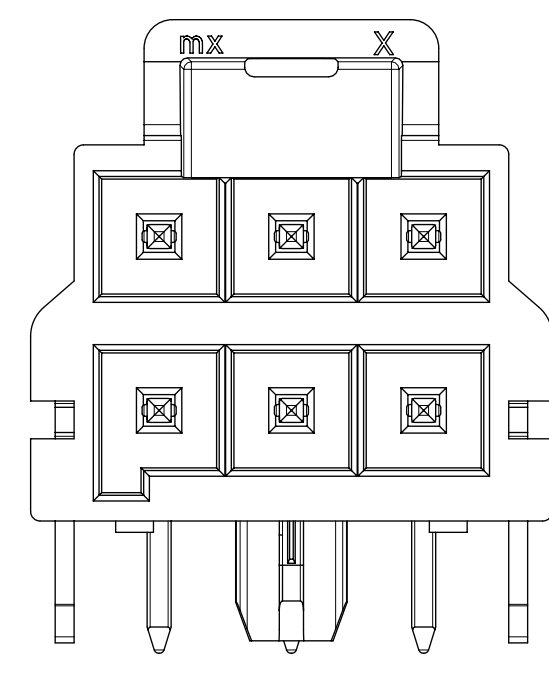
30 MICROINCH GOLD PLATING								
PART NO.	COLOR	CIRCUIT SIZE	KEY OPTION	DIM A	DIM F	DIM C	DIM D	DIM E
172316-3304	BLACK	4	KEY A	3.50	10.30	1.75	0.00	4.25
172316-3306	BLACK	6	KEY A	7.00	13.80	3.50	0.00	6.00
172316-3308	BLACK	8	KEY A	10.50	17.30	5.25	7.00	7.75
172316-3310	BLACK	10	KEY A	14.00	20.80	7.00	10.50	9.50
172316-3312	BLACK	12	KEY A	17.50	24.30	8.75	14.00	11.25
172316-3314	BLACK	14	KEY A	21.00	27.80	10.50	17.50	13.00
172316-3316	BLACK	16	KEY A	24.50	31.30	12.25	21.00	14.75
172316-4304	NATURAL	4	KEY B	3.50	10.30	1.75	0.00	4.25
172316-4306	NATURAL	6	KEY B	7.00	13.80	3.50	0.00	6.00
172316-4308	NATURAL	8	KEY B	10.50	17.30	5.25	7.00	7.75
172316-4310	NATURAL	10	KEY B	14.00	20.80	7.00	10.50	9.50
172316-4312	NATURAL	12	KEY B	17.50	24.30	8.75	14.00	11.25
172316-4314	NATURAL	14	KEY B	21.00	27.80	10.50	17.50	13.00
172316-4316	NATURAL	16	KEY B	24.50	31.30	12.25	21.00	14.75

SYMBOLS	THIS DRAWING CONTAINS INFORMATION THAT IS PROPRIETARY TO MOLEX ELECTRONIC TECHNOLOGIES, LLC AND SHOULD NOT BE USED WITHOUT WRITTEN PERMISSION		CURRENT REV DESC:		
	DIMENSION UNITS	SCALE			
▽ = 0	mm	5:1			ULTRA-FIT DR R/A HEAD SN ASSY
▽ = 0	GENERAL TOLERANCES (UNLESS SPECIFIED)				
▽ = 0	ANGULAR TOL ± °				PRODUCT CUSTOMER DRAWING
▽ = 0	4 PLACES ±				
▽ = 0	3 PLACES ±				DOCUMENT NUMBER: 1723162000
▽ = 0	2 PLACES ± 0.13				
▽ = 0	1 PLACE ± 0.25				DOC TYPE: PSD DOC PART: 000 REVISION: E
▽ = 0	0 PLACES ±				
☒ = 0	DRAFT WHERE APPLICABLE MUST REMAIN WITHIN DIMENSIONS		THIRD ANGLE PROJECTION	DRAWING SERIES	MATERIAL NUMBER: 172316 CUSTOMER:
■ = 0				D-SIZE 172316	
▽ = 0					SHEET NUMBER: 2 OF 3

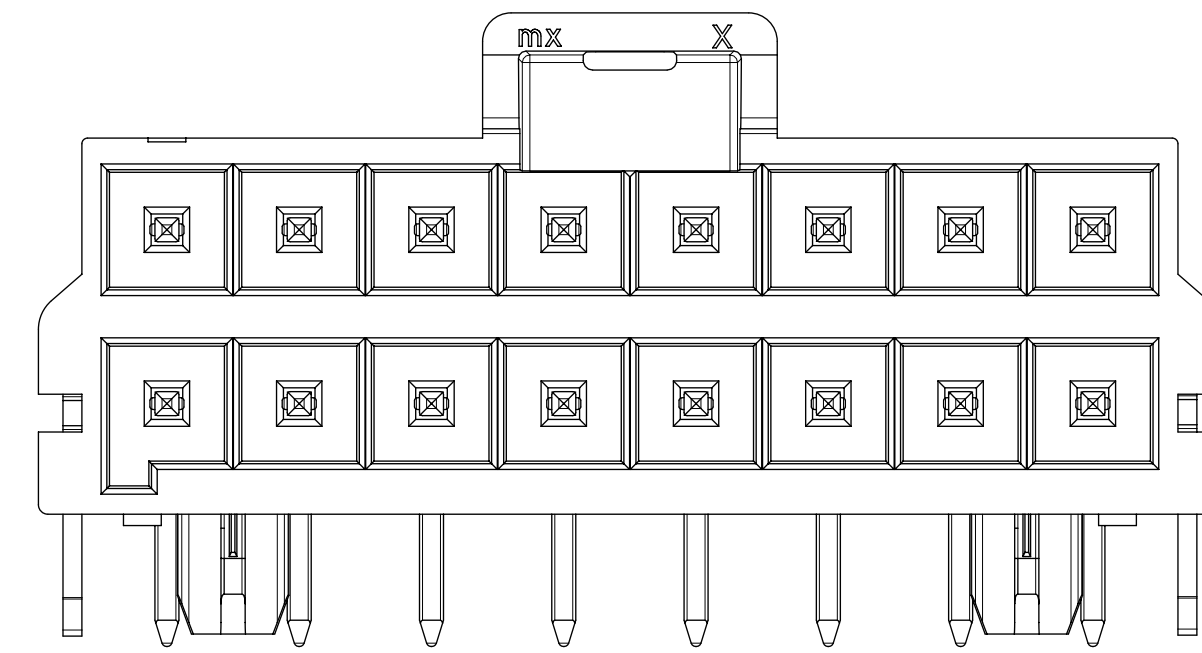
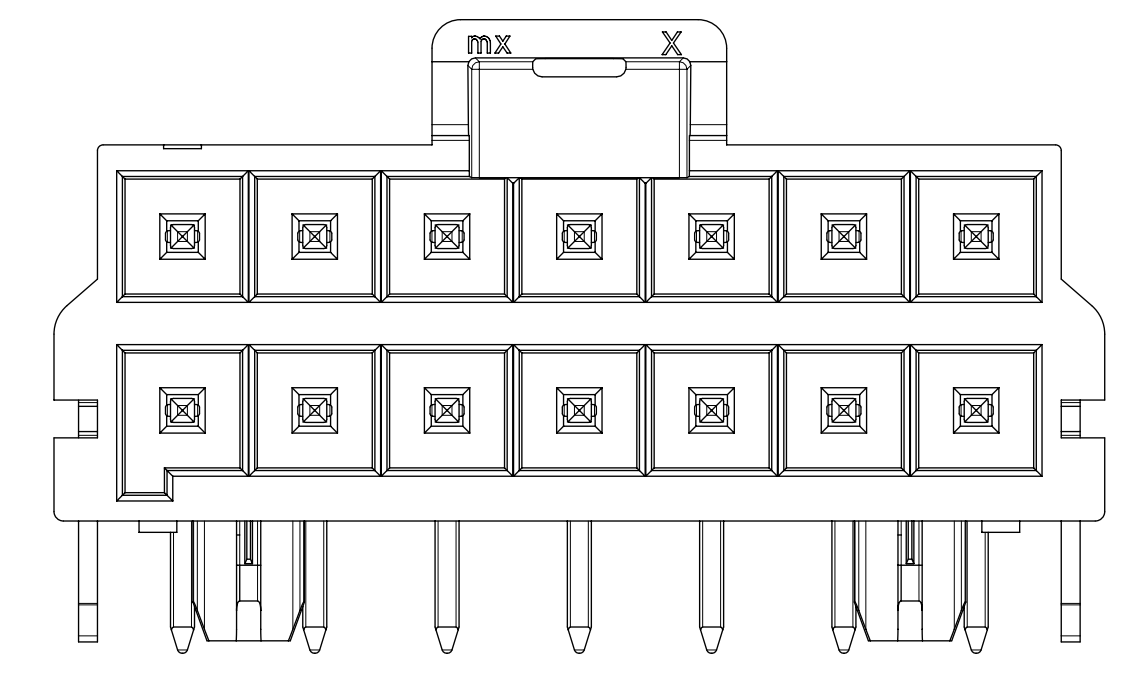
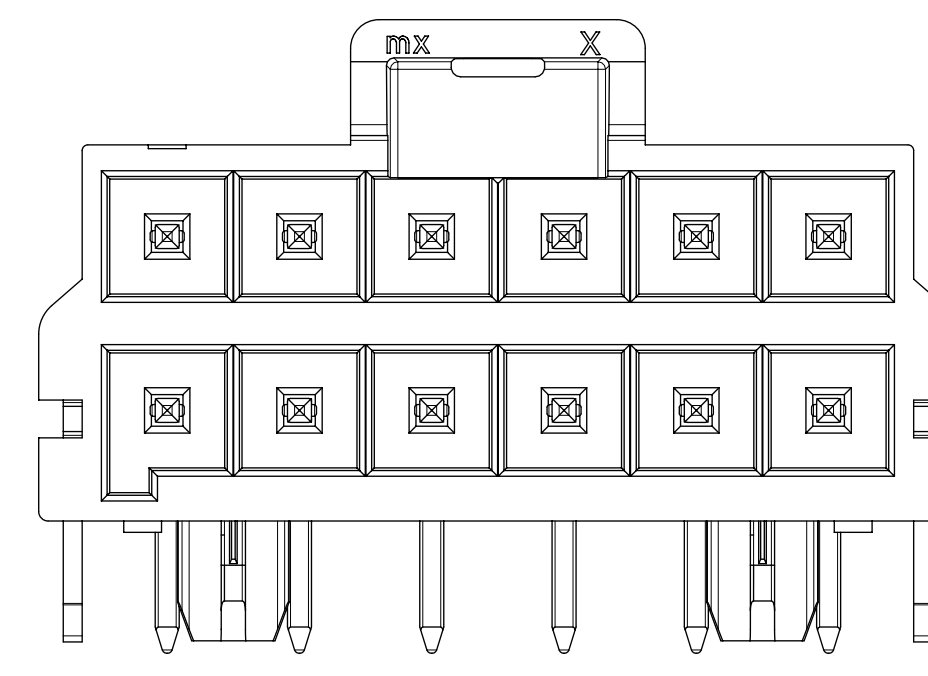
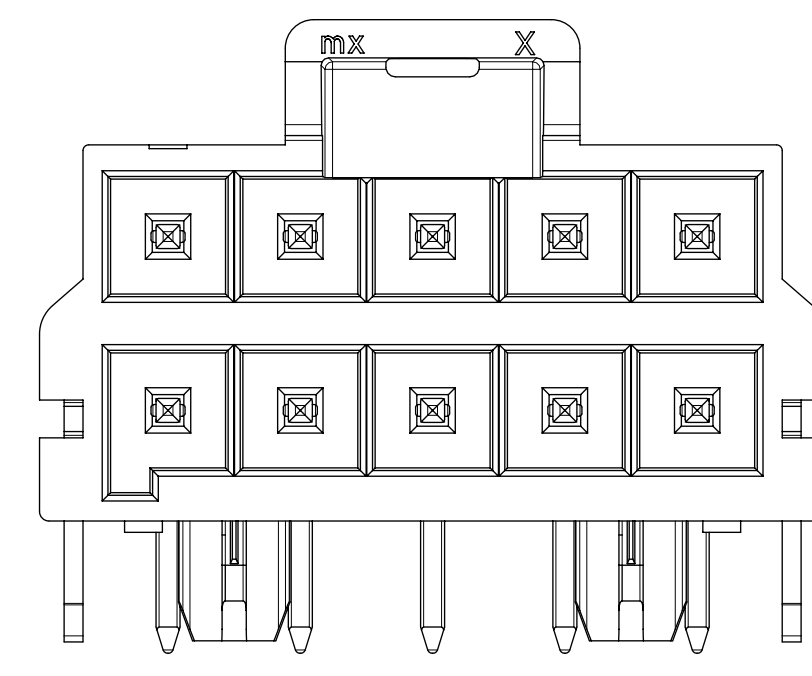
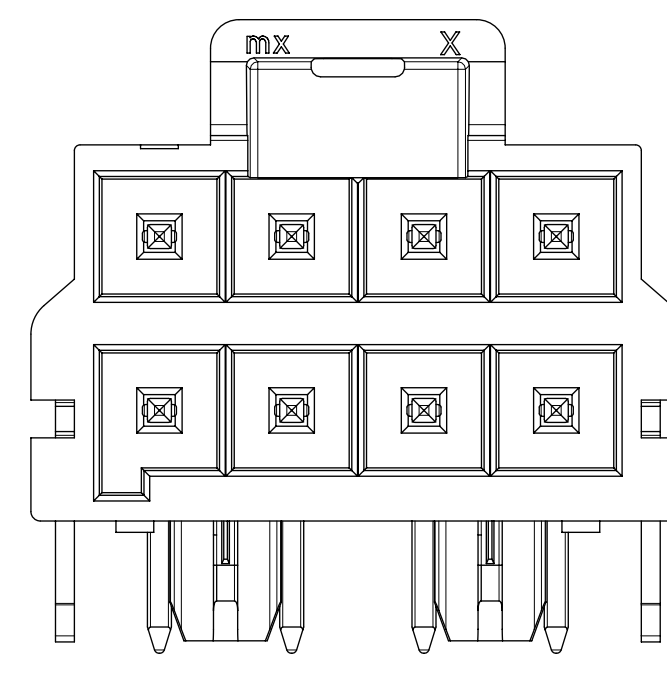


4CKT

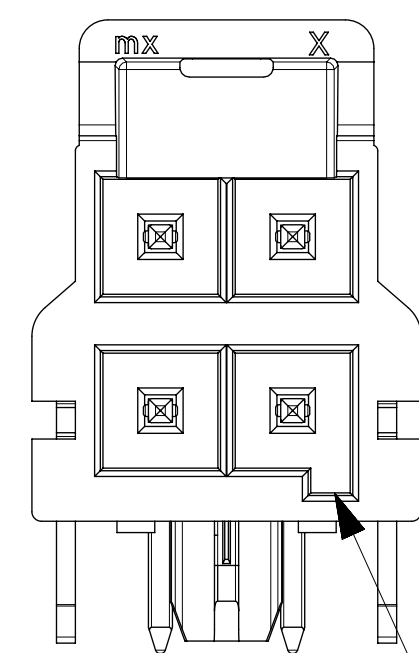
KEY A (BLACK)



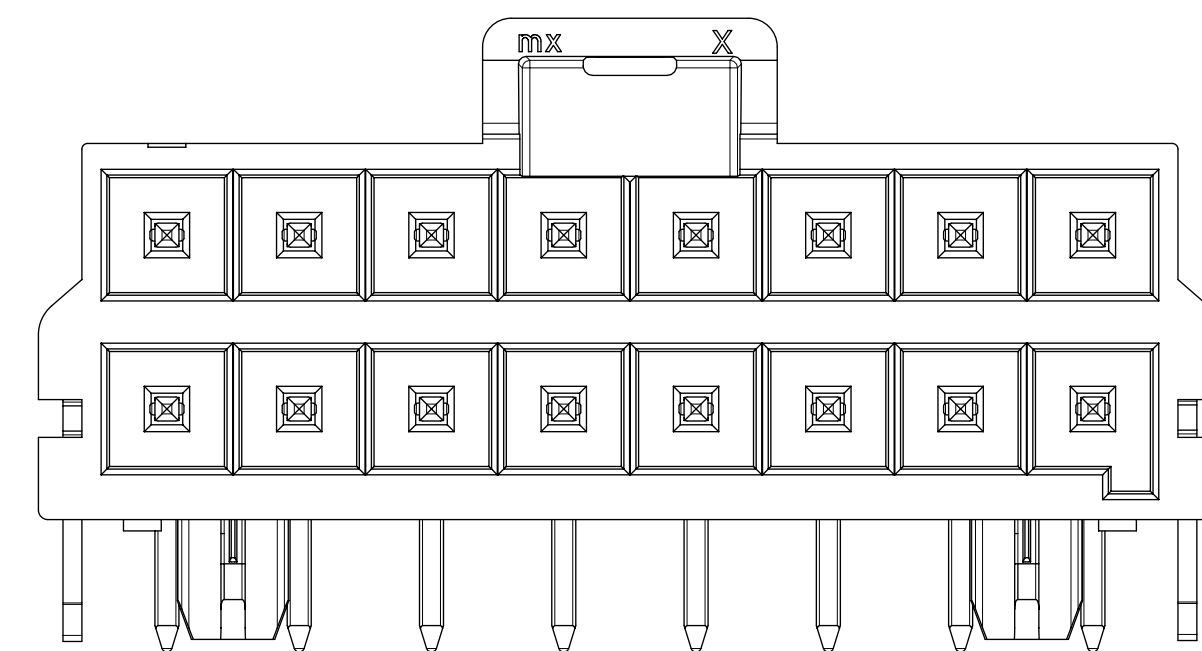
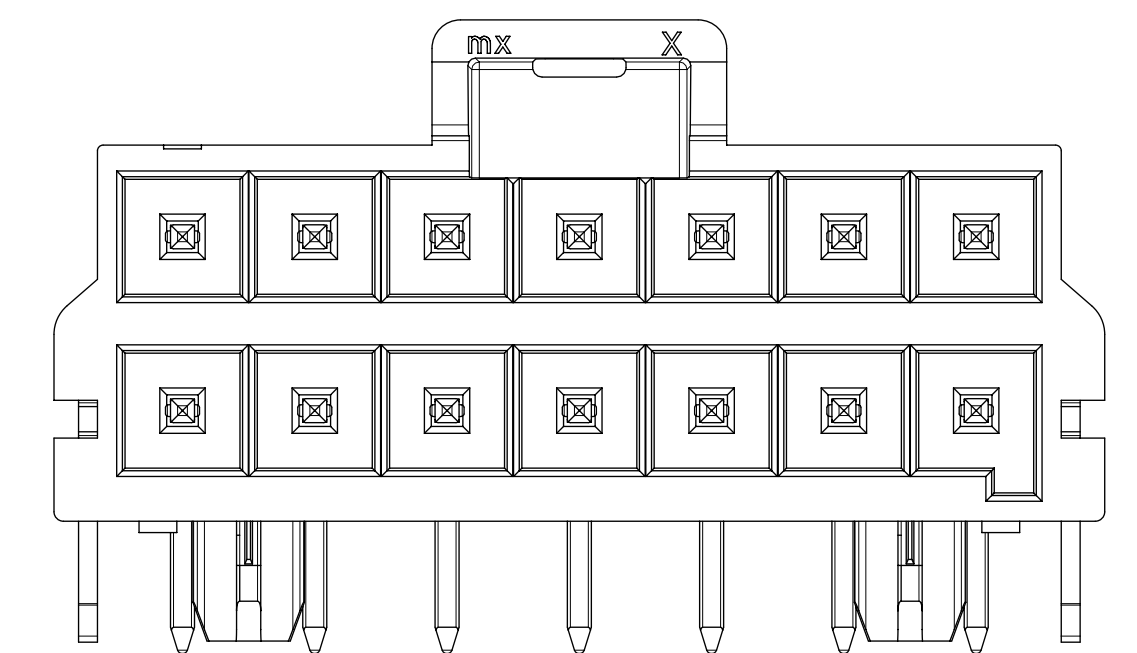
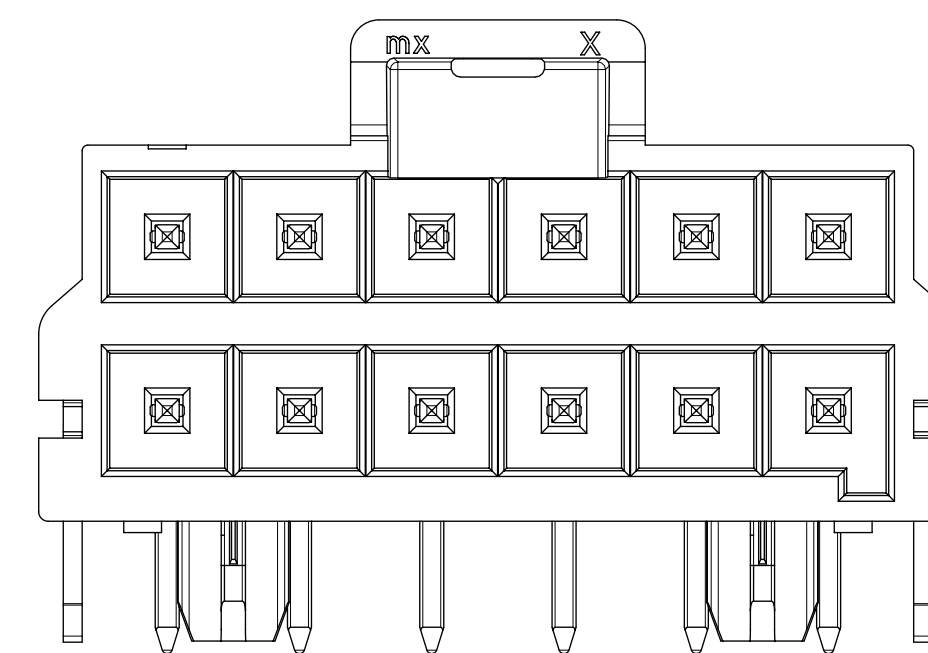
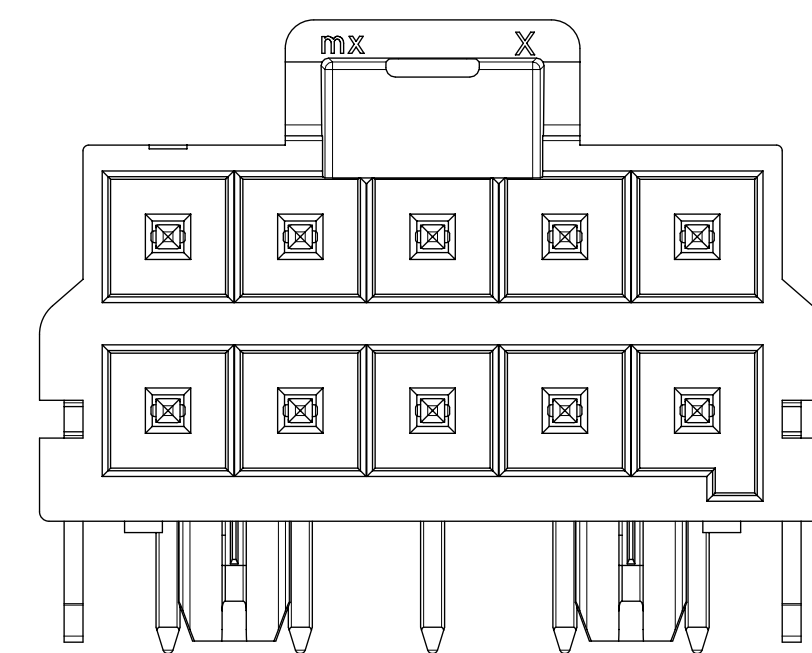
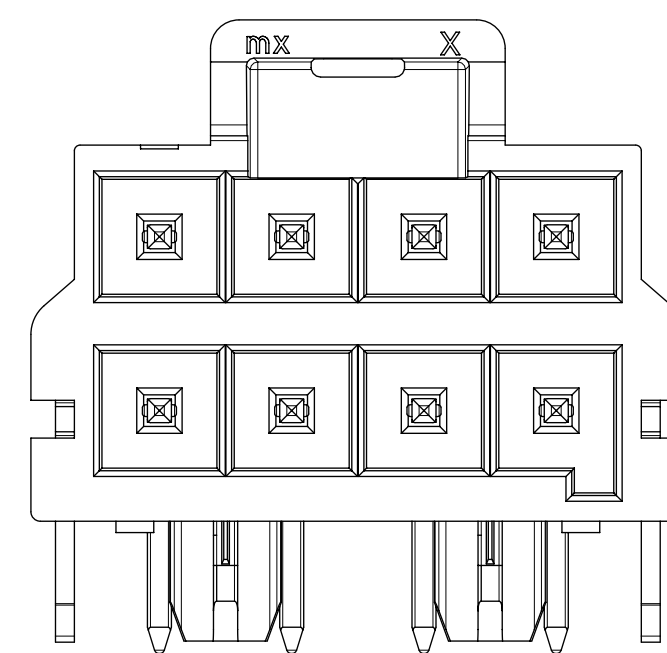
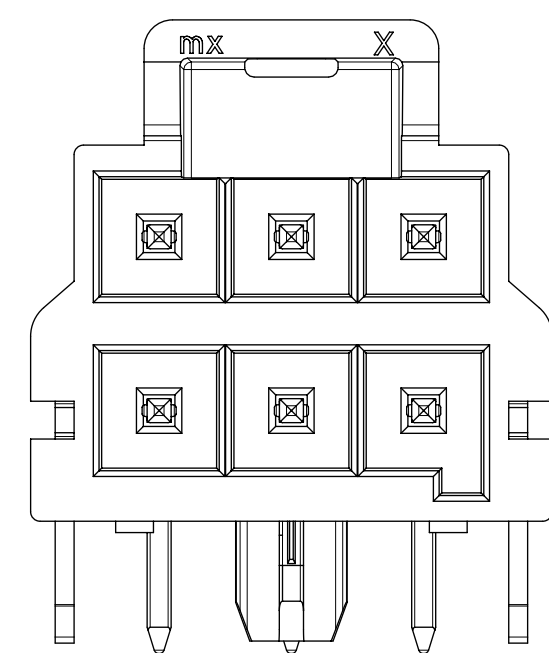
6CKT



BLACK



KEY B (BLACK)



NATURAL

COLOR-POLARIZATION

SYMBOLS	THIS DRAWING CONTAINS INFORMATION THAT IS PROPRIETARY TO MOLEX ELECTRONIC TECHNOLOGIES, LLC AND SHOULD NOT BE USED WITHOUT WRITTEN PERMISSION		CURRENT REV DESC:		
	DIMENSION UNITS	SCALE			
▽ = 0	mm	5:1			ULTRA-FIT DR R/A HEAD SN ASSY
▽ = 0	GENERAL TOLERANCES (UNLESS SPECIFIED)				PRODUCT CUSTOMER DRAWING
▽ = 0	ANGULAR TOL	± °			DOCUMENT NUMBER
▽ = 0	4 PLACES	±	EC NO: 762168	2023/09/06	1723162000
▽ = 0	3 PLACES	±	DRWN: LEOW	2024/02/20	PSD
▽ = 0	2 PLACES	± 0.13	CHK'D: XQZHANG	2024/02/20	000
▽ = 0	1 PLACE	± 0.25	APPR: XQZHANG		E
⊠ = 0	0 PLACES	±	INITIAL REVISION:		
■ = 0	DRAFT WHERE APPLICABLE MUST REMAIN WITHIN DIMENSIONS		DRWN: PPerez03	2016/02/22	
▽ = 0	THIRD ANGLE PROJECTION		APPR: RHODGE	2016/06/21	
	DRAWING		SERIES		MATERIAL NUMBER
	D-SIZE		172316		CUSTOMER
					SHEET NUMBER
					3 OF 3