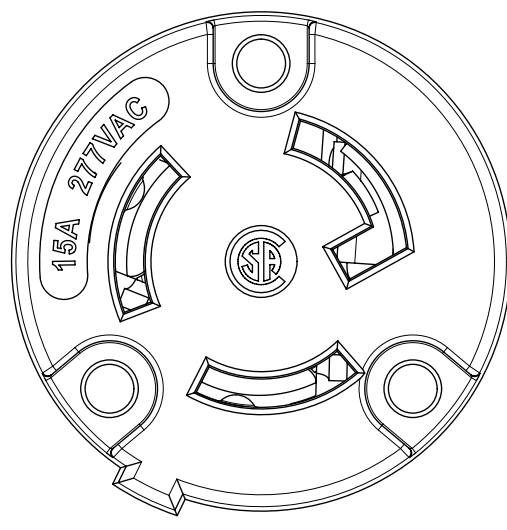
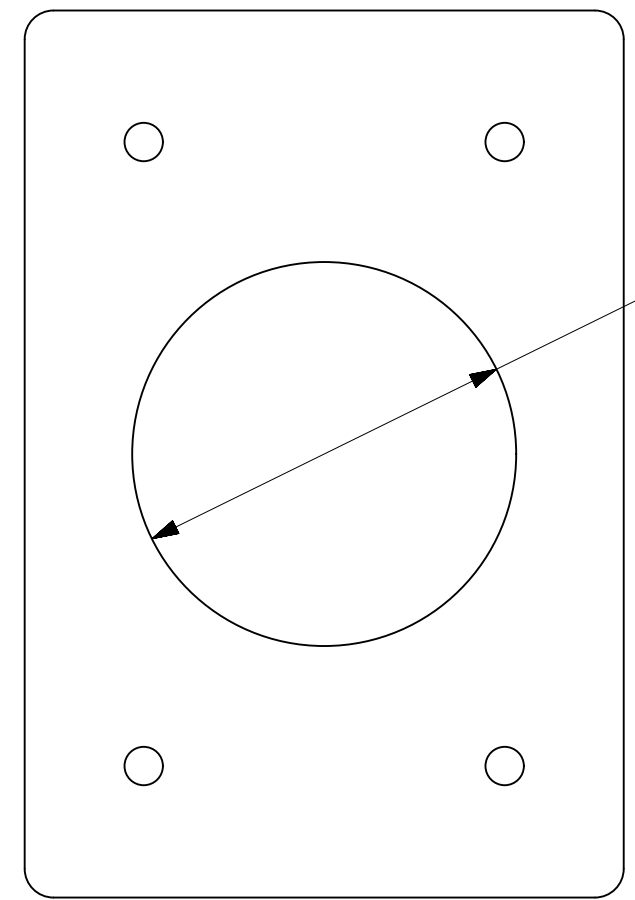
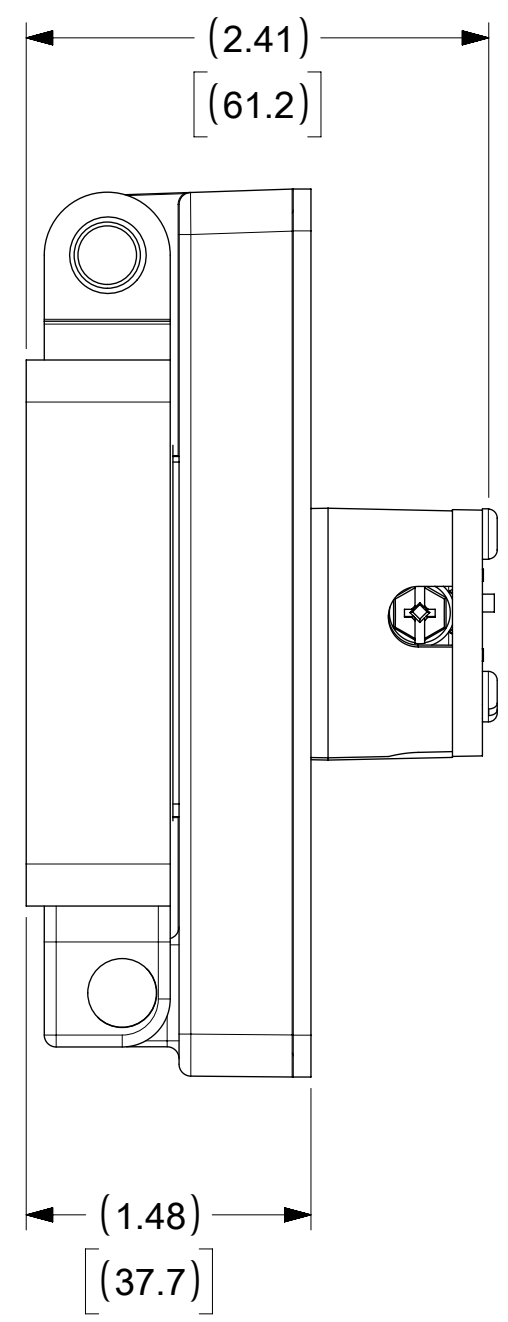
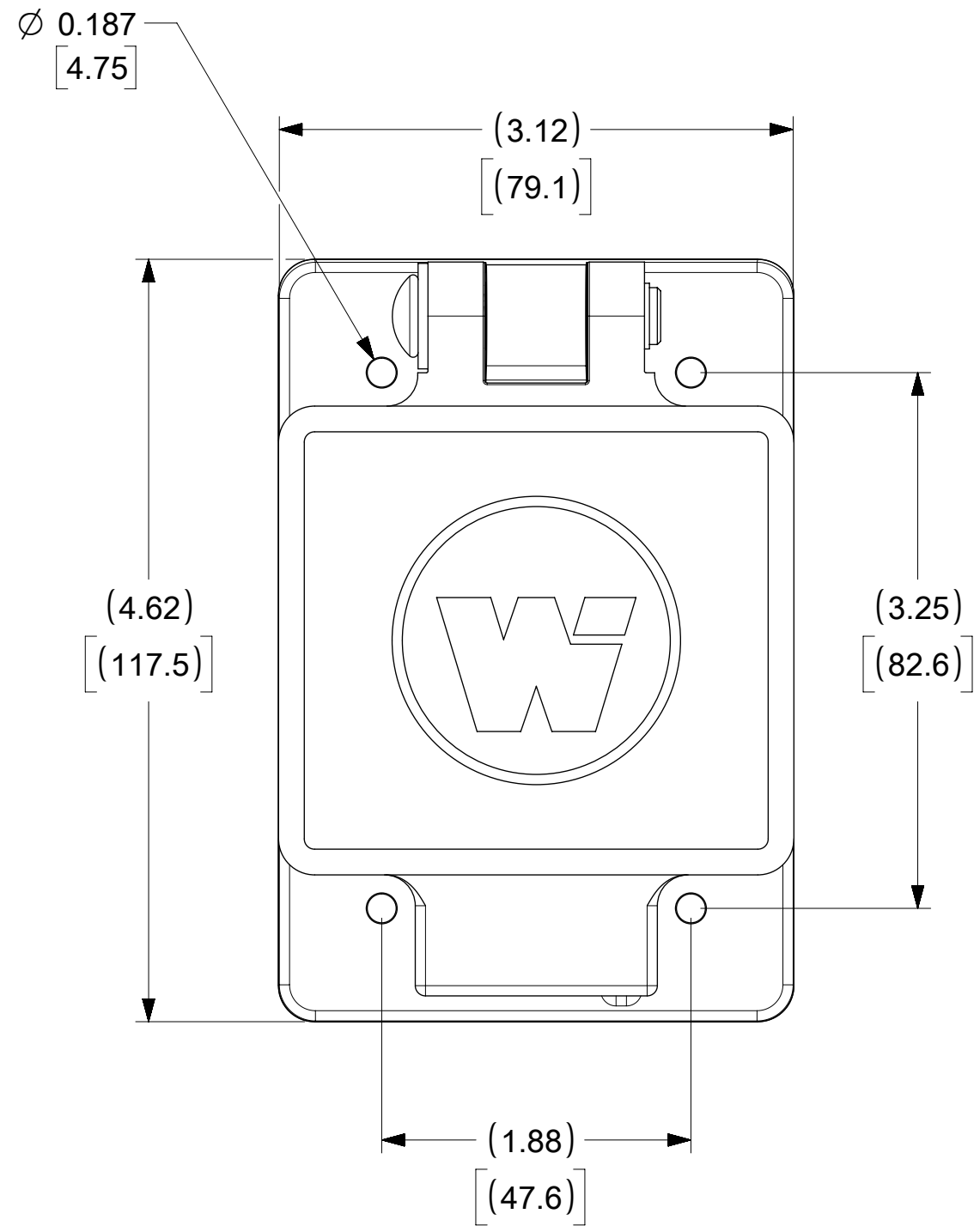
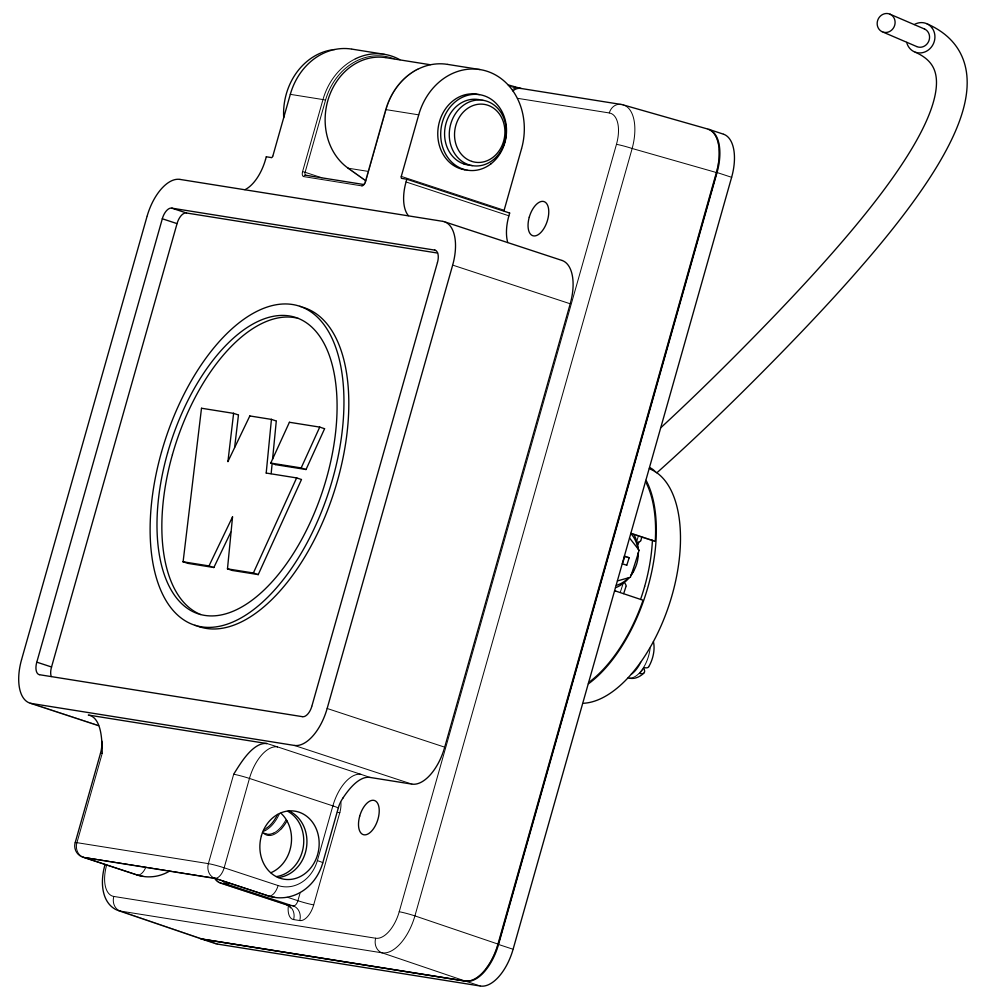


| | | |
|-------------|--------------|--------|
| ORDER NO. | WOODHEAD NO. | COLOR |
| 130146-0147 | 65W34 | YELLOW |



FACE VIEW



CLEARANCE HOLE (FOR PANEL MOUNT)

| DESCRIPTION | MATERIAL | QTY. |
|--------------------------------|--|------|
| BLADES | BRASS, NICKEL PLATED | 3 |
| RETAINING SCREWS | STAINLESS STEEL | 3 |
| CLAMP AND TERMINAL SCREW ASSY. | BRASS, ZINC PLATED | 3 |
| FEMALE INSERT | NYLON | 1 |
| TERMINAL COVER | POLYCARBONATE | 1 |
| COVER ASSEMBLY | POLYCARBONATE, STAINLESS STEEL, ALUMINUM | 1 |
| GASKET FLIP | NEOPRENE | 1 |
| SUPPORT PLATE | STAINLESS STEEL | 1 |
| SCREW (GROUND WIRE) | STAINLESS STEEL | 1 |
| JUMPER WIRE ASSY | COPPER, BRASS (TINNED FINISH) | 1 |

| | | | | | | | | | |
|---|--|--|--|-------|--|--|--|--|--|
| THIS DRAWING CONTAINS INFORMATION THAT IS PROPRIETARY TO MOLEX ELECTRONIC TECHNOLOGIES, LLC AND SHOULD NOT BE USED WITHOUT WRITTEN PERMISSION | | | | | | | | | |
| SYMBOLS | | DIMENSION UNITS | | SCALE | | CURRENT REV DESC: MIGRATE TO ECTR/NX | | | |
| = 0 | | INCH[MM] | | NTS | | <p>EC NO: 613607</p> <p>DRWN: SRPATIL 2019/01/10</p> <p>CHK'D: DNGUYEN62 2019/03/14</p> <p>APPR: HKNEELAND 2019/03/22</p> <p>INITIAL REVISION:</p> <p>DRWN: SRPATIL 2019/01/10</p> <p>APPR: HKNEELAND 2019/03/22</p> | | | |
| = 0 | | GENERAL TOLERANCES (UNLESS SPECIFIED) | | | | | | | |
| = 0 | | MM | | INCH | | | | | |
| = 0 | | 4 PLACES ± | | ± | | | | | |
| = 0 | | 3 PLACES ± | | ± | | <p>PRODUCT CUSTOMER DRAWING</p> <p>DOCUMENT NUMBER: 1301460147</p> <p>DOC TYPE: PSD</p> <p>DOC PART: 000</p> <p>REVISION: A</p> | | | |
| = 0 | | 2 PLACES ± | | ± | | | | | |
| = 0 | | 1 PLACE ± | | ± | | <p>MATERIAL NUMBER: SEE TABLE</p> <p>CUSTOMER: GENERAL MARKET</p> <p>SHEET NUMBER: 1 OF 1</p> | | | |
| = 0 | | 0 PLACES ± | | ± | | | | | |
| = 0 | | ANGULAR TOL ± ° | | ° | | <p>THIRD ANGLE PROJECTION</p> <p>DRAWING: C-SIZE</p> <p>SERIES: 130146</p> | | | |
| = 0 | | DRAFT WHERE APPLICABLE MUST REMAIN WITHIN DIMENSIONS | | | | | | | |