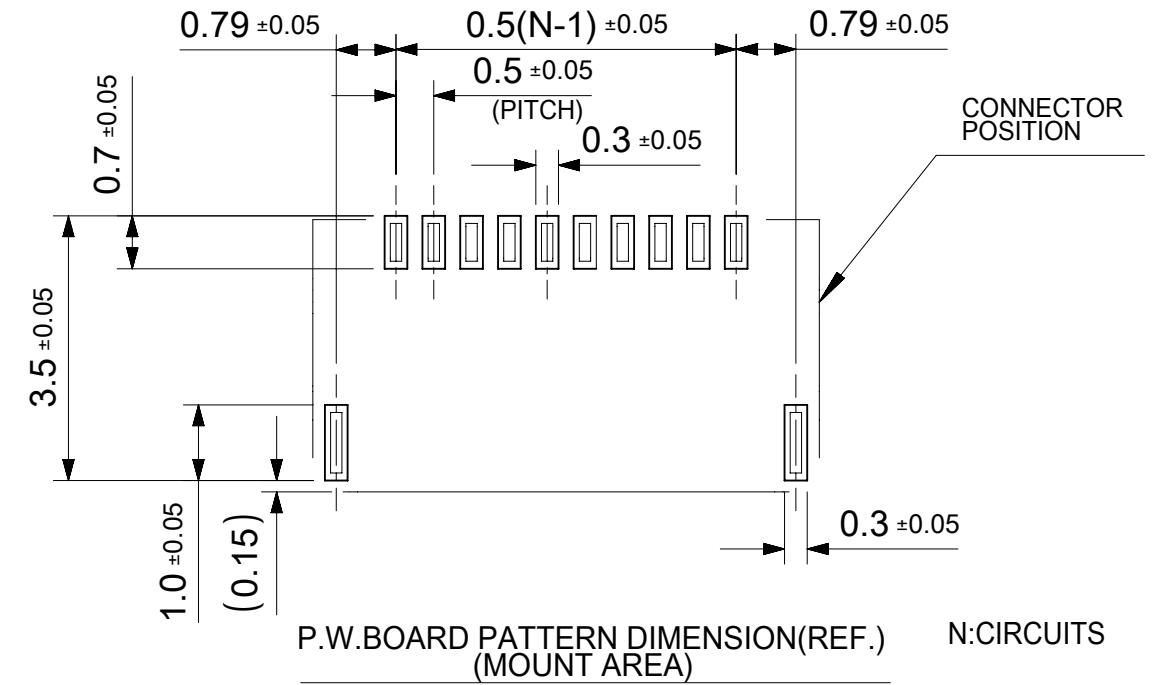
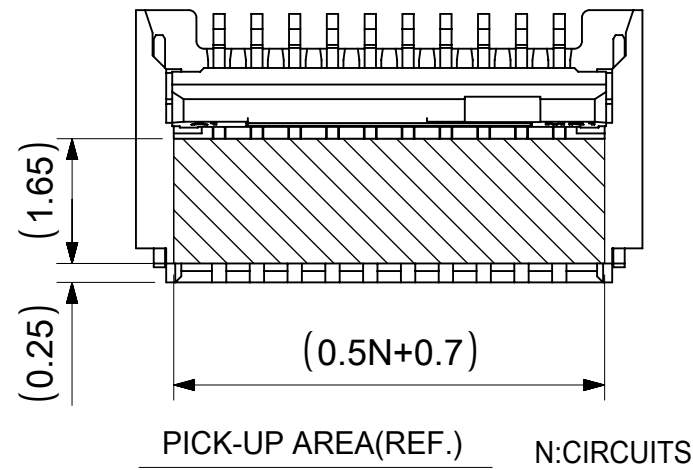
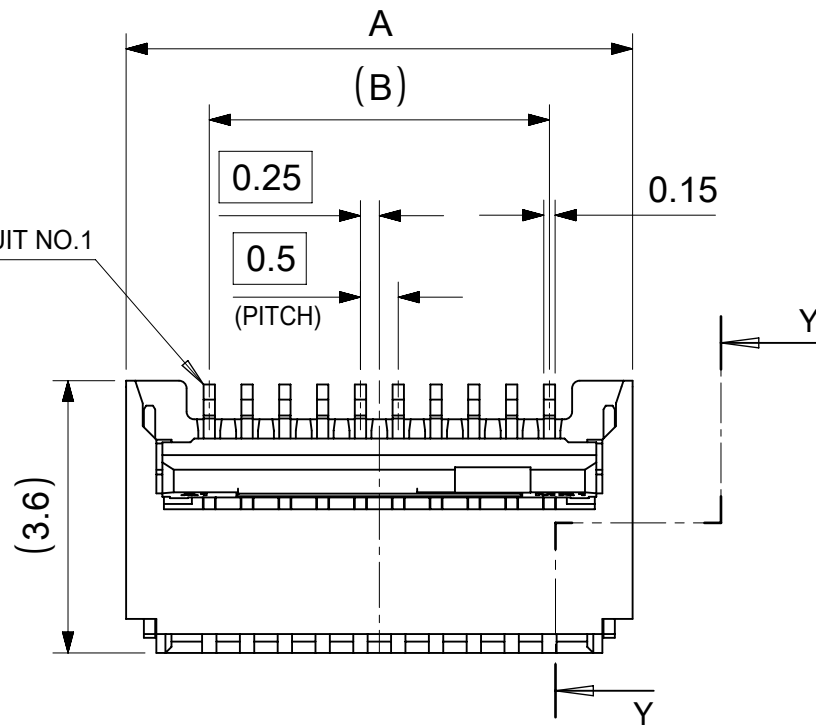
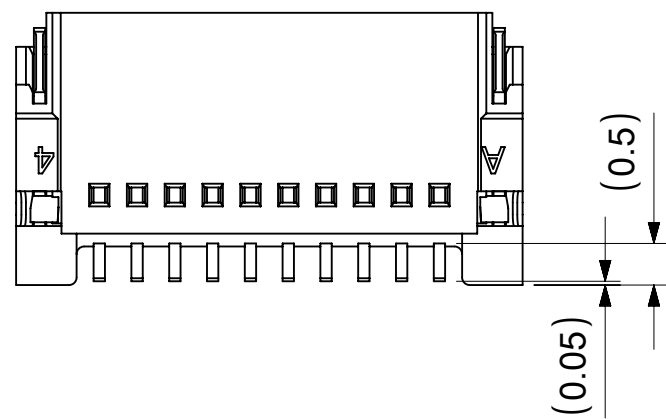
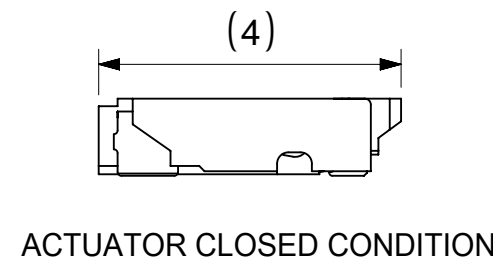
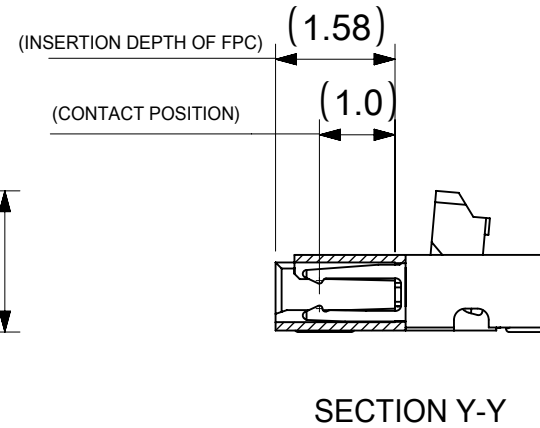
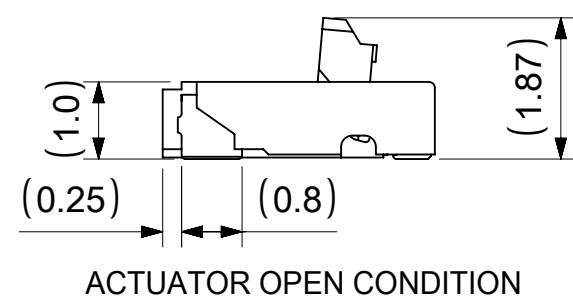
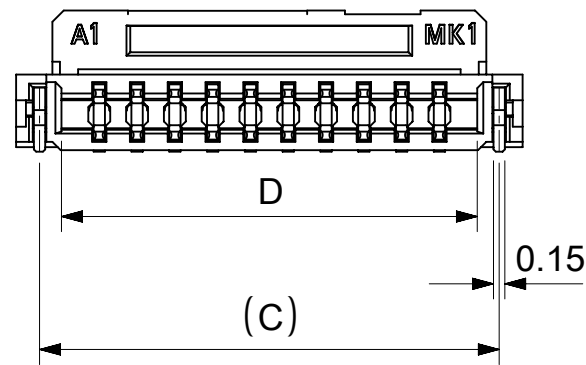


CIRCUIT NO.1



METAL MASK THICKNESS : 0.1mm
 OPENING AREA : TERM.(0.7X0.3)
 NAIL(1.0X0.3)



| | | | | | |
|------|-------|------|------|----------------------------|---------|
| 20.5 | 21.08 | 19.5 | 21.7 | 503480-4000 | 40 |
| 19.5 | 20.08 | 18.5 | 20.7 | 503480-3800 | 38 |
| 18.5 | 19.08 | 17.5 | 19.7 | 503480-3600 | 36 |
| 17.5 | 18.08 | 16.5 | 18.7 | 503480-3400 | 34 |
| 16.5 | 17.08 | 15.5 | 17.7 | 503480-3200 | 32 |
| 15.5 | 16.08 | 14.5 | 16.7 | 503480-3000 | 30 |
| 14.5 | 15.08 | 13.5 | 15.7 | 503480-2800 | 28 |
| 13.5 | 14.08 | 12.5 | 14.7 | 503480-2600 | 26 |
| 12.5 | 13.08 | 11.5 | 13.7 | 503480-2400 | 24 |
| 11.5 | 12.08 | 10.5 | 12.7 | 503480-2200 | 22 |
| 10.5 | 11.08 | 9.5 | 11.7 | 503480-2000 | 20 |
| 9.5 | 10.08 | 8.5 | 10.7 | 503480-1800 | 18 |
| 9.0 | 9.58 | 8.0 | 10.2 | 503480-1700 | 17 |
| 8.5 | 9.08 | 7.5 | 9.7 | 503480-1600 | 16 |
| 7.5 | 8.08 | 6.5 | 8.7 | 503480-1400 | 14 |
| 6.5 | 7.08 | 5.5 | 7.7 | 503480-1200 | 12 |
| 5.5 | 6.08 | 4.5 | 6.7 | 503480-1000 | 10 |
| 4.5 | 5.08 | 3.5 | 5.7 | 503480-0800 | 8 |
| 3.5 | 4.08 | 2.5 | 4.7 | 503480-0600 | 6 |
| 3.0 | 3.58 | 2.0 | 4.2 | 503480-0500 | 5 |
| 2.5 | 3.08 | 1.5 | 3.7 | 503480-0400 | 4 |
| D | C | B | A | EMBOSSED PACKAGE ORDER NO. | CIRCUIT |

CONNECTOR SERIES No. 503480-**09

THIS DRAWING CONTAINS INFORMATION THAT IS PROPRIETARY TO MOLEX ELECTRONIC TECHNOLOGIES, LLC AND SHOULD NOT BE USED WITHOUT WRITTEN PERMISSION

| | | | | | |
|--|---------|------------------------------|---------|---|--------------|
| DIMENSION UNITS | SCALE | CURRENT REV DESC: | | molex | |
| mm | 1:1 | | | | |
| GENERAL TOLERANCES (UNLESS SPECIFIED) | | EC NO: 740220 | | 0.5 FPC CONN. E/O BACKFLIP H=1.0MM ASSEMBLY | |
| ANGULAR TOL | ± 1.0 ° | DRWN: NARENC 2023/02/17 | | PRODUCT CUSTOMER DRAWING | |
| 4 PLACES | ± 0.2 | CHK'D: HSHIMOYAMA 2023/02/27 | | DOCUMENT NUMBER | |
| 3 PLACES | ± 0.2 | APPR: YNAITO 2023/02/27 | | SD-503480-001 | |
| 2 PLACES | ± 0.2 | INITIAL REVISION: | | DOC TYPE | |
| 1 PLACE | ± 0.2 | DRWN: THIRAYAMA 2009/12/11 | | PSD | |
| 0 PLACES | ± 0.2 | APPR: KMORIKAWA 2009/12/14 | | DOC PART | |
| DRAFT WHERE APPLICABLE MUST REMAIN WITHIN DIMENSIONS | | THIRD ANGLE PROJECTION | DRAWING | SERIES | SHEET NUMBER |
| | | | A3-SIZE | 503480 | 1 OF 2 |

NOTES

1. PART COMPOSITION

HOUSING MATERIAL: LIQUID CRYSTAL POLYMER(LCP), GLASS FILLED, UL94V-0, NATURAL(WHITE)

TERMINAL MATERIAL: PHOSPHOR BRONZE

CONTACT AREA : SEPARATED GOLD PLATING (0.1 MICROMETER MINIMUM)

SOLDER TAIL AREA : SEPARATED GOLD PLATING

UNDERPLATE : NICKEL OVERALL (1.0 MICROMETER MINIMUM)

ACTUATOR MATERIAL : POLYAMIDE(PA), GLASS FILLED, UL94 HB, BLACK

NAIL MATERIAL: PHOSPHOR BRONZE

SOLDER TAIL AREA : TIN OVERALL(1.0 MICROMETER MINIMUM)
UNDERPLATE : NICKEL OVERALL(1.0 MICROMETER MINIMUM)

2 . PLEASE DO NOT OPERATE THE ACTUATOR BEFORE MOUNTING.

3. PLEASE OPERATE THE ACTUATOR AFTER INSERTING THE FPC INTO THE CONNECTOR.

4. ABOUT FPC

RECOMMENDED STIFFENER MATERIAL: POLYIMIDE

RECOMMENDED BASE FILM THICKNESS: 25 MICROMETER

RECOMMENDED ADHESIVE: THERMOSETTING ADHESIVE

NOTE: PLEASE PUT APPROPRIATE AMOUNT OF ADHESIVE ON ADHEREND BECAUSE THERE IS A POSSIBILITY THAT THE EXTRA ADHESIVE CAUSES THE DEFECT IN ELECTRICAL CONTINUITY.

RECOMMENDED PUNCHER DIRECTION: FROM CONDUCTOR SIDE TO STIFFENER FILM SIDE.

RECOMMENDED CONDUCTOR SPECIFICATION:

THICKNESS OF SOFT COPPER FOIL: 35MICROMETER

5 R0.3 MUST NOT BE OVERLAPPED TO PATTERN OF FPC.

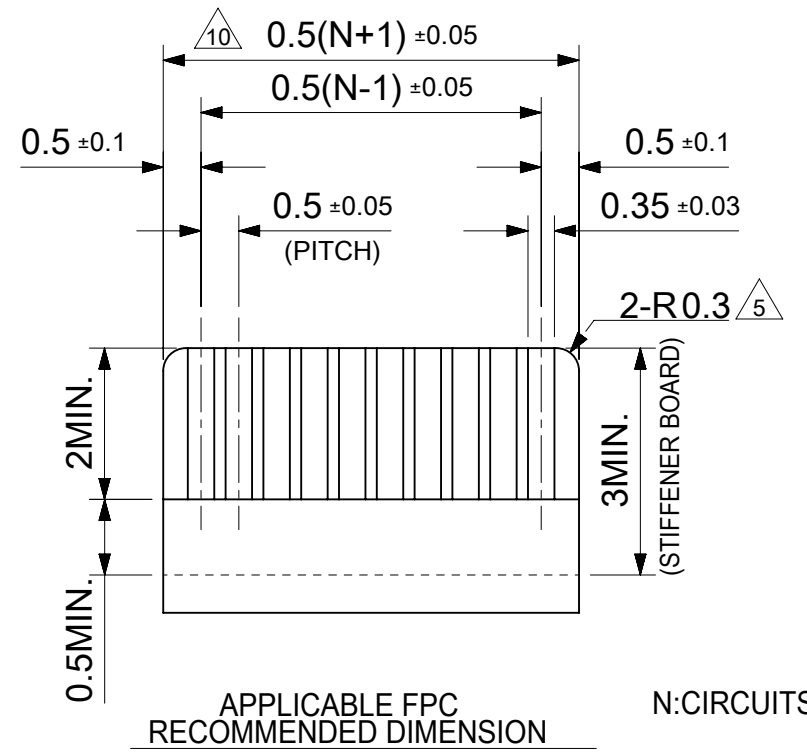
6. COPLANARITY : 0.1 MAXIMUM

7. PLEASE RECOGNIZE A POSSIBILITY TO CHANGE THE SHAPE OF THE PART THAT DOES NOT OBSTRUCT A FUNCTION, BY CIRCUMSTANCES IN OUR PRODUCTION.

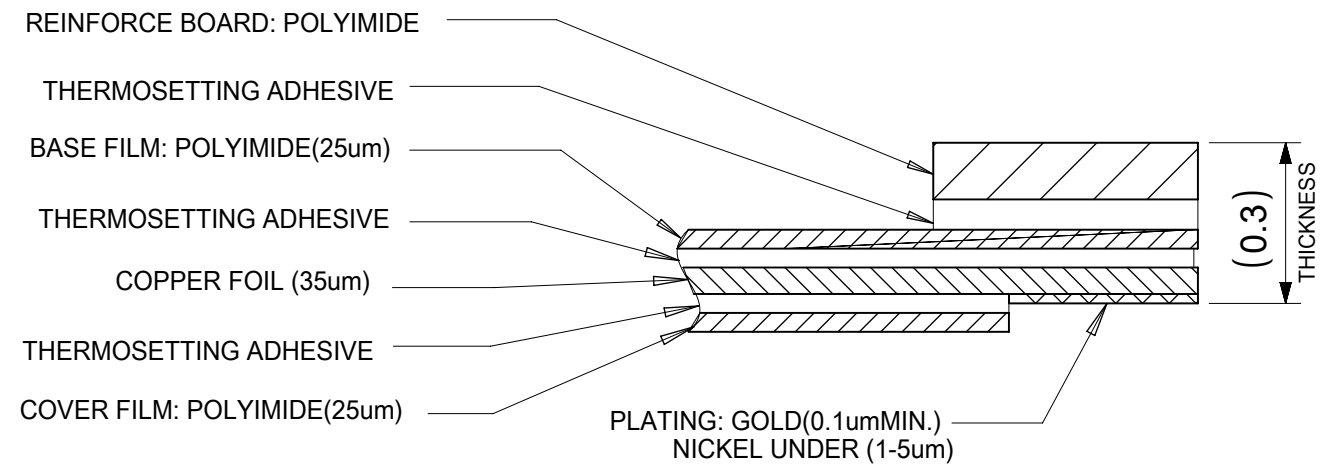
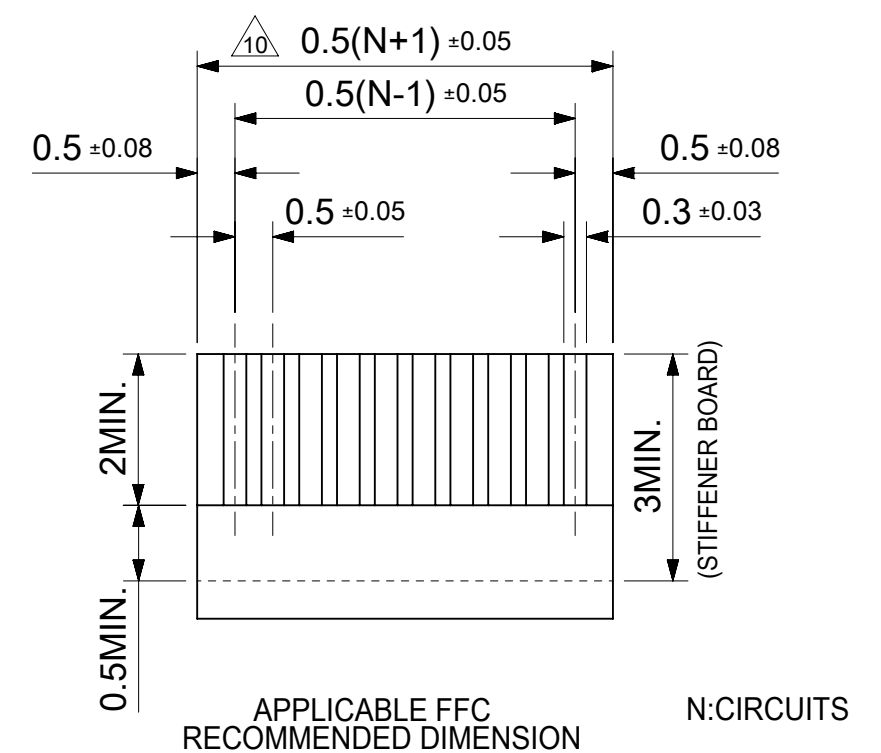
8. THIS PRODUCT IS DELIVERED WITH THE ACTUATOR IN THE OPEN POSITION.

9. THIS PRODUCT IS DUAL-CONTACT (TOP- AND BOTTOM-CONTACTS) TYPE CONNECTOR.

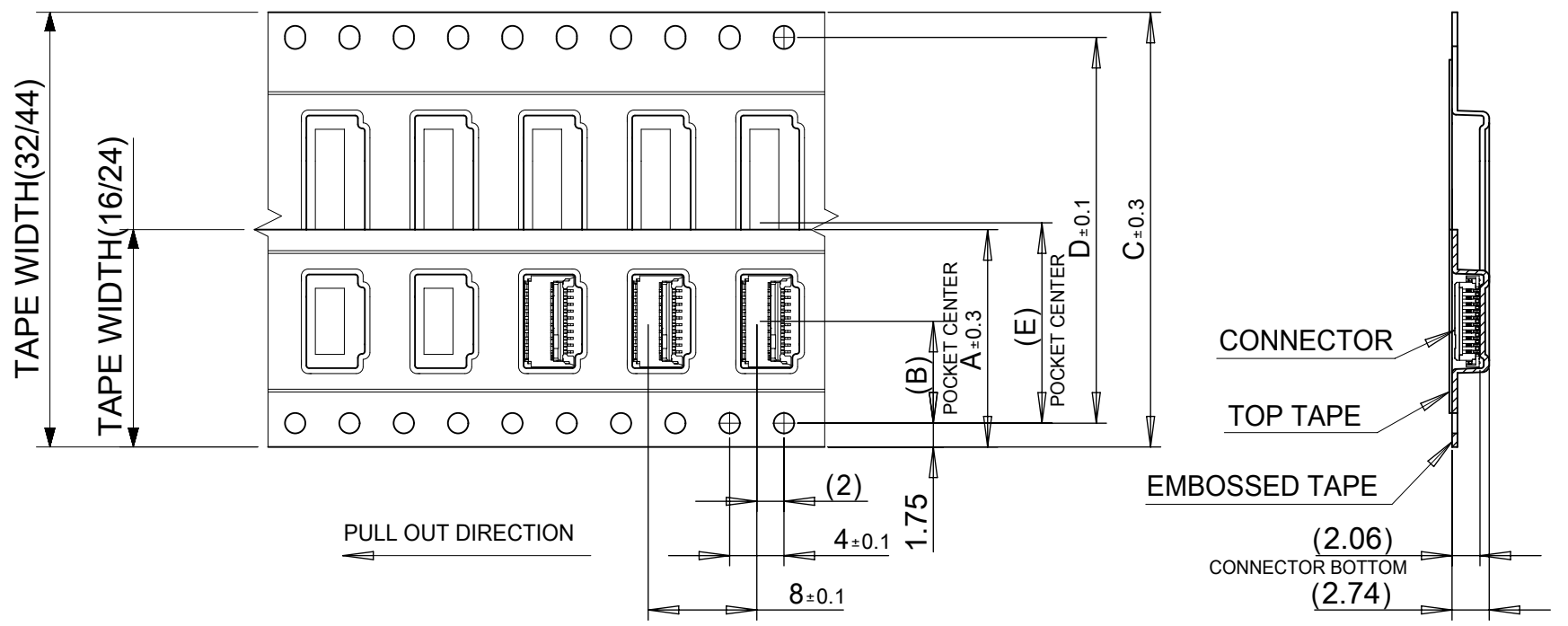
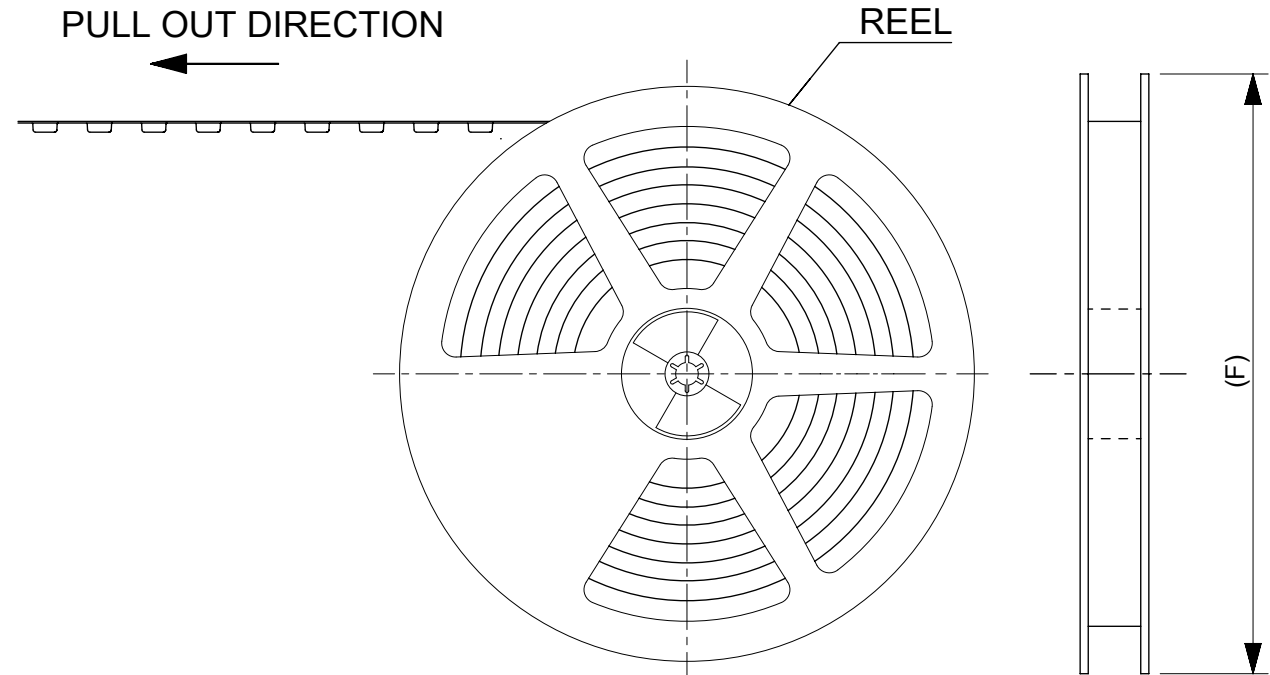
10 PLEASE CONFIRM TO INSERT FPC IN ADVANCE WHEN FPC WIDTH IS OVER $0.5(N+1)+0.02$.



(THICKNESS : 0.3±0.05) : 30 OR LESS CIRCUITS
(THICKNESS : 0.3±0.03) : 31 OR OVER CIRCUITS



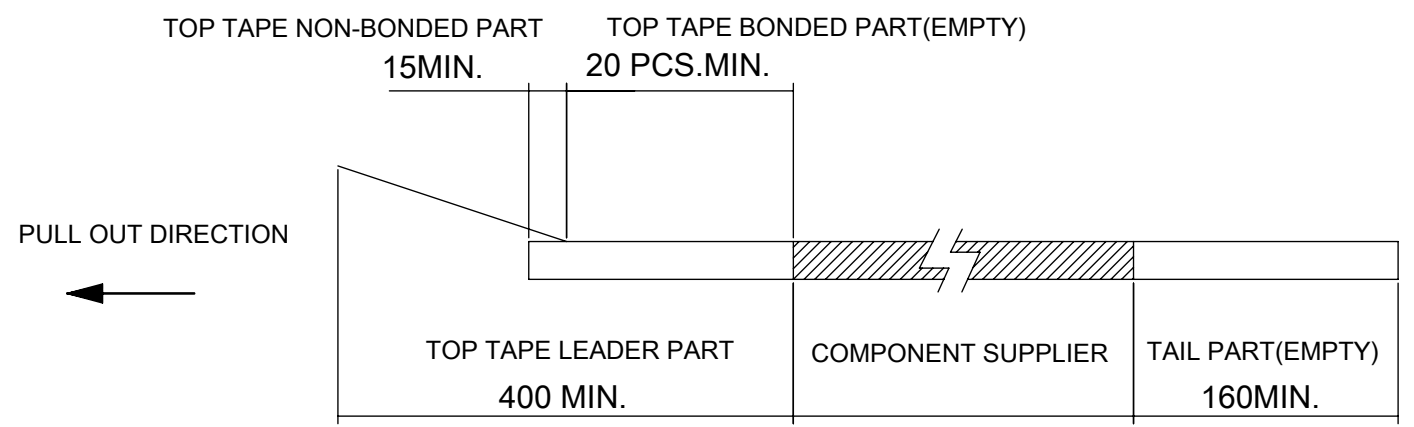
| | | | | | | | | | |
|---|--|-------|--|------------------------------|--|-----------------|--|--|--|
| THIS DRAWING CONTAINS INFORMATION THAT IS PROPRIETARY TO MOLEX ELECTRONIC TECHNOLOGIES, LLC AND SHOULD NOT BE USED WITHOUT WRITTEN PERMISSION | | | | | | | | | |
| DIMENSION UNITS | | SCALE | | CURRENT REV DESC: | | | | molex | |
| mm | | 1:1 | | | | | | | |
| GENERAL TOLERANCES (UNLESS SPECIFIED) | | | | EC NO: 740220 | | | | 0.5 FPC CONN. E/O BACKFLIP H=1.0MM ASSEMBLY | |
| ANGULAR TOL ± 1.0 ° | | | | DRWN: NARENC 2023/02/17 | | | | | |
| 4 PLACES ± 0.2 | | | | CHK'D: HSHIMUYAMA 2023/02/27 | | | | PRODUCT CUSTOMER DRAWING | |
| 3 PLACES ± 0.2 | | | | APPR: YNAITO 2023/02/27 | | | | | |
| 2 PLACES ± 0.2 | | | | INITIAL REVISION: | | | | DOCUMENT NUMBER | |
| 1 PLACE ± 0.2 | | | | DRWN: THIRAYAMA 2009/12/11 | | | | SD-503480-001 | |
| 0 PLACES ± 0.2 | | | | APPR: KMORIKAWA 2009/12/14 | | | | DOC TYPE DOC PART REVISION | |
| DRAFT WHERE APPLICABLE MUST REMAIN WITHIN DIMENSIONS | | | | THIRD ANGLE PROJECTION | | DRAWING | | SHEET NUMBER | |
| | | | | A3-SIZE | | SERIES | | CUSTOMER | |
| | | | | 503480 | | MATERIAL NUMBER | | GENERAL MARKET | |
| | | | | SEE TABLE | | CUSTOMER | | 2 OF 2 | |



DIRECTION OF CONNECTOR IN EMBOSSSED TAPE

NOTES

1. IN THE PACKAGE, PART NO.503480-**09 DETAILED DIMENSIONS. REFER TO SD-503480-001
2. NUMBER OF CONNECTORS : 3000PCS/REEL
3. LEAD TAPE LENGTH



4. MATERIAL

CARRIER TAPE : PET
 TOP TAPE : PET,OTHER
 REEL : PS (RECYCLE MATERIAL CONTAINED)

5. COVER TAPE PEEL FORCE IS DEFINED BY IEC60286-3.

| F | E | D | C | B | A | TAPE WIDTH | ORDER NO. | CIRCUIT |
|-----|------|------|----|------|----|------------|-------------|---------|
| 380 | 20.2 | 40.4 | 44 | - | - | 44 | 503480-4000 | (E1) 40 |
| | | | | | | | 503480-3800 | (E1) 38 |
| | | | | | | | 503480-3600 | (E1) 36 |
| | | | | | | | 503480-3400 | (E1) 34 |
| 330 | 14.2 | 28.4 | 32 | - | - | 32 | 503480-3200 | 32 |
| | | | | | | | 503480-3000 | (E1) 30 |
| 380 | - | - | - | 11.5 | 24 | 24 | 503480-2800 | (E1) 28 |
| | | | | | | | 503480-2600 | 26 |
| | | | | | | | 503480-2400 | 24 |
| | | | | | | | 503480-2200 | 22 |
| | | | | | | | 503480-2000 | 20 |
| | | | | | | | 503480-1800 | 18 |
| | | | | | | | 503480-1700 | 17 |
| | | | | | | | 503480-1600 | 16 |
| | | | | | | | 503480-1400 | 14 |
| | | | | | | | 503480-1200 | 12 |
| 330 | - | - | - | 7.5 | 16 | 16 | 503480-1000 | 10 |
| | | | | | | | 503480-0800 | 8 |
| | | | | | | | 503480-0600 | 6 |
| | | | | | | | 503480-0500 | 5 |
| | | | | | | | 503480-0400 | 4 |

| | | | | |
|--------------------|---|--|-------------------|--|
| FUNCTIONAL SYMBOLS | THIS DRAWING CONTAINS INFORMATION THAT IS PROPRIETARY TO MOLEX ELECTRONIC TECHNOLOGIES, LLC AND SHOULD NOT BE USED WITHOUT WRITTEN PERMISSION | SCALE | CURRENT REV DESC: | |
| △/A = 0 | mm | NTS | | |
| △/E = 0 | GENERAL TOLERANCES (UNLESS SPECIFIED) | | | |
| △/V = 0 | ANGULAR TOL ± 3.0° | | | |
| DIVISIONAL SYMBOLS | 4 PLACES ± | 3 PLACES ± | 2 PLACES ± | 1 PLACE ± |
| | 0 PLACES ± | DRAFT WHERE APPLICABLE MUST REMAIN WITHIN DIMENSIONS | | |
| | THIRD ANGLE PROJECTION | DRAWING | SERIES | MATERIAL NUMBER |
| | | A3-SIZE | 503480 | SEE TABLE |
| | EC NO: 676145 | DRWN: ICYANG | 2021/07/21 | |
| | CHK'D: SHCHU | 2021/09/02 | 2021/09/02 | |
| | INITIAL REVISION: | DRWN: THIRAYAMA | 2009/12/11 | PRODUCT CUSTOMER DRAWING DOCUMENT NUMBER: SD-503480-002 DOC TYPE: PSD DOC PART: 001 REVISION: E2 |
| | | APPR: KMORIKAWA | 2009/12/14 | |
| | | | | CUSTOMER: GENERAL MARKET |
| | | | | SHEET NUMBER: 1 OF 1 |

| | |
|------|--------------------------|
| (E2) | 10 UNDER : ±0.20 |
| | 10 OVER 30 UNDER : ±0.25 |
| | 30 OVER : ±0.30 |