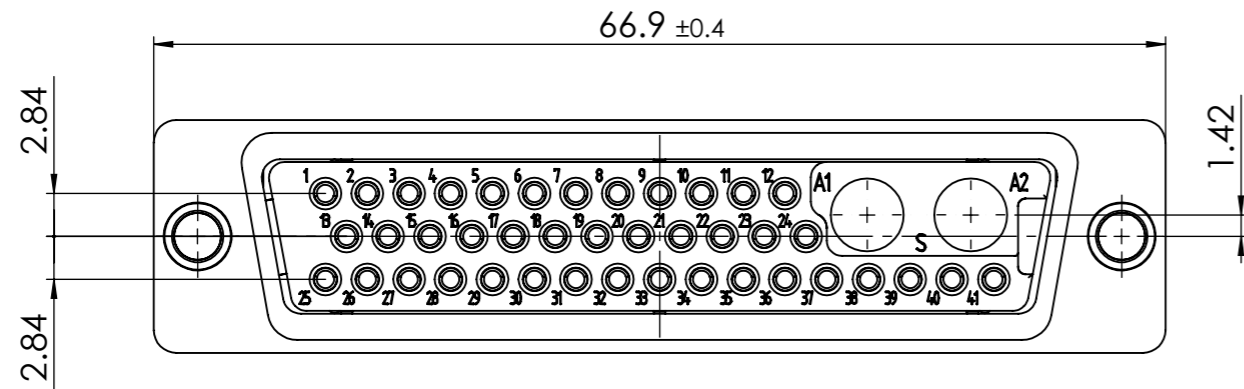
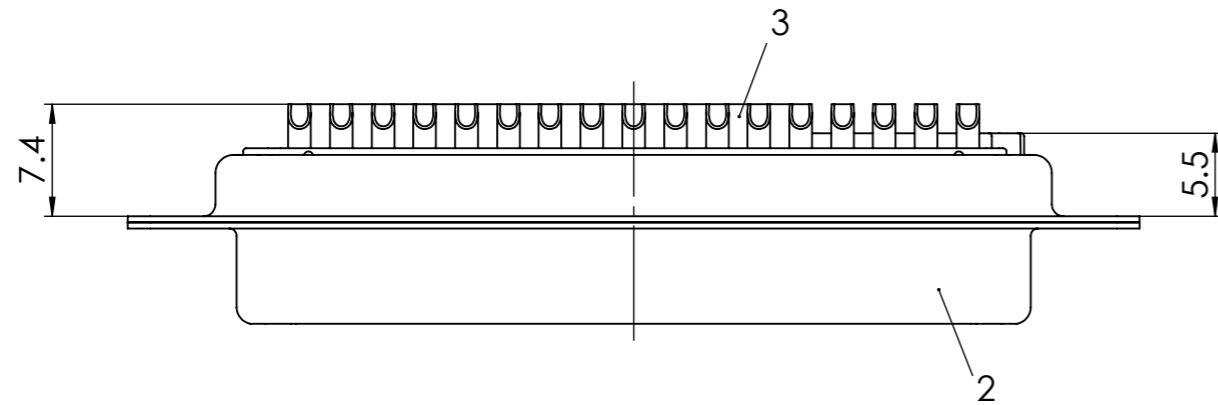
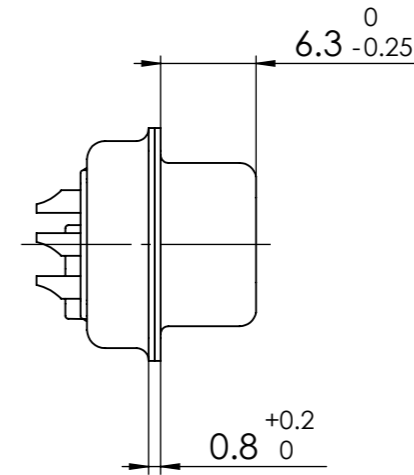
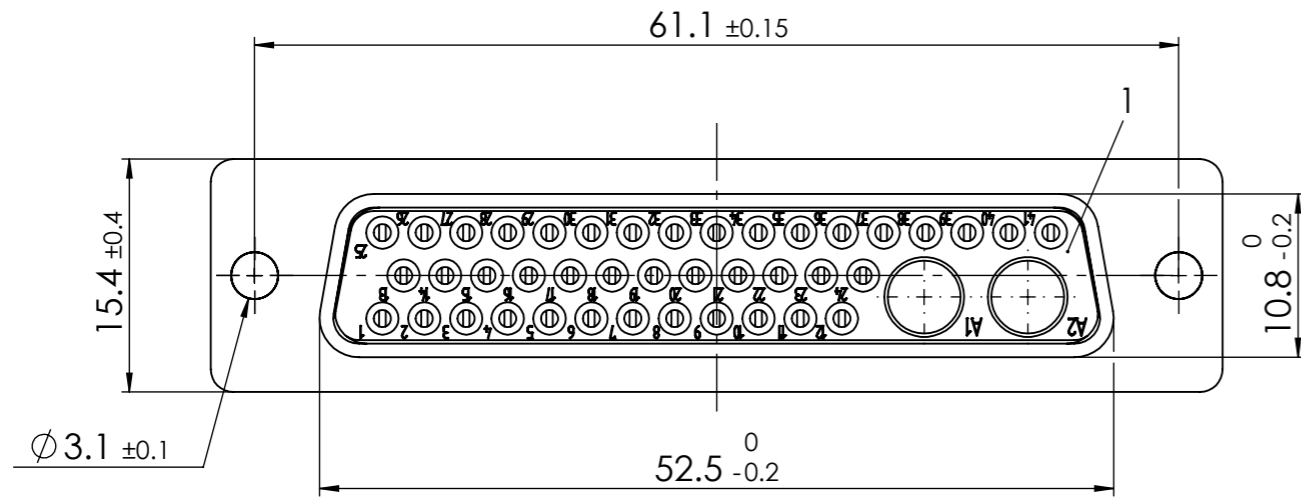


RoHS compliant
by exemption



| No. | St. | Part | Type Description/Material | Surface plating/Colour/Class |
|-----|-----|----------------|------------------------------------|------------------------------|
| 3 | 41 | Signal contact | S0 / Brass | AuroPur |
| 2 | 1 | Shell | Steel | tin plated |
| 1 | 1 | Insulator | PBT (-55°C to +130°C) acc. UL94V-0 | green |

| FUNCTIONAL SYMBOLS | | | | | THIS DRAWING CONTAINS INFORMATION THAT IS PROPRIETARY TO MOLEX ELECTRONIC TECHNOLOGIES, LLC AND SHOULD NOT BE USED WITHOUT WRITTEN PERMISSION | | | | |
|--------------------|----|-------|-----|--|---|------------|--------------------------|--|--------------|
| ▽ = 0 | mm | SCALE | 2:1 | MEASUREMENTS WITHOUT TOLERANCE ACC. TO | molex | | | | |
| ▽ = 0 | | | | ISO 2768-m | | | | | |
| ▽ = 0 | | | | CURRENT REVISION | FCT D-Sub Mixed-Layout Connector | | | | |
| | | | | DRWN: DRAWN BY | msteinbrueck | 26-04-2023 | PRODUCT CUSTOMER DRAWING | | |
| | | | | APPR: APPR BY | fvetter | 27-04-2023 | MATERIAL NUMBER | | |
| | | | | INITIAL REVISION | 1731070119 | | | | REVISION |
| | | | | DRWN: DRAWN BY | MTeubel | 05-07-2013 | DOCUMENT NUMBER | | |
| | | | | APPR: APPR BY | sschref | 08-07-2013 | FM43W2SA-K121 | | |
| | | | | REPLACEMENT FOR: | FRIST ANGLE PROJECTION | DRAWING | CUSTOMER | | SHEET NUMBER |
| | | | | | | A3-SIZE | GENERAL MARKET | | 1 OF 1 |

COMMENT: ALL RIGHTS ARE RESERVED BY US FOR THIS DRAWING. WITHOUT OUR PRIOR CONSENT, IT MAY NEITHER BE DUPLICATED NOR MADE AVAILABLE TO A THIRD PARTY. AND IT ALSO MAY NOT BE IMPROPERLY USED BY THE RECEIVER, OR A THIRD PARTY.