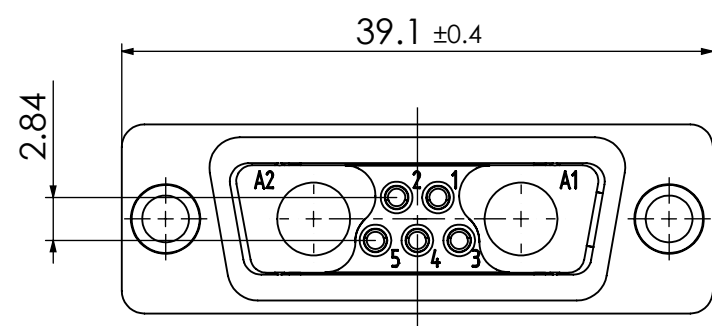
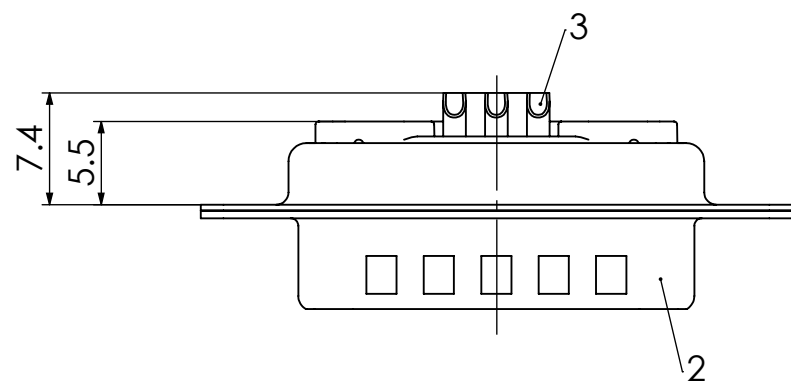
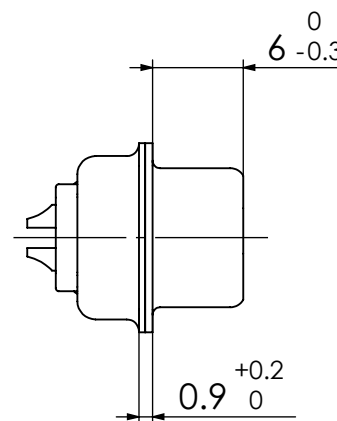
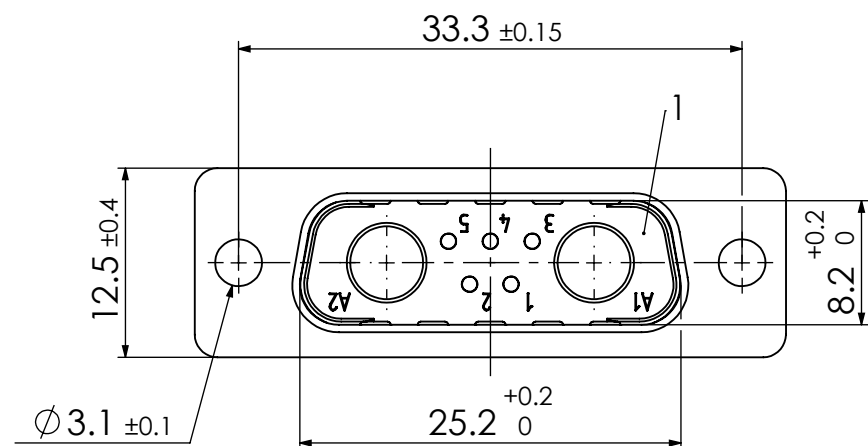


RoHS compliant  
by exemption



3	5	Signal contact	P0 / Brass	0.8µm Au / AWG 20
2	1	Shell	Steel	tin plated
1	1	Insulator	PBT (-55°C to +130°C) acc. UL94V-0	green
No.	St.	Part	Type Description/Material	Surface plating/Colour/Class

FUNCTIONAL SYMBOLS ▽ = 0 ▽ = 0 ▽ = 0					THIS DRAWING CONTAINS INFORMATION THAT IS PROPRIETARY TO MOLEX ELECTRONIC TECHNOLOGIES, LLC AND SHOULD NOT BE USED WITHOUT WRITTEN PERMISSION							<b>FCT D-Sub Mixed-Layout Connector</b>	
DIMENSION UNITS <b>mm</b>		SCALE <b>2:1</b>		MEASUREMENTS WITHOUT TOLERANCE ACC. TO <b>ISO 2768-m</b>			CURRENT REVISION DRWN: DRAWN BY msteinbrueck 13-09-2023 APPR: APPR BY mteubel 15-09-2023						
3 24410 2 24130 1		INITIAL REVISION DRWN: DRAWN BY Denzinger 19-03-2003 APPR: APPR BY Floßmann 19-03-2003			PRODUCT CUSTOMER DRAWING MATERIAL NUMBER <b>1731070059</b>			REVISION <b>3</b>					
REPLACEMENT FOR: 1731070059_Rev. A1		FIRST ANGLE PROJECTION 		DRAWING <b>A3-SIZE</b>		DOCUMENT NUMBER <b>FM7W2P-K120</b>		CUSTOMER GENERAL MARKET		SHEET NUMBER 1 OF 1			

COMMENT:  
ALL RIGHTS ARE RESERVED BY US FOR THIS DRAWING. WITHOUT OUR PRIOR CONSENT, IT MAY NEITHER BE DUPLICATED NOR MADE AVAILABLE TO A THIRD PARTY. AND IT ALSO MAY NOT BE IMPROPERLY USED BY THE RECEIVER, OR A THIRD PARTY.