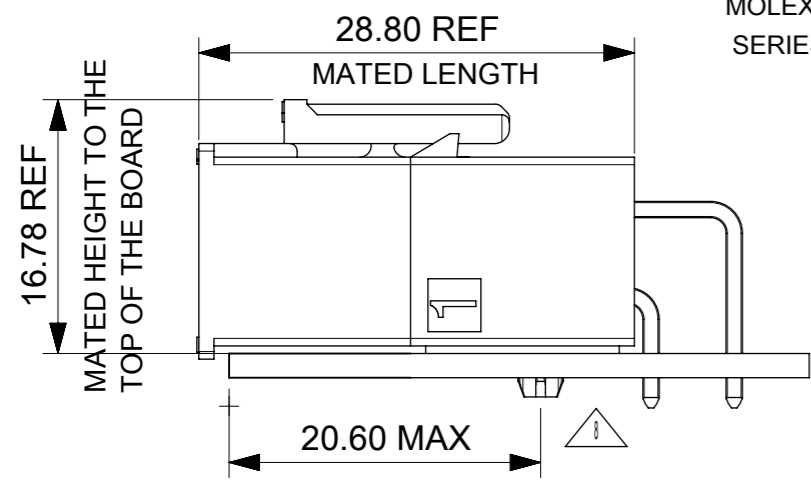
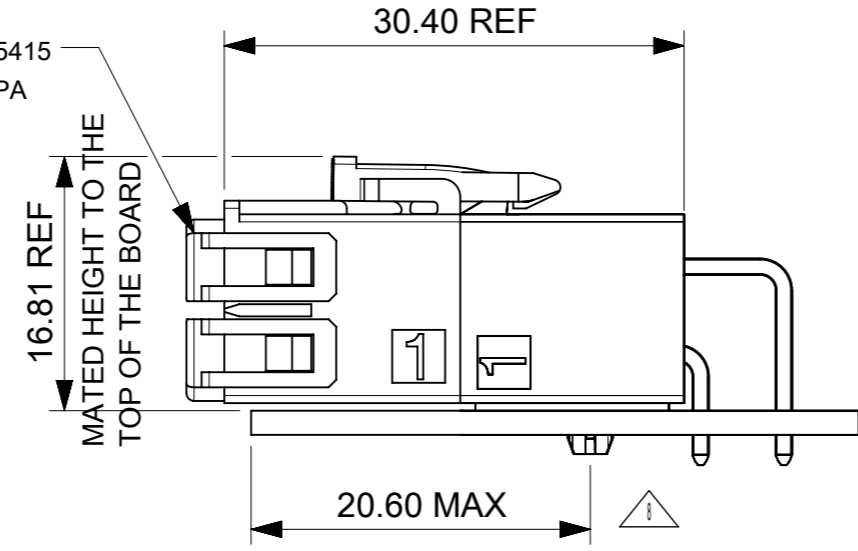


76825-0006 SHOWN

- NOTES:
- MATERIAL:
HOUSING LCP, UL94V-0, GLOW WIRE CAPABLE PER IEC-60335-1 5TH EDITION, COLOR: SEE CHART.
TERMINAL: HIGH CONDUCTIVITY COPPER.
 - TERMINAL PLATING:
(TIN) 1.52 MICROMETER MIN REFLOWED MATTE TIN OVER
1.27 MICROMETER MIN NICKEL OVERALL.
(15 GOLD) 0.38 MICROMETER MIN SELECTIVE GOLD ON CONTACT AREA
WITH 2.54 MICROMETER MIN SELECTIVE TIN ON SOLDER AREA
BOTH OVER 1.27 MICROMETER MIN NICKEL OVERALL.
(30 GOLD) 0.76 MICROMETER MIN SELECTIVE GOLD ON CONTACT AREA
WITH 2.54 MICROMETER MIN SELECTIVE TIN ON SOLDER AREA
BOTH OVER 1.27 MICROMETER MIN NICKEL OVERALL.
 - PRODUCT SPECIFICATION PS-76823-100, 1720631000-PS
 - PACKAGING: TRAY PACKED PER MOLEX SPECIFICATION PK-76825-0000, WHILE T&R IS 1720640900.
 - BLACK PART MATES WITH MOLEX PART NUMBER 170001 AND 171692 SERIES.
NON-BLACK PART MATES WITH MOLEX PART NUMBER 224983 SERIES.S.
 - APPLICATION SPECIFICATION: AS-76823-100, 768232000-AS
 - PARTS CONFORM TO CLASS "B" REQUIREMENTS OF COSMETIC SPECIFICATION PS-45499-002.
 - TO AVOID INTERFERENCE BETWEEN RECEPTACLE AND PCB, HEADER MUST BE PLACED WITHIN 20.6 MAX FROM EDGE OF PCB AS SHOWN FOR 4 THROUGH 12 CIRCUITS.
FOR 2 CIRCUIT PARTS THIS DIMENSION IS 15.1 MAX.

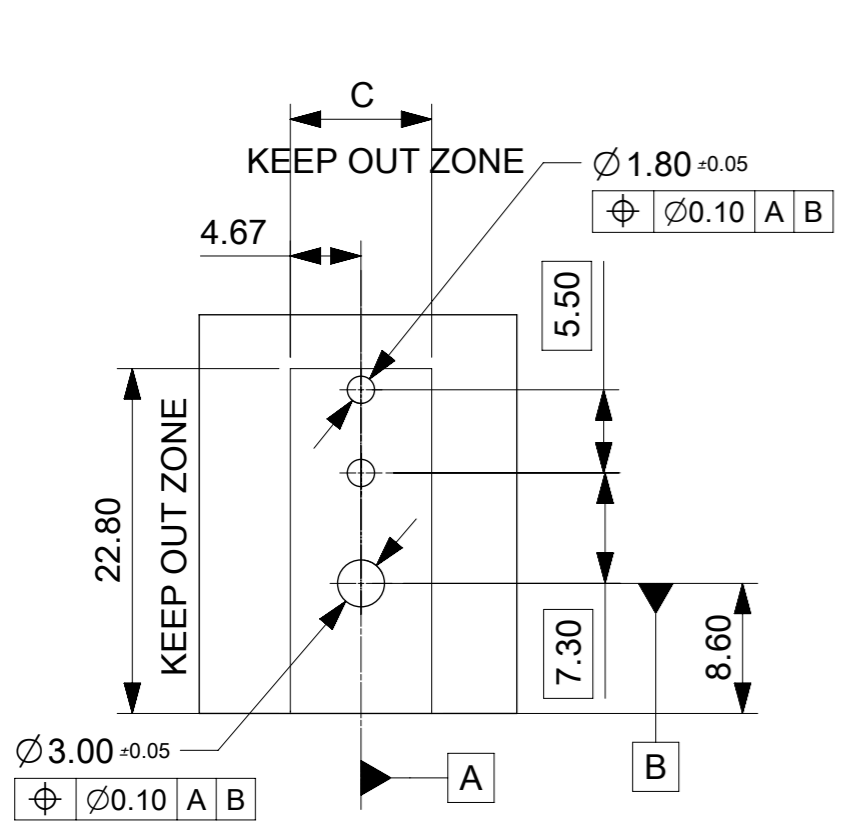
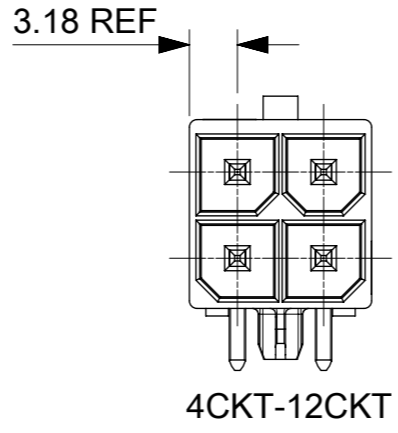
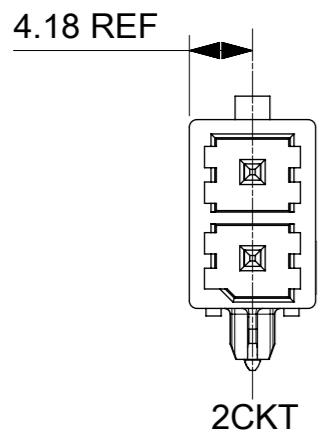


NONE-TPA VERSION

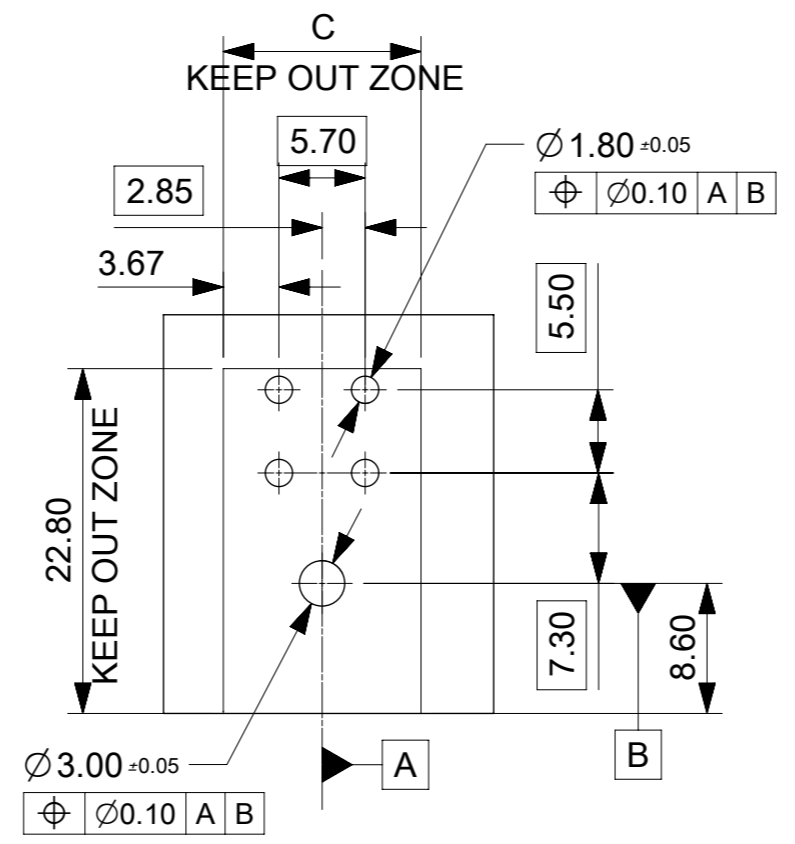


TPA-CAPABLE VERSION

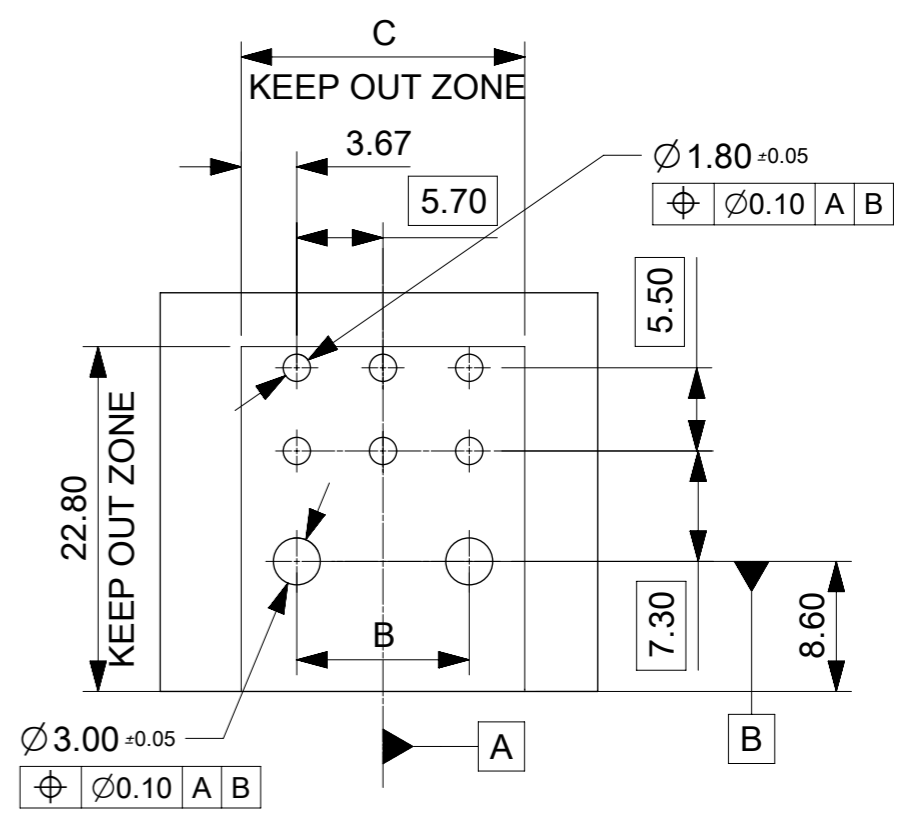
THIS DRAWING CONTAINS INFORMATION THAT IS PROPRIETARY TO MOLEX ELECTRONIC TECHNOLOGIES, LLC AND SHOULD NOT BE USED WITHOUT WRITTEN PERMISSION									
DIMENSION UNITS		SCALE		CURRENT REV DESC:					
mm		NTS		<p>molex</p> <p>MEGA-FIT RIGHT ANGLE HEADER R/A HEADER ASSY 2-12 CKT</p> <p>PRODUCT CUSTOMER DRAWING</p> <p>DOCUMENT NUMBER: SD-76825-0100 DOC TYPE: PSD DOC PART: 000 REVISION: F1</p> <p>EC NO: 789500 DRWN: JERRYW8 2024/06/17</p> <p>3 PLACES ± CHK'D: XQZHANG 2024/06/18</p> <p>2 PLACES ± 0.4 APPR: XQZHANG 2024/06/18</p> <p>INITIAL REVISION:</p> <p>DRWN: MKARADIMAS 2010/11/15</p> <p>APPR: APATEL 2012/06/13</p> <p>DRAFT WHERE APPLICABLE MUST REMAIN WITHIN DIMENSIONS</p> <p>THIRD ANGLE PROJECTION</p> <p>DRAWING: A3-SIZE</p> <p>SERIES: 76825</p> <p>MATERIAL NUMBER: SEE TABLE</p> <p>CUSTOMER: GENERAL MARKET</p> <p>SHEET NUMBER: 1 OF 4</p>					
GENERAL TOLERANCES (UNLESS SPECIFIED)									
ANGULAR TOL ± 3.0 °									
4 PLACES ±									
1 PLACE ± 0.5									
0 PLACES ±									



PCB LAYOUT: COMPONENT SIDE
 RECOMENDED PCB THICKNESS: 1.58 MM/.062 IN
 TO 2.36 MM/.093 IN



PCB LAYOUT: COMPONENT SIDE
 RECOMENDED PCB THICKNESS: 1.58 MM/.062 IN
 TO 2.36 MM/.093 IN



PCB LAYOUT: COMPONENT SIDE
 RECOMENDED PCB THICKNESS: 1.58 MM/.062 IN
 TO 2.36 MM/.093 IN

THIS DRAWING CONTAINS INFORMATION THAT IS PROPRIETARY TO MOLEX ELECTRONIC TECHNOLOGIES, LLC AND SHOULD NOT BE USED WITHOUT WRITTEN PERMISSION									
DIMENSION UNITS		SCALE		CURRENT REV DESC:					
mm		NTS		<div style="text-align: center;">molex</div> MEGA-FIT RIGHT ANGLE HEADER R/A HEADER ASSY 2-12 CKT PRODUCT CUSTOMER DRAWING					
GENERAL TOLERANCES (UNLESS SPECIFIED)									
ANGULAR TOL ± 3.0 °									
4 PLACES	±								
3 PLACES	±								
2 PLACES	± 0.4								
1 PLACE	± 0.5								
0 PLACES	±								
DRAFT WHERE APPLICABLE MUST REMAIN WITHIN DIMENSIONS		THIRD ANGLE PROJECTION		DRAWING		SERIES		MATERIAL NUMBER	
				A3-SIZE		76825		SEE TABLE	
DOCUMENT STATUS		P1		RELEASE DATE		2024/06/18 06:39:54		CUSTOMER	
								GENERAL MARKET	
								SHEET NUMBER	
								2 OF 4	

	10	9	8	7	6	5	4	3	2	1
F	CKT	POLARIZATION-BALCK	POLARIZATION-NATURAL	POLARIZATION-RED	POLARIZATION-RED	POLARIZATION-BLUE	POLARIZATION-BLUE	POLARIZATION-YELLOW	POLARIZATION-YELLOW	
	2 CKT									
E	4 CKT									
D	6 CKT									
C	8 CKT									
B	10 CKT									
A	12 CKT									

THIS DRAWING CONTAINS INFORMATION THAT IS PROPRIETARY TO MOLEX ELECTRONIC TECHNOLOGIES, LLC AND SHOULD NOT BE USED WITHOUT WRITTEN PERMISSION		CURRENT REV DESC:		molex	
DIMENSION UNITS	SCALE				
mm	NTS			MEGA-FIT RIGHT ANGLE HEADER R/A HEADER ASSY 2-12 CKT	
GENERAL TOLERANCES (UNLESS SPECIFIED)				PRODUCT CUSTOMER DRAWING	
ANGULAR TOL	± 3.0 °			DOCUMENT NUMBER	
4 PLACES	±	EC NO: 789500		SD-76825-0100	
3 PLACES	±	DRWN: JERRYW8	2024/06/17	DOC TYPE	DOC PART
2 PLACES	± 0.4	CHK'D: XQZHANG	2024/06/18	PSD	000
1 PLACE	± 0.5	APPR: XQZHANG	2024/06/18	REVISION	
0 PLACES	±	INITIAL REVISION:		F1	
DRAFT WHERE APPLICABLE MUST REMAIN WITHIN DIMENSIONS		DRWN: MKARADIMAS	2010/11/15	MATERIAL NUMBER	
THIRD ANGLE PROJECTION		APPR: APATEL	2012/06/13	CUSTOMER	
DRAWING		SERIES		SHEET NUMBER	
A3-SIZE		76825		3 OF 4	

10	9	8	7	6	5	4	3	2	1	
CKT SIZE	PART NO.	PLATING	DIM A	DIM B	DIM C	PK SPEC	HEADER COLOR			
2	76825-0002	TIN	8.35	N/A	9.35	TRAY	BLACK			
4	76825-0004	TIN	12.05	N/A	13.05					
6	76825-0006	TIN	17.75	11.4	18.75					
8	76825-0008	TIN	23.45	17.1	24.45					
10	76825-0010	TIN	29.15	22.8	30.15					
12	76825-0012	TIN	34.85	28.5	35.85					
2	172064-0002	15 GOLD	8.35	N/A	9.35					
4	172064-0004	15 GOLD	12.05	N/A	13.05					
6	172064-0006	15 GOLD	17.75	11.4	18.75					
8	172064-0008	15 GOLD	23.45	17.1	24.45					
10	172064-0010	15 GOLD	29.15	22.8	30.15					
12	172064-0012	15 GOLD	34.85	28.5	35.85					
2	172064-1002	30 GOLD	8.35	N/A	9.35					
4	172064-1004	30 GOLD	12.05	N/A	13.05					
6	172064-1006	30 GOLD	17.75	11.4	18.75					
8	172064-1008	30 GOLD	23.45	17.1	24.45					
10	172064-1010	30 GOLD	29.15	22.8	30.15					
12	172064-1012	30 GOLD	34.85	28.5	35.85					
*	2	76825-0902	TIN	8.35	N/A	TAPE&REEL	BLACK			
*	4	76825-0904	TIN	12.05	N/A					13.05
*	6	76825-0906	TIN	17.75	11.4					18.75
*	8	76825-0908	TIN	23.45	17.1					24.45
*	10	76825-0910	TIN	29.15	22.8					30.15
*	12	76825-0912	TIN	34.85	28.5					35.85
*	2	172064-0902	15 GOLD	8.35	N/A					9.35
*	4	172064-0904	15 GOLD	12.05	N/A					13.05
*	6	172064-0906	15 GOLD	17.75	11.4					18.75
*	8	172064-0908	15 GOLD	23.45	17.1					24.45
*	10	172064-0910	15 GOLD	29.15	22.8					30.15
*	12	172064-0912	15 GOLD	34.85	28.5					35.85
*	2	172064-1902	30 GOLD	8.35	N/A	9.35				
*	4	172064-1904	30 GOLD	12.05	N/A	13.05				
*	6	172064-1906	30 GOLD	17.75	11.4	18.75				
*	8	172064-1908	30 GOLD	23.45	17.1	24.45				
*	10	172064-1910	30 GOLD	29.15	22.8	30.15				
*	12	172064-1912	30 GOLD	34.85	28.5	35.85				

10	9	8	7	6	5	4	3	2	1
CKT SIZE	PART NO.	PLATING	DIM A	DIM B	DIM C	PK SPEC	HEADER COLOR		
2	172064-0202	TIN	8.35	N/A	9.35	TRAY	BLACK		NATURAL
4	172064-0204		12.05	N/A	13.05				
6	172064-0206		17.75	11.4	18.75				
8	172064-0208		23.45	17.1	24.45				
10	172064-0210		29.15	22.8	30.15				
12	172064-0212		34.85	28.5	35.85				
2	172064-0302		8.35	N/A	9.35				
4	172064-0304		12.05	N/A	13.05				
6	172064-0306		17.75	11.4	18.75				
8	172064-0308		23.45	17.1	24.45				
10	172064-0310		29.15	22.8	30.15				
12	172064-0312		34.85	28.5	35.85				
2	172064-0402	8.35	N/A	9.35					
4	172064-0404	12.05	N/A	13.05					
6	172064-0406	17.75	11.4	18.75					
8	172064-0408	23.45	17.1	24.45					
10	172064-0410	29.15	22.8	30.15					
12	172064-0412	34.85	28.5	35.85					
2	172064-0502	8.35	N/A	9.35					
4	172064-0504	12.05	N/A	13.05					
6	172064-0506	17.75	11.4	18.75					
8	172064-0508	23.45	17.1	24.45					
10	172064-0510	29.15	22.8	30.15					
12	172064-0512	34.85	28.5	35.85					



* DESIGNATES PART NOT RELEASED CONTACT FACTORY FOR AVAILABILITY.

THIS DRAWING CONTAINS INFORMATION THAT IS PROPRIETARY TO MOLEX ELECTRONIC TECHNOLOGIES, LLC AND SHOULD NOT BE USED WITHOUT WRITTEN PERMISSION									
DIMENSION UNITS		SCALE		CURRENT REV DESC:					
mm		NTS		 MEGA-FIT RIGHT ANGLE HEADER R/A HEADER ASSY 2-12 CKT PRODUCT CUSTOMER DRAWING					
GENERAL TOLERANCES (UNLESS SPECIFIED)									
ANGULAR TOL ± 3.0°									
4 PLACES ±		EC NO: 789500							
3 PLACES ±		DRWN: JERRYW8 2024/06/17							
2 PLACES ± 0.4		CHK'D: XQZHANG 2024/06/18							
1 PLACE ± 0.5		APPR: XQZHANG 2024/06/18							
0 PLACES ±		INITIAL REVISION:							
DRAFT WHERE APPLICABLE MUST REMAIN WITHIN DIMENSIONS		THIRD ANGLE PROJECTION		DRAWING		SERIES		DOCUMENT NUMBER	
				A3-SIZE		76825		SD-76825-0100	
								PSD 000 F1	
								SEE TABLE GENERAL MARKET	
								4 OF 4	

DOCUMENT STATUS	RELEASE DATE
-----------------	--------------