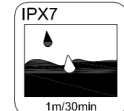
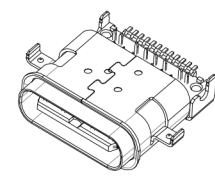
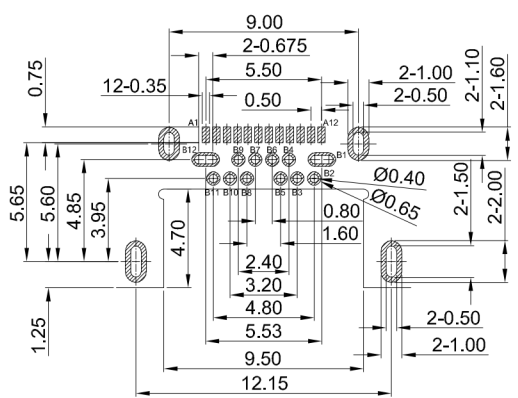
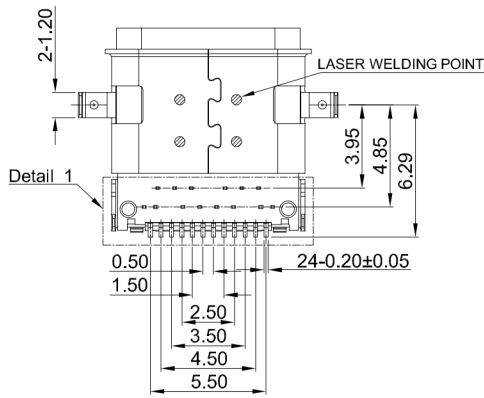


- G-Switch USB-C Specification:**
1. Current rated: 5A on vbus/1.25A on vconn/0.25A on other
 2. Voltage rating: 24V AC
 3. Withstanding voltage: 100V AC/minute
 4. Contact resistance: 40mΩ Max
 5. Insulation resistance: 100MΩ Min
 6. Operating temperature: -40°C ~ +85°C
 7. Mating force: 5N~20N
 8. Unmating force: 8N~20N
 9. Durability cycle: 10,000 cycles
 10. Data transmission rate up to 5Gbps
 11. Waterproof grade: IP-X7



A1	A2	A3	A4	A5	A6	A7	A8	A9	A10	A11	A12
GND	TX1+	TX1-	VBUS	CC1	D+	D-	SBU1	VBUS	RX2-	RX2+	GND
First	Second	Second	First	Second	Second	Second	Second	First	Second	Second	First
B12	B11	B10	B9	B8	B7	B6	B5	B4	B3	B2	B1
GND	RX1+	RX1-	VBUS	SBU2	D-	D+	CC2	VBUS	TX2-	TX2+	GND
First	Second	Second	First	Second	Second	Second	Second	First	Second	Second	First

1	COVER SHELL	STAINLESS STEEL	NI PLATED
2	SHELL	STAINLESS STEEL	NI PLATED
3	GND PLATE	STAINLESS STEEL	---
4	MID PLATE	STAINLESS STEEL	NI PLATED
5	HOUSING	HIGH TEMPERATURE PLASTIC	Black UL 94 V-0
6	TERMINALS	COPPER ALLOY	Au PLATING ON CONTACT AREA
7	GLUE WATER	EPOXY	BLACK
NO.	PARTS	MATERIAL	REMARKS

RECOMMENDED PCB LAYOUT
TOLERANCE:±0.05

Pb
Process Capable

RoHS
Compliant
EU RoHS Standards

Compliant
Halogen Free

SCALE: 1:1	UNIT: mm	Title: Horizontal Type-c 24P Female Sink1.4 CH=0.3 L=9.65mm			
SIZE: A4		Molde Code: GT-USB-7021A8			
Unless otherwise General Tolerance:		DRAWN	CHECKED	APPROVED	DATE
X.	±0.25	Xia	Chen	Chen	2023.02.01
X.x	±0.20				
X.xx	±0.15				
X.xxx	±0.10				
X*	±5°				

品赞科技®
b-Switch
www.dg-switch.com

REV: A0	SHEET: 1/1
---------	------------