

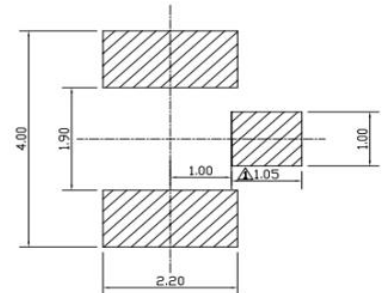
1. Mechanical Specification

1.1 Assembly Drawing

PARTS DRAWING 零件图	ROHS Compliant		REV	PRODUCT NO.	DATE	NAME	DESCRIPTION
			A0		2023.08.07		

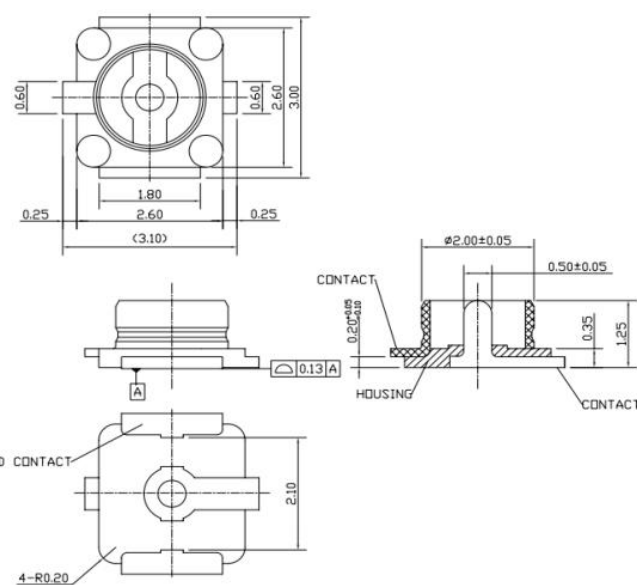
**MHF SERIES MICRO COAXIAL CONNECTOR
RECEPTACLE VERTICAL TYPE**

MATERIAL
 HOUSING: THERMOPLASTIC (UL94V-0)
 HOUSING COLOR: WHITE
 CONTACT: COPPER ALLOY
 CONTACT PLATING: 4u"min. Au PLATED
 GROUND CONTACT: COPPER ALLOY
 GROUND CONTACT PLATING: 2u"min. Au PLATED
 PACKING: REEL TAPE



RECOMMENDED FOOTPRINT PATTERN

NOTE:
 1. FOOTPRINT PATTERN TOLERANCE: ±0.05mm
 2. GROUND CONTACT SMT COPLANARITY TOLERANCE: 0.13MM Max.
 3. GENERAL TOLERANCE ±0.10
 4. THIS P/N IS GREEN PRODUCT



工作频段 (Frequency Range)	0-6GHz	角注 ANGLE PROJECTION	产品名称 (PRODUCT NAME)			
增益 (Gain)			IPEX-国产板端一代			
电压驻波比 (VSWR)	对比波形	公差 GENERAL TOLERANCE	产品料号	单位 (UNIT)	MM	比例 (SIZE)
极化方式 (Polarization)	垂直	100~200 : ± 3.00	BWIPX-1-001E	页数 (PAGE)	1 OF 1	幅面 (FORMAT)
特性阻抗 (Impedance)	50 Ω	50~100 : ± 2.00	业务	仓库		A4
	工作温度: -45℃~85℃ 储存温度: -45℃~85℃	25~50 : ± 0.20	FMC	生产		
		10~25 : ± 0.15	采购	品质		
		1~10 : ± 0.1				

2. 免责声明 (Disclaimer) :

本着为用户提供更好服务的原则，深圳市蝙蝠无线技术有限公司（下称“蝙蝠无线”）在本手册中将尽可能地向用户呈现详实、准确的产品信息。但鉴于本手册的内容具有一定的时效性，蝙蝠无线不能完全保证该文档在任何时段的时效性与适用性。蝙蝠无线有权在没有通知的情况下对本手册上的内容进行更新，恕不另行通知。为了得到最新版本的信息，请尊敬的用户定时访问蝙蝠无线官方网站或者与蝙蝠无线工作人员联系。感谢您的包容与支持！

In order to provide our users with better service, Shenzhen Bat Wireless Technology Co., Ltd (hereinafter referred to as Bat Wireless) will try to present as detailed and accurate product information as possible in this manual. However, due to the timeliness of the manual content, Bat Wireless shall not absolutely guarantee the unlimited timeliness and applicability of the file. Bat Wireless has the right to update the manual content without further notice. To get the latest edition information, pls visit the official website of Bat Wireless or contact our customer service staff. Thanks for your trust and support!