

This document is the property of Amphenol Corporation and is delivered on the express condition that it is not to be disclosed, reproduced or used, in whole or in part, for manufacture or sale by anyone other than Amphenol Corporation without its prior consent, and that no right is granted to disclose or to use any information in this document.

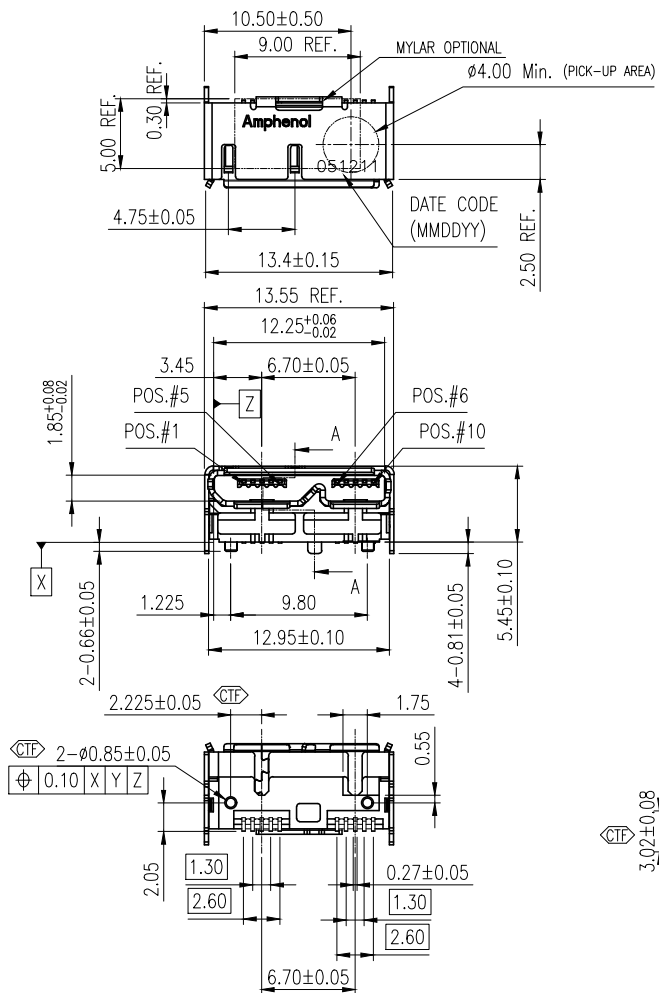
The marking on this product doesn't contain environmental hazardous materials per directive 2011/65/EU & 2015/863/EU for RoHS compliant and per IEC 61249-2-21 for Halogen-Free compliant.



ORIGINAL



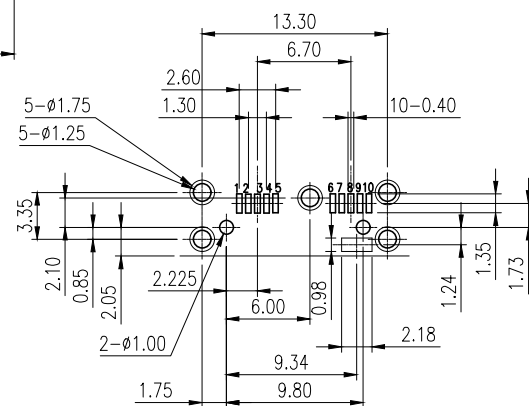
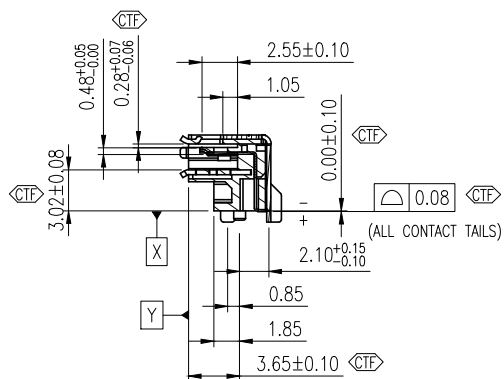
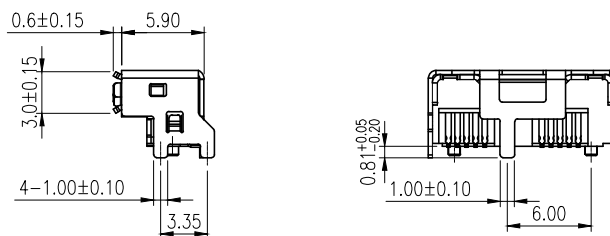
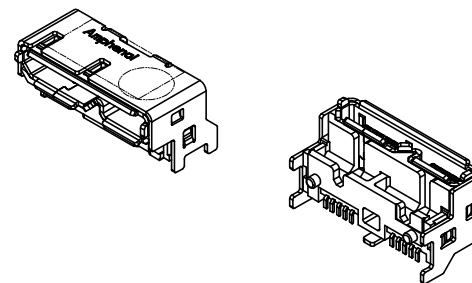
REVISIONS				
SYM	ECN No.	DESCRIPTION	DATE	BY
F	NE-13115	MODIFIED PACKING DRAWING	2013.07.16	Sondra Sang
A1	NE-14150	CHANGED REEL	2014.08.13	Sondra Sang
B1	NE-20168	CHANGED HEIGHT FROM 5.25 TO BE 5.45±0.1	2020.12.03	Sondra Sang



PART NUMBER:
GSB3 43T 3 3 X HR

CONTACT FINISH:
3: 30μ" GOLD

VARIATION CODE
BLANK: STANDARD T&R PACKING
A: W/ MYLAR, T&R PACKING



RECOMMENDED PCB LAYOUT- TOP VIEW
(GENERAL TOLERANCE: ±0.05)

NOTES:

- HOUSING: HIGH TEMP. THERMOPLASTIC, UL 94V-0, COLOR- BLACK
- CONTACT: COPPER ALLOY, 0.15mm THICKNESS, 30μ" MIN. GOLD PLATED ON CONTACT AREA, 150μ" MATTE TIN PLATED ON SOLDERING TAIL, 80μ" MIN. NICKEL UNDER-PLATED OVERALL
- INNER SHELL: STAINLESS, 0.35mm THICKNESS
- OUTER SHELL: STAINLESS, 0.30mm THICKNESS, 50μ" MIN. NICKEL PLATED ON THE SOLDERING TAILS
- CTF ARE THE CRITICAL DIMENSIONS MUST BE INSPECTED BY SPC.
- PACKING: PLEASE REFER TO PKS-GSB343PT01HR
- THIS PRODUCT DOESN'T CONTAIN ENVIRONMENTAL HAZARDOUS MATERIALS PER DIRECTIVE 2011/65/EU AND 2015/863/EU FOR RoHS AND PER IEC 61249-2-21 FOR HALOGEN FREE COMPLIANT.

TOLERANCE	DRAWN	APPROVALS	DATE	TITLE	Amphenol®			
X. ±0.30	DESIGNED	Sondra Sang	2020.12.03	USB 3.0 CONNECTOR MICRO_B, RECEPTACLE R/A SMT, HIGH RISE	Amphenol Corporation Amphenol Taiwan Corporation			
X.X ±0.20	CHECKED	Chenny Yeh	2020.12.03					
X.XX ±0.10	APPROVED	Hank Hsu	2020.12.03					
ANGULAR ±2°	DWG TYPE	CUST DWG	PROJECT CODE T512	UNIT mm	SIZE A3	PART No. GSB3 43T 33X HR		
UNLESS OTHERWISE SPECIFIED				SCALE NA	SHEET 1 OF 2	DWG No. GSB343T33H	REV. B1	

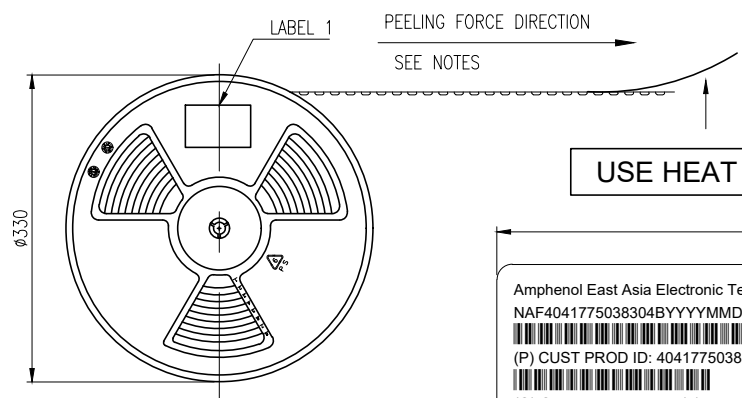
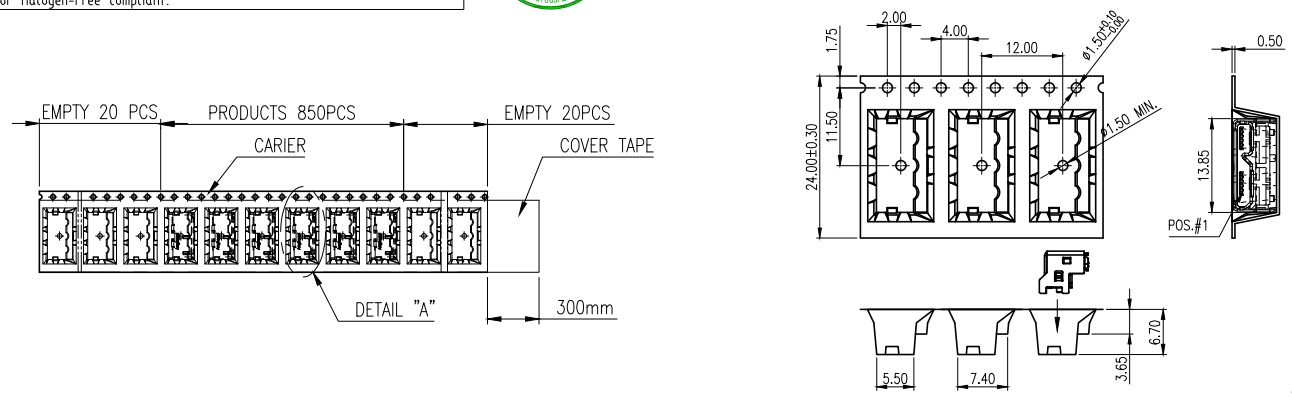
This document is the property of Amphenol Corporation and is delivered on the express condition that it is not to be disclosed, reproduced or used, in whole or in part, for manufacture or sale by anyone other than Amphenol Corporation without its prior consent, and that no right is granted to disclose or to use any information in this document.

The marking on this product doesn't contain environmental hazardous materials per directive 2011/65/EU & 2015/863/EU for RoHS compliant and per IEC 61249-2-21 for Halogen-Free compliant.



ORIGINAL

REVISIONS				
SYM	ECN No.	DESCRIPTION	DATE	BY
F	NE-13115	MODIFIED PACKING DRAWING	2013.07.16	Sondra Sang
A1	NE-14150	CHANGED REEL	2014.08.13	Sondra Sang
B1	NE-20168	CHANGED HEIGHT FROM 5.25 TO BE 5.45±0.1	2020.12.03	Sondra Sang



USE HEAT SEAL

95

55

Amphenol East Asia Electronic Technology(Shen Zhen)Co., Ltd.
NAF4041775038304BYYYYMMDD

(P) CUST PROD ID: 4041775038304

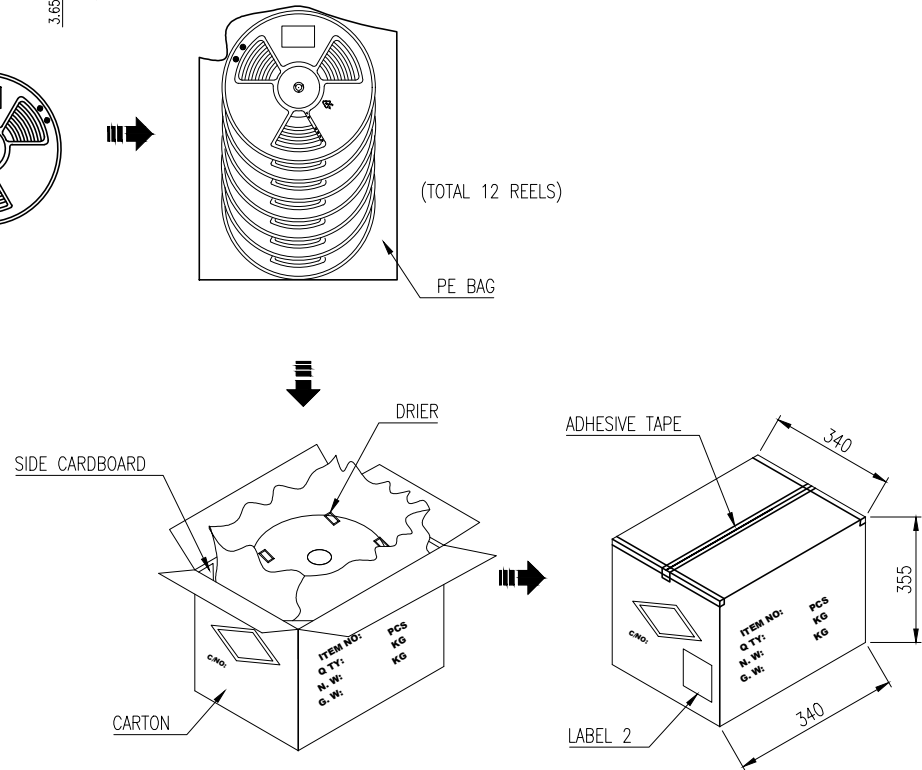
(Q) QUANTITY: 850 (T) DATE CODE: YYYYMMDD

(1T) LOT CODE: 102711

(1P) Amphenol P/N: GSB343T33HR

RoHS & HF Compliant

LABEL1 & LABEL2



PART NO.	PCS./REEL-T1	PCS/CARTON-T2	N.W.	G.W.
GSB343TXXHR	850 PCS.	850X12=10200 PCS.	*	*

("**") FOR REFERENCE

- NOTES:
- MATERIAL: CONDUCTIVE POLYSTYRENE ALLOY, COLOR- BLACK
 - THICKNESS: 0.50±0.05 mm
 - TAPE HAVE TO USE HEAT SEAL TYPE
 - ALL DIMENSIONS MEET EIA-481-C REQUIREMENTS
 - COMPONENT LOAD PER 13" REEL: 850 PCS.
 - LABEL: 3 OF 9 CODE OR 128 CODE
 - THIS PRODUCT DOESN'T CONTAIN ENVIRONMENTAL HAZARDOUS MATERIALS PER DIRECTIVE 2011/65/EU & 2015/863/EU FOR RoHS COMPLIANT.

TOLERANCE	DRAWN	APPROVALS	DATE	TITLE	Amphenol®			
X. X.X ±0.30 X.XX ±0.20 X.XXX ±0.10	DESIGNED	Sondra Sang	2020.12.03	USB 3.0 CONNECTOR MICRO_B, RECEPTACLE R/A SMT, HIGH RISE	Amphenol Corporation Amphenol Taiwan Corporation			
	CHECKED	Chenny Yeh	2020.12.03					
ANGULAR ±2°	APPROVED	Hank Hsu	2020.12.03	 UNIT mm SIZE A3 SCALE NA SHEET 2 OF 2	PART No. GSB3 43T 33X HR			
UNLESS OTHERWISE SPECIFIED	DWG TYPE	CUST DWG	PROJECT CODE T512		DWG No. GSB343T33H REV. B1			