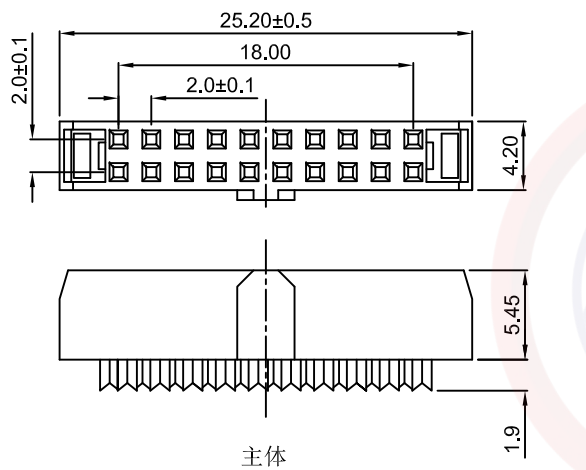
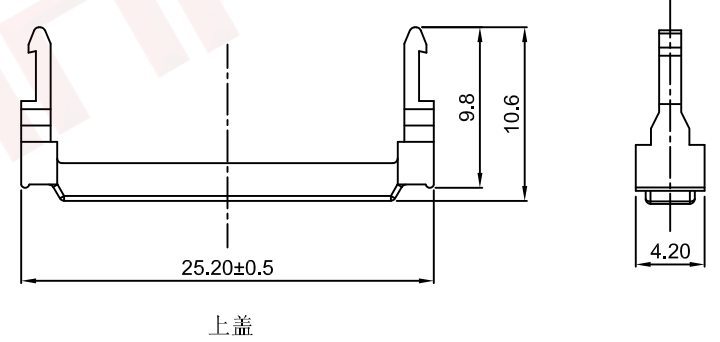
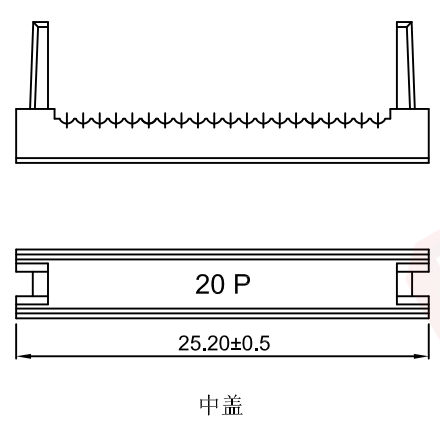


1	2	3	4	5	6	7	8		
Dept	晨翔2.00mm FC三件式插头, 20PIN, 有上盖, 黑色胶芯, 半金镍端子				REV.	DESCRIPTION	DRAWN	CHECKED	APPROVED
Qty					A	NEW RELEASE	JLZ 06/18/24'		
DC	晨翔料号: DS1017-20MA2B								
ED									
IE									
ISO									
PD									
R&D									
SD									
QA									
QC									
QF									

The information provided herein is from CONNELY Electronic Co., Ltd. and is confidential. Any disclosure to a party other than the recipient is prohibited. The intellectual properties and its rights contained herein, including but not limited to, trademarks, patents, copyrights, trade secrets, and technical know-how, are owned exclusively by CONNELY or its affiliates. Unauthorized use of this information in any format or manner. CONNELY may enforce its intellectual property rights at its own discretion; failures or delays to exercise such rights does not constitute a waiver of such rights.



- 备注:
- 电性说明:
 - 接触阻抗: 20毫欧最大
 - 耐压: 500伏交流电一分钟
 - 绝缘阻抗: 1000兆欧最小
 - 额定电流: 1.5安
 - 环境特性:
 - 工作温度: -40~+105° C
 - 材料:
 - 端子: 黄铜, 接触区镍底镀金
 - 胶芯: PBT, 黑色, 阻燃



GENERAL TOLERANCE		ANGLE TOLERANCE		PROJECTION		TITLE	I.D.C SOCKET PITCH 2.00mm	
X.	±0.60	X.	±5°	UNITS	mm	SHEET	A4	
.X	±0.38	.X	±3°	SHEET SIZE	A4	SERIES	DS1017 SERIES	
.XX	±0.25	.XX	±2°	晨翔电子有限公司 CONNELY CONNELY ELECTRONIC CO. LTD				
DRAWING TYPE		CUSTOMER						
SCALE	1:1	SHEET	1 OF 1					
DRAWING NO.		C-DS1017-XXXXX-A						