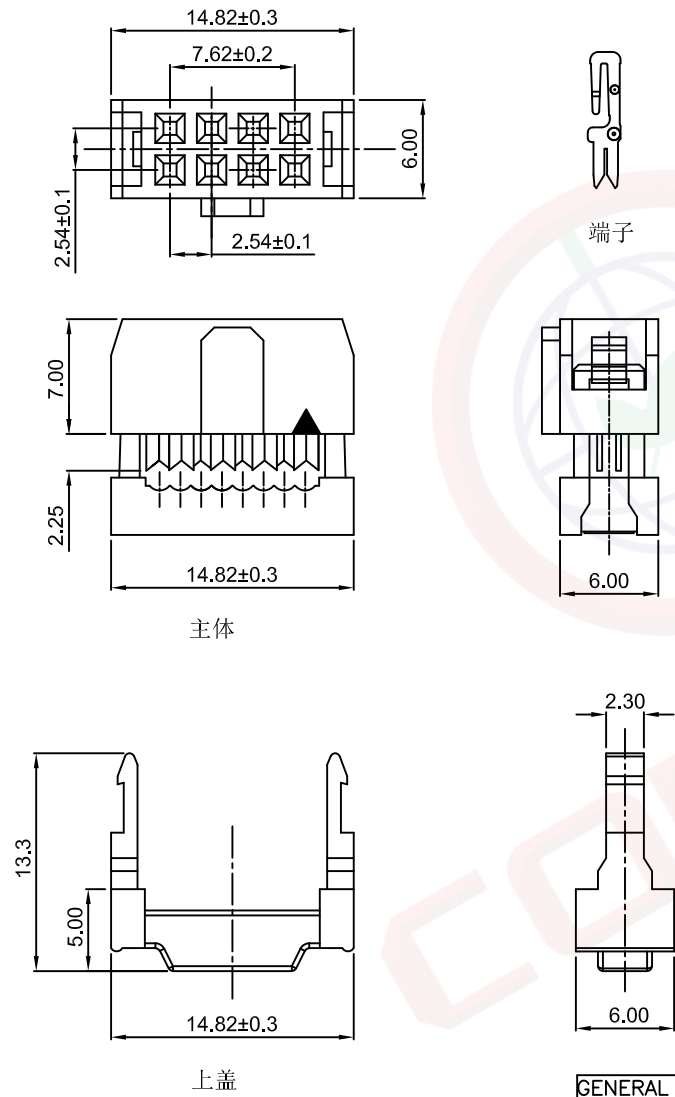


1	2	3	4	5	6	7	8		
Dept	晨翔2.54mm FC三件式插头, 8PIN, 有上盖, 黑色胶芯, 半金镍端子				REV.	DESCRIPTION	DRAWN	CHECKED	APPROVED
Qty					A	NEW RELEASE	JLZ 12/01/21'		
DC	1								
ED	1								
IE	1								
ISO	1								
PD	1								
R&D	1								
SD	1								
QA	1								
QC	1								
QF	1								
晨翔料号: DS1016-08MA2BB									

The information provided herein is from CONNELY Electronic Co., Ltd. and is confidential. Any disclosure to a party other than the recipient is prohibited. The intellectual properties and its rights contained herein, including but not limited to, trademarks, patents, copyrights, trade secrets, and technical know-how, are owned exclusively by CONNELY or its affiliates. Unauthorized use of this information in any format or manner. CONNELY may enforce its intellectual property rights at its own discretion; failures or delays to exercise such rights does not constitute a waiver of such rights.



端子

主体

上盖

- 备注:
- 电性说明:
 - 1.1 接触阻抗: 20毫欧最大
 - 1.2 耐压: 500伏交流电一分钟
 - 1.3 绝缘阻抗: 1000兆欧最小
 - 1.4 额定电流: 3安
 - 环境特性:
 - 2.1 工作温度: -40~+105° C
 - 材料:
 - 3.1 端子: 黄铜, 接触区镍底镀金
 - 3.2 胶芯: PBT, 黑色, 阻燃

GENERAL TOLERANCE		ANGLE TOLERANCE		PROJECTION		TITLE	I.D.C SOCKET PITCH 2.54mm	
X.	±0.60	X.	±5°	UNITS	mm	SERIES	DS1016 SERIES	
.X	±0.38	.X	±3°	SHEET SIZE	A4			
.XX	±0.25	.XX	±2°					
DRAWING TYPE		CUSTOMER			晨翔电子有限公司 CONNELY CONNELY ELECTRONIC CO. LTD			
SCALE		1:1	SHEET 1 OF 1					
DRAWING NO.		C-DS1016-XXXXX-A						