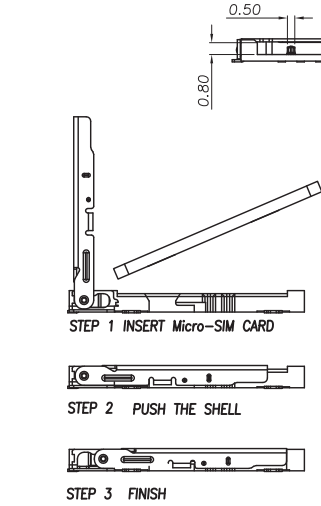
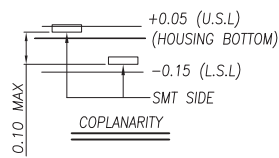
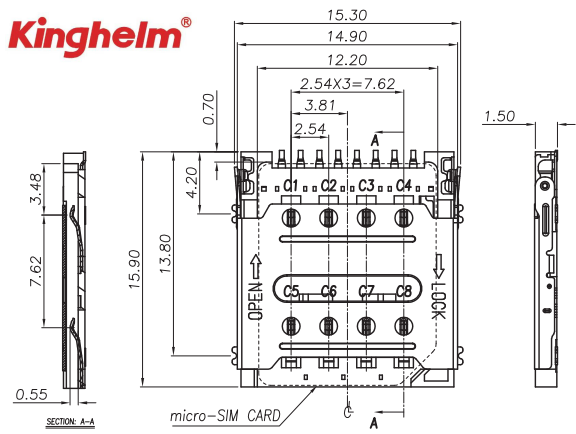
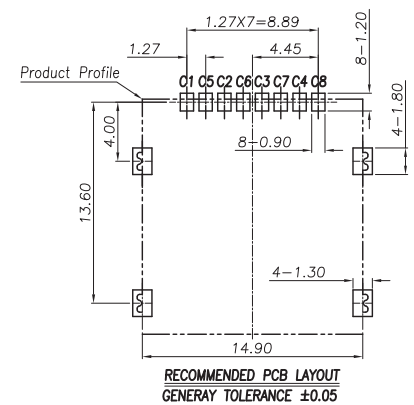


Kinghelm®



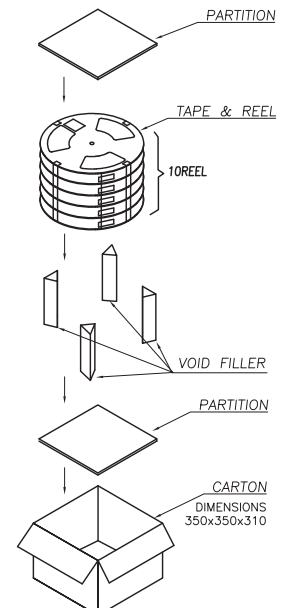
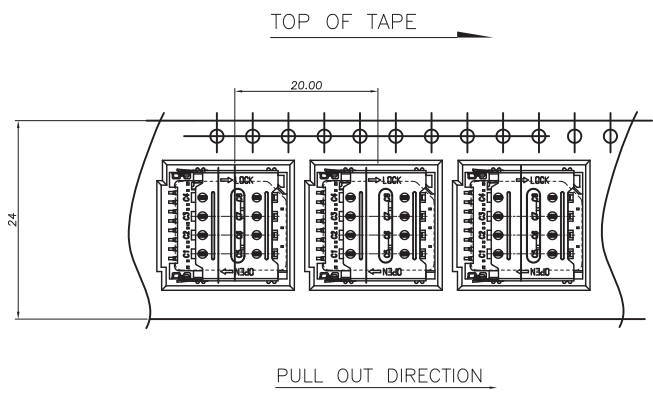
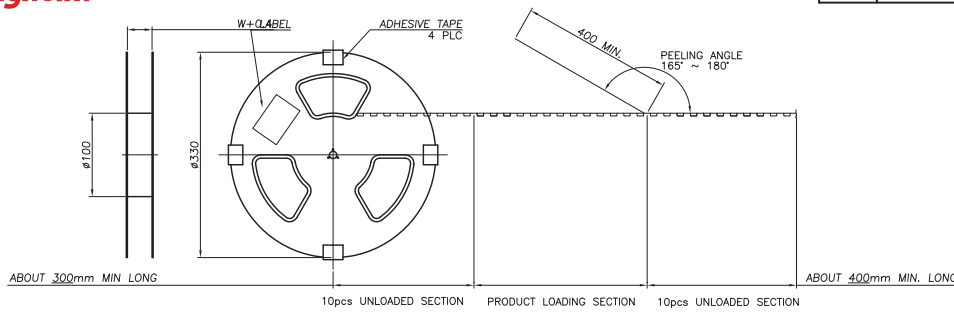
SIM CARD	
Pin No.	NAME
C1	VCC
C2	RST
C3	CLK
C4	RESERVED
C5	GND
C6	VPP
C7	I/O
C8	RESERVED



- NOTES:**
- ELECTRICAL CHARACTERISTICS**
 - 1-1. CONTACT RESISTANCE: 60 Milliohms Max
 - 1-2. INSULATION RESISTANCE: 1,000 Megohms Min.
 - 1-3. DIELECTRIC WITHSTANDING VOLTAGE: 500V AC FOR 1 MINUTE.
 - MECHANICAL CHARACTERISTICS**
 - 2-1. OPERATION TEMPERATURE RANGE: -25°C~+70°C
 - 2-2. DURABILITY: 5000 CYCLES
 - MATERIAL:**
 - 3-1. HOUSING: THERMOPLASTIC,UL 94-V0
 - 3-2. TERMINAL: PHOSPHOR BRONZE,T=0.15
 - 3-3. SHELL: STAINLESS STEEL,T=0.15
 - FINISHED:**
 - 4-1. TERMINAL: Ni PLATED UNDER,Au PLATED ON CONTACT AREA,G/F PLATED ON SOLDERTAIL
 - 4-2. SHELL: Ni PLATED UNDER,G/F PLATED ON SOLDERTAIL

UNLESS OTHERWISE SPECIFIED TOLERANCES		深圳市金航标电子有限公司	www.kinghelm.com.cn
		KH-SIM1616-8PIN	0755-28190160
DECIMALS:	ANGLES	TITLE: 1.5H 掀盖MICRO SIM CARD 8PIN	
X. ±0.20	X' ±2'	Drawn:	PART NO:
X.X ±0.15	X.X' ±1'	Checked:	SCALE: 1:1 UNIT: mm PROJ:
X.XX ±0.10	X.XX' ±0.5'	Approved:	SIZE: A4 SHEET: 1 OF 1 REV: A
X.XXX ±0.05		CUSTOMER COPY	

Kinghelm®



- NOTES:**
1. 10 SPROCKET HOLE PITCH CUMULATIVE TOLERANCE±0.2.
 2. CARRIER CAMBER IS WITHIN 1 MM IN 250MM.
 3. MATERIAL: CLARITY CONDUCTIVE POLYSTYRENE ALLOY 100% RECYCLABLE.
 4. ALL DIMENSIONS MEET EIA-481-3 REQUIREMENTS.
 5. THICKNESS: 0.30±0.05MM
 6. COMPONENT LOAD PER 13" REEL: 1000PCS.
 7. 10REEL/CARTON: 10000PCS

UNLESS OTHERWISE SPECIFIED TOLERANCES		深圳市金航标电子有限公司	www.kinghelm.com.cn
		KH-SIM1616-8PIN	0755-28190160
DECIMALS:	ANGLES	TITLE: 1.5H 掀盖MICRO SIM CARD 8PIN	
X. ±0.20	X' ±2'	Drawn:	PART NO:
X.X ±0.15	X.X' ±1'	Checked:	SCALE: 1:1 UNIT: mm PROJ:
X.XX ±0.10	X.XX' ±0.5'	Approved:	SIZE: A4 SHEET: 1 OF 1 REV: A
X.XXX ±0.05		CUSTOMER COPY	