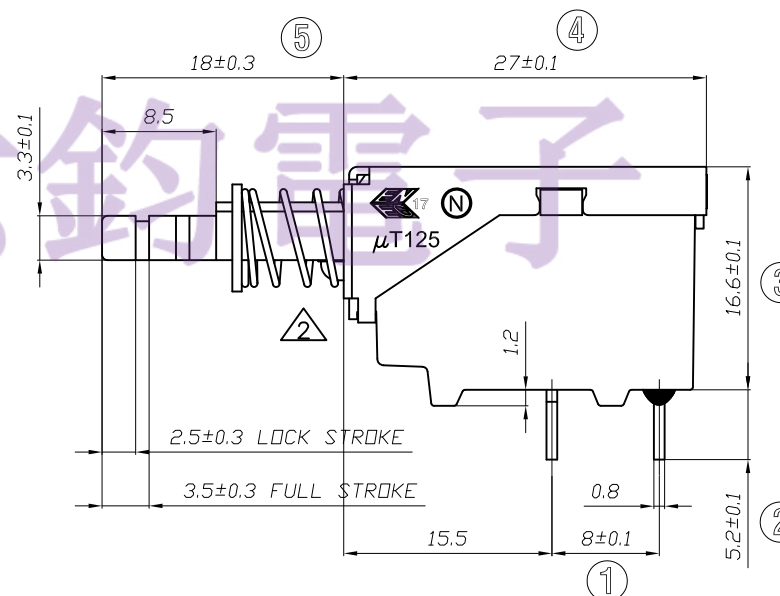
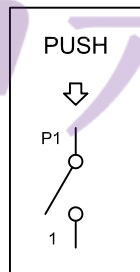
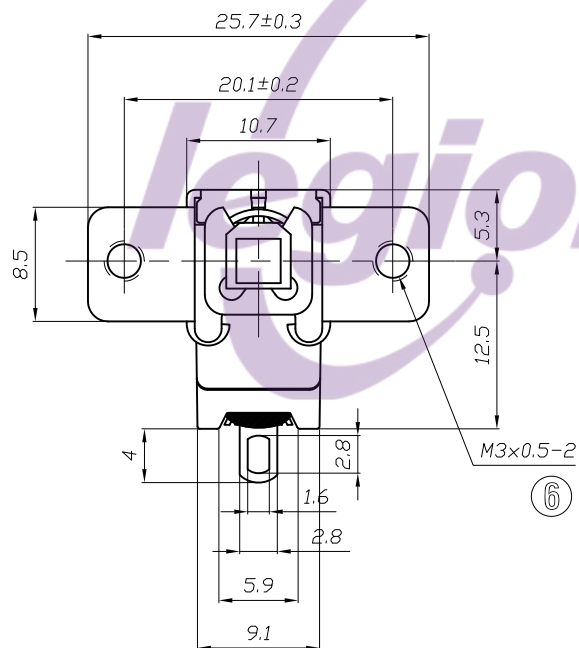
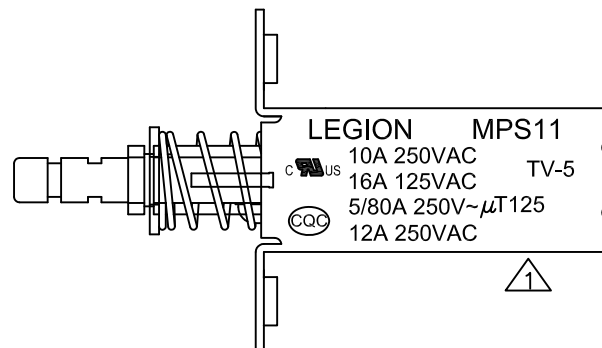


1. 按键开关型号 PUSH BUTTON SWITCH MODEL NO. MPS11-MS180-R  
 2. SOLDERING TYPE, SHORT TERMINAL  
 3. 额定值 RATING: 16A 125VAC/10A 250VAC(C-UL)  
 TV-5(C-UL)  
 5A/80A 250V~ $\mu$ T125(ENEC17;NEMKO;CB)  $\triangle$   
 12A 250VAC 5/80A 250V~ $\mu$ T125(CQC)

4. 所有部件均使用环保材料  
 ALL MATERIALS USE IN CONFORMIY WITH THE RoHS DIRECTIVE



NO	DESCRIPTION	NO	DESCRIPTION	DIMENSIONAL TOLERANCES		APPROVED	CHECKED	DESIGN	DRAWN	ALL SIZE ARE IN		DRAWING NO.	REV.
				RANGE	TOLERANCE					MM	NO		
				X	±0.30				LMC				
				X.X	±0.20				2019.05.20				
				X.XX	±0.10								
				ANGLES	±1°								
						LEGION ELECTRONIC & HARDWARE CO., LTD.							
										MATERIAL NO.		DRAWING NO.	
										MPS11-MS180-R		WIF119121	
										SCALE		REV.	
										NO		A2	
										MAT'L			
										***			

4

3

2

1