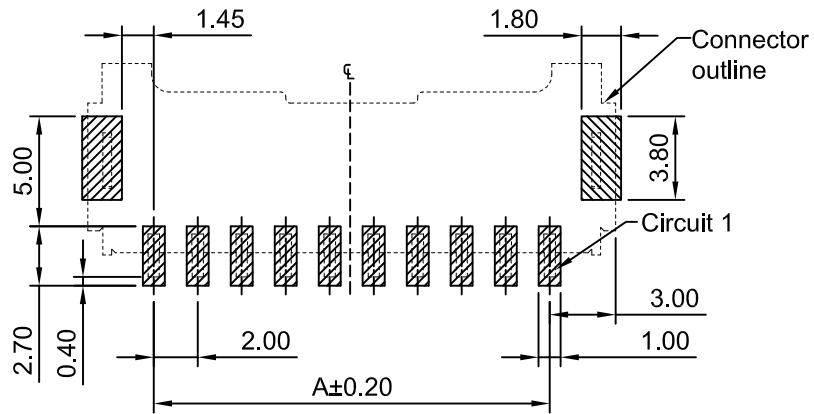
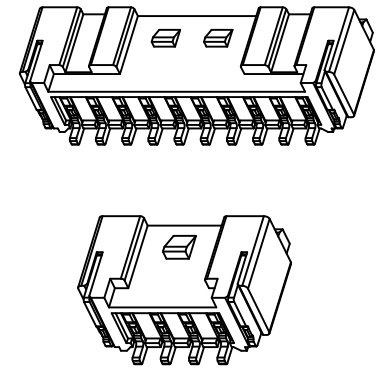


10~15P



P.C.B LAYOUT
TOLERANCE:±0.05

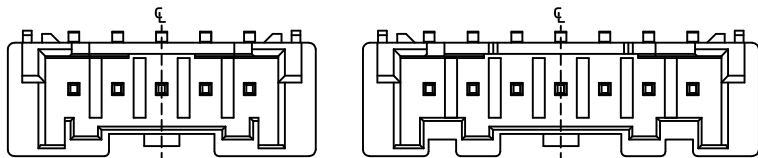
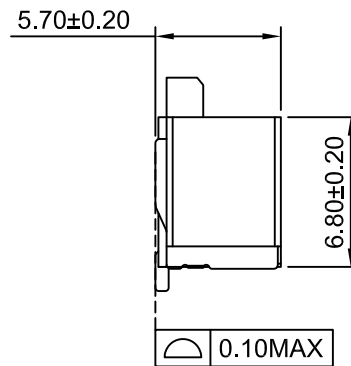
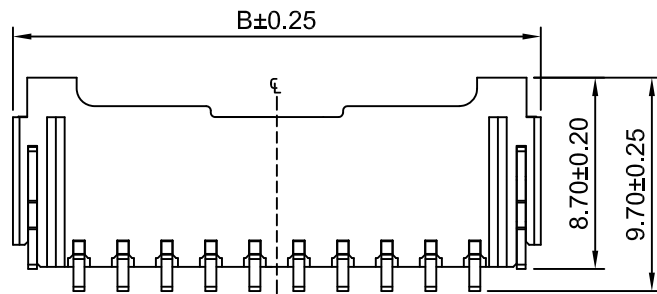


SPECIFICATIONS:

Current Rating: 3A AC,DC
Voltage Rating: 250V AC,DC
Temperature Range: -40°C ~ +105°C
Contact Resistance: 20mΩ Max.
Insulation Resistance: 1000MΩ Min.
Withstanding Voltage: 800V AC/minute
Pin Material:Brass/Tin over Nickel
Material:Nylon 6T,UL94V-0(Ivory)

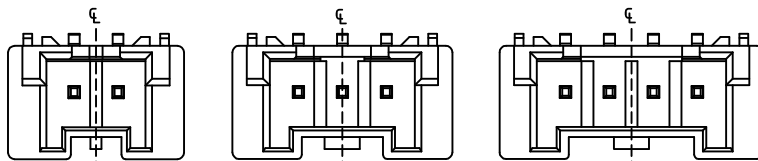
Ordering Information & Dimensions

Circuits	Dimensions(mm)			Circuits	Dimensions(mm)		
	A	B	C		A	B	C
2P	2.00	8.00	4.50	9P	16.00	22.00	18.50
3P	4.00	10.00	6.50	10P	18.00	24.00	20.50
4P	6.00	12.00	8.50	11P	20.00	26.00	22.50
5P	8.00	14.00	10.50	12P	22.00	28.00	24.50
6P	10.00	16.00	12.50	13P	24.00	30.00	26.50
7P	12.00	18.00	14.50	14P	26.00	32.00	28.50
8P	14.00	20.00	16.50	15P	28.00	34.00	30.50



5P~6P

7P~9P



2P

3P

4P

Ordering Information:

A2012WR-S-XP - ***

1 2

1.Part NO.

2.Material:

(Blank);Nylon 6T,UL94V-0

GWT:Nylon 6T,UL94V-0,GWT 750 °C

REV	DESCRIPTION	DATE
A4	CHANGE THE DRAWING	2023.04.11
A3	CHANGE THE DRAWING	2022.11.11
A2	CHANGE THE DRAWING	2022.02.09
A1	CHANGE THE TEMPERATURE	2019.05.20
A0	NEW RELEASE	2018.10.15

CJTconn CHANGJIANG CONNECTORS CO.,LTD.

Unit	Scale	Sheet
mm	3:1	1 of 1
DRAWN	CHKD	APPR
Chengbiao Ye	Diankui Wan	Jack Yin
General Tolerances		THIRD ANGLE PROJECTION
x.x±0.25		
x.xx±0.20		
x.xxx±0.15		
ANGLES ±1°		

TITLE	
2.00mm Pitch Right angle Wafer - SMT Type	
DRAWING NO.	REV
A2012WR-S-XP	A4