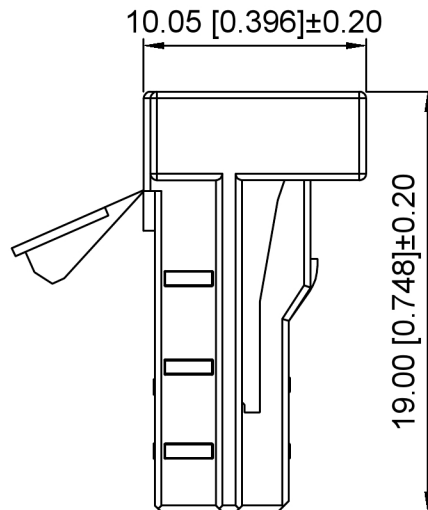
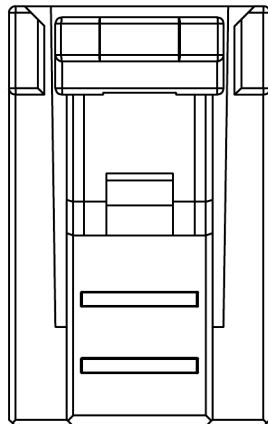


Temperature range: -40°C--+125°C  
 温度范围: -40°C--+125°C

K 137635 H M - XX - PT X  
 ① ② ③ ④ ⑤ ⑥ ⑦

- 1.K: XKBTEK-Car Connector
- 2.XKB Series No
- 3.Category:H-Housing
- 4.Category:M-Male Housing
- 5.Row No.Pin No:XX-04 Pin
- 6.Material:PT-PBT
- 7.Color:B-Black ; W-White



K137635HM-XX-PTX	PBT	K137635W	K137635HF	K137635TF
PART NO	Material	Suitable XKB Wafer	Suitable XKB Housing	Suitable XKB Terminal

					ANGLAR	±5°
ΔX					L ≤ 4	±0.2
ΔX					4 < L ≤ 16	±0.3
ΔX					16 < L ≤ 63	±0.4
MARK	DESCRIPTION	DATE	REVISED	APPROVED	L > 63	±0.5



DSND		SCALE: N/A	MODEL TYPE: 2.2mm Automobile connector
DWN		VIEW:	PART NO.: K137635HM-XX-PTX
CHKD		UNIT: mm/in	DWG NO.: X-K137635HM-XX-PTX
APPD		SIZE: A4	