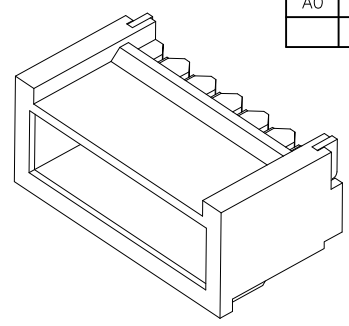
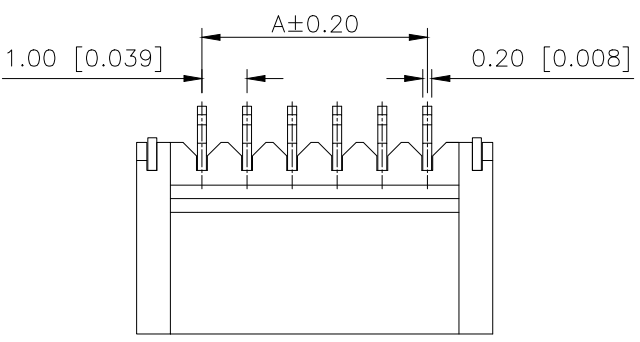
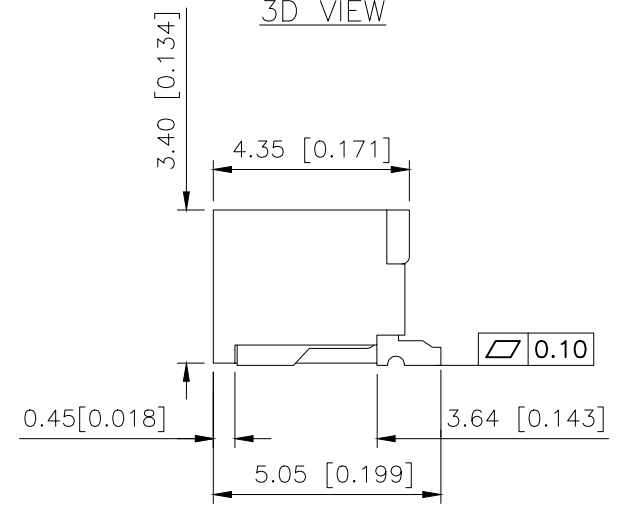


REVISIONS					
REV.	ECN NO.	LOCATION	DESCRIPTION	DATE	DESIGN
A0	N/A		INITIAL RELEASE	2024.03.27	



3D VIEW

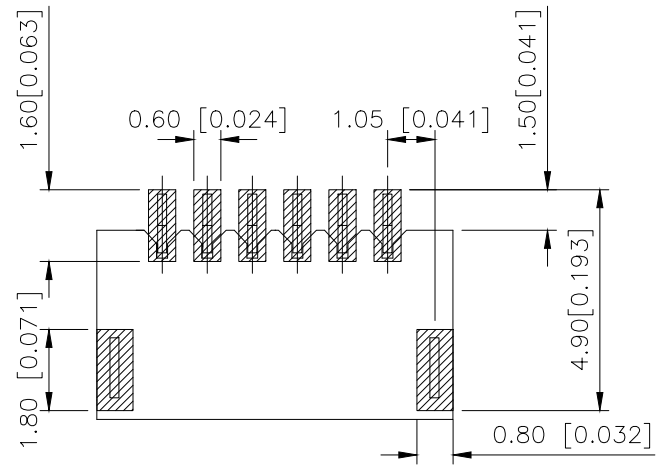
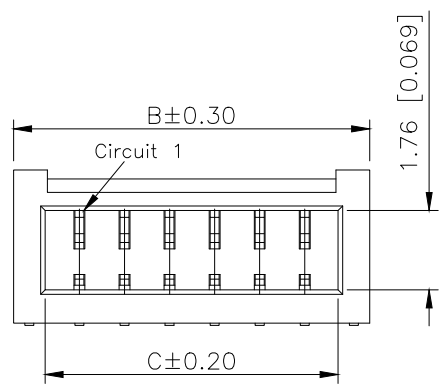
规格 Specifications:  
 额定电压 Voltage rating:125VAC/DC。  
 额定电流 Current rating:1A AC/DC  
 耐电压 Withstanding voltage:500V AC/minute  
 温度区间 Temperature range:-25°Cto+85°C  
 绝缘电阻 Insulation resistance:≥100MΩ Min  
 接触电阻 Contact resistance:≤20mΩ Max



PART NO.:

X1002 W R S-XX X HF-XX XX  
 ① ② ③ ④ ⑤ ⑥ ⑦ ⑧ ⑨

- ① Series No
- ② Category:W-Wafer
- ③ Welding Board Angle:R-Staight 90°
- ④ Welding Way:S-SMT
- ⑤ Row No -Pin No:XX-02P-20P
- ⑥ Plug the Pin & Special No:B-Ultra-thin With Lock
- ⑦ HF-Halogen Free
- ⑧ Material:9T-PA9T;1T-PA10T;HT-HTN 6T 94V-0
- ⑨ Planting Category:  
 SN-Bright tin plating 70u" Min.;30" Ni Min.  
 SW-Matte Tin plating 70u" Min.;30u" Ni Min.

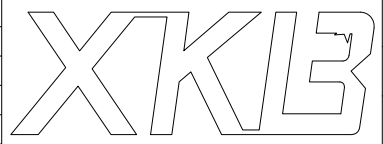


RECOMMENDED P.C.BOARD LAYOUT (TOLERANCE:±0.05)

Poles	Dimensions (mm)			Poles	Dimensions (mm)		
	A	B	C		A	B	C
02	1.00	3.30	2.50	12	11.00	13.90	12.50
03	2.00	4.80	3.50	13	12.00	14.90	13.50
04	3.00	5.80	4.50	14	13.00	15.90	14.50
05	4.00	6.80	5.50	15	14.00	16.90	15.50
06	5.00	7.80	6.50	16	15.00	17.90	16.50
07	6.00	8.80	7.50	17	16.00	18.90	17.50
08	7.00	9.80	8.50	18	17.00	19.90	18.50
09	8.00	10.80	9.50	19	18.00	20.90	19.50
10	9.00	11.80	10.50	20	19.00	21.90	20.50
11	10.00	12.80	11.50				

PART NO	Material	Material(Pin And Solder Tabs)	Finish(Pin And Solder Tabs)
X1002WRS-XXBHF-9TSW	PA9T UL 94V-0 (Halogen Free)		
X1002WRS-XXB-1TWS	PA10T UL 94V-0	Phorphos Bronze	Matte Tin Plating
X1002WRS-XXB-HTSW	HTN6T UL 94V-0		
X1002WRS-XXB-9TSW	PA9T UL 94V-0		Tin-Plated
X1002WRS-XXB-9TSN	PA9T UL 94V-0		

ANGLAR	±5°
X.	±0.40
X.x	±0.30
X.xx	±0.20
X.xxx	±0.15
UNSPECIFIED TOLERANCES	



DESIGN	桑 葦	VIEW:		MODEL TYPE:	1.00mm Crimp Style Connector
CHECKED		UNIT:	mm/in	PART NO.:	X1002WRS-XXXHF-XXXX
APPROVED		SIZE:	A4	DWG NO.:	

XKB INDUSTRIAL PRECISION CO.,LIMITED

SCALE	PAGE	REVISION
N/A	1/1	A0