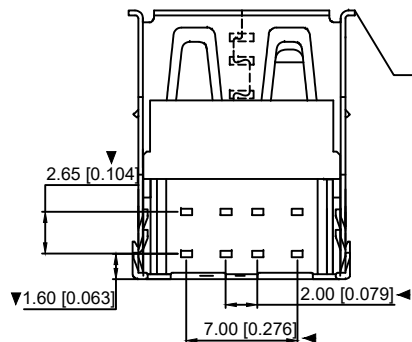


F:Flat

S:Scrolls



Housing Material: PBT UL94V-0, black/White  
Contact Terminal: Brass  
Metallic Shell: Brass/Spcc

U224-08XN-1XRZ21-XX

- 1:Au 1U"
- 6:Au 30U"
- 1:SPCC 5:BRASS
- S:Scrolls F:Flat
- B:Black R: Red O: Orange
- G: Green W: White T:Transparent
- 1:PBTP
- 2:PA6T
- 3:PA9T
- 4:LCP



DSND		SCALE: N/A	MODEL TYPE: USB 2.0
DWN		VIEW:	PART NO.:
CHKD		UNIT: mm/in	DWG NO.:
APPD		SIZE: A4	U224-08XN-1XRZ21-X-X
		WEIGHT	SHEET
			1/1
		REVISION	A0

MARK	DESCRIPTION	DATE	REVISED	APPROVED	ANGLAR	TOLERANCES
					±5°	UNSPECIFIED TOLERANCES
ΔX					L ≤ 4	±0.2
ΔX					4 < L ≤ 16	±0.3
ΔX					16 < L ≤ 63	±0.4
MARK					L > 63	±0.5