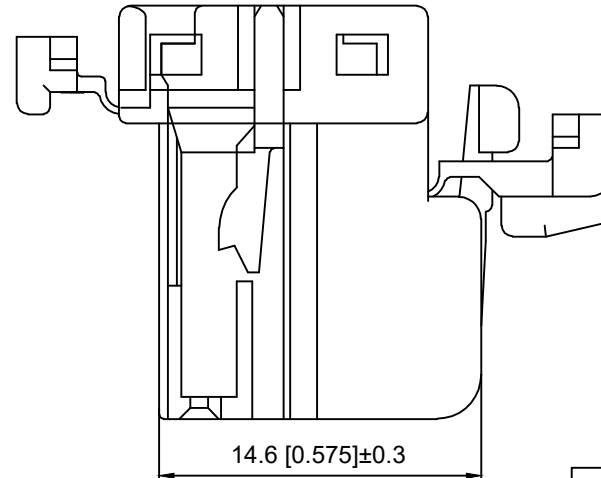
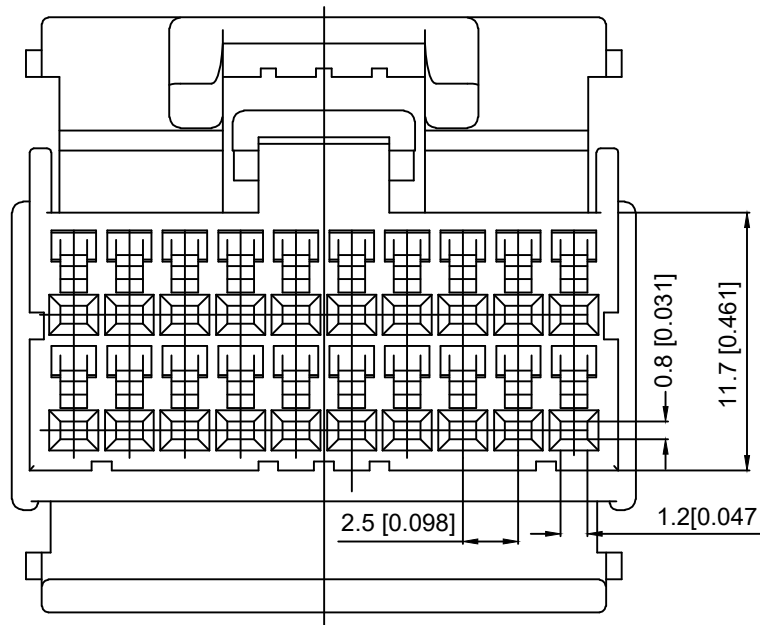


Current rating:3A AC/DC
 额定电流: 3A AC/DC
 Temperature range:-40°C-+125°C
 温度范围: -40°C-+125°C



K 174051 H M - 2xXX - N0
 ① ② ③ ④ ⑤ ⑥

- 1.K: XKBTEK-Car Connector
- 2.XKB Series No
- 3.Category:H-Housing
- 4.Category:M- Male Housing
- 4.Row No.Pin No:2xXX-2x10 Pin
- 5.Material:N0-PA66 UL94V-0

K174051H-2xXX-N0	PA66	K174051W	K174051T
PART NO	Material	Suitable XKB Wafer	Suitable XKB Terminal

DSND		SCALE: N/A	MODEL TYPE: 2.5mm Automobile connector
DWN		VIEW:	PART NO.: K174051H-2xXX-N0
CHKD		UNIT: mm/in	DWG NO.: X-K174051H-2xXX-N0
APPD		SIZE: A4	



XKB INDUSTRIAL PRECISION CO.,LIMITED

WEIGHT	SHEET	REVISION
	1/1	A0

MARK	DESCRIPTION	DATE	REVISED	APPROVED	ANGLAR	±5°
ΔX					L ≤ 4	±0.2
ΔX					4 < L ≤ 16	±0.3
ΔX					16 < L ≤ 63	±0.4
					L > 63	±0.5
REVISIONS					UNSPECIFIED TOLERANCES	
www.helloxkb.com www.helloxkb.cn www.xk-dg.cn						