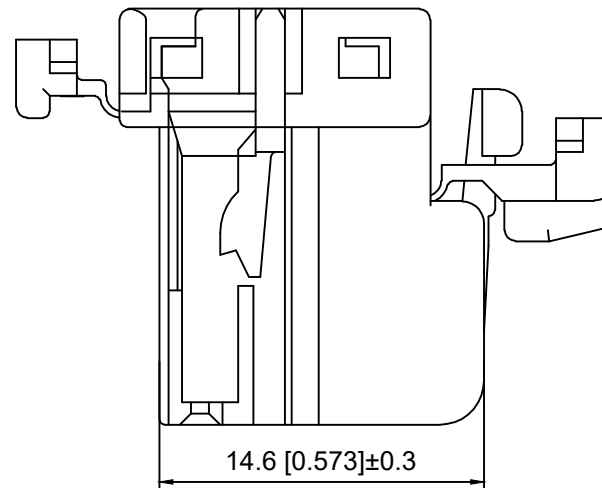
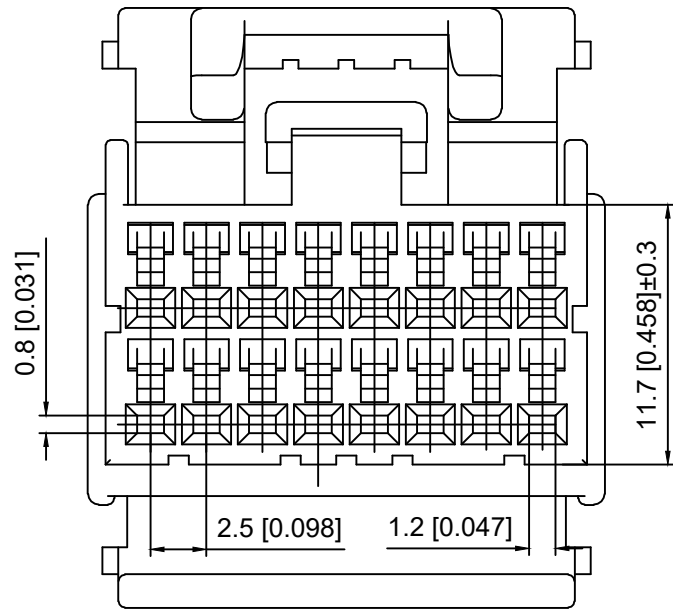


Current rating:3A AC/DC
 额定电流: 3A AC/DC
 Temperature range:-40℃-+125℃
 温度范围: -40℃-+125℃



K 174051 H M - 2xXX - N0
 ① ② ③ ④ ⑤ ⑥

- 1.K: XKBTEK-Car Connector
- 2.XKB Series No
- 3.Category:H-Housing
- 4.Category:M- Male Housing
- 4.Row No.Pin No:2xXX-2x08 Pin
- 5.Material:N0-PA66 UL94V-0

| | | | |
|------------------|----------|--------------------|-----------------------|
| K174051H-2xXX-N0 | PA66 | K174051W | K174051T |
| PART NO | Material | Suitable XKB Wafer | Suitable XKB Terminal |

| | | |
|------|-------------|---|
| DSND | SCALE: N/A | MODEL TYPE: 2.5mm Automobile connector |
| DWN | VIEW: | PART NO.: K174051H-2xXX-N0 |
| CHKD | UNIT: mm/in | DWG NO.: |
| APPD | SIZE: A4 | X-K174051H-2xXX-N0 |



XKB INDUSTRIAL PRECISION CO.,LIMITED

| | | |
|--------|-------|----------|
| WEIGHT | SHEET | REVISION |
| | 1/1 | A0 |

| MARK | DESCRIPTION | DATE | REVISED | APPROVED | ANGLAR | ±5° |
|---|-------------|------|---------|----------|------------------------|------|
| ΔX | | | | | L ≤ 4 | ±0.2 |
| ΔX | | | | | 4 < L ≤ 16 | ±0.3 |
| ΔX | | | | | 16 < L ≤ 63 | ±0.4 |
| MARK | | | | | L > 63 | ±0.5 |
| REVISIONS | | | | | UNSPECIFIED TOLERANCES | |
| www.helloxkb.com www.helloxkb.cn www.xk-dg.cn | | | | | | |