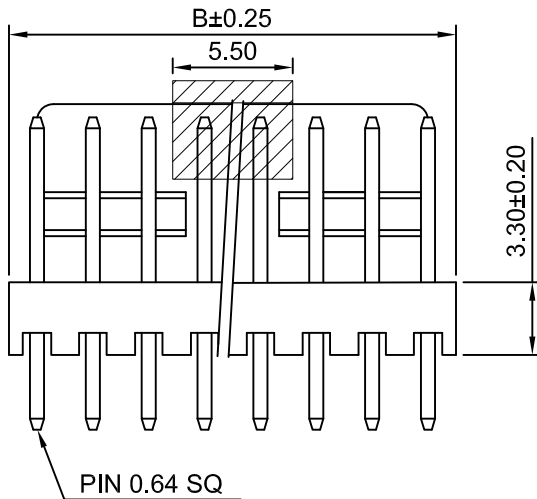
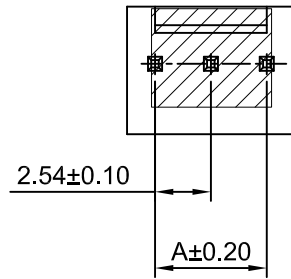
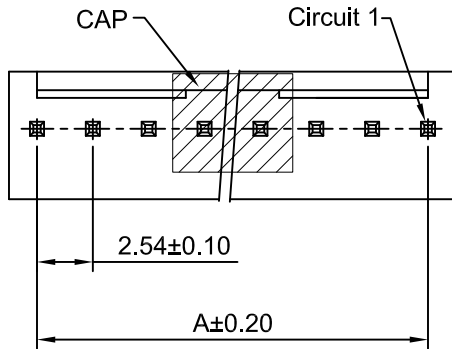
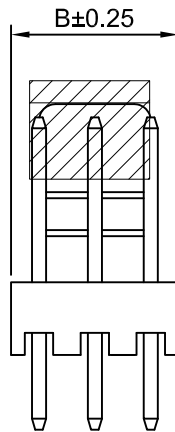


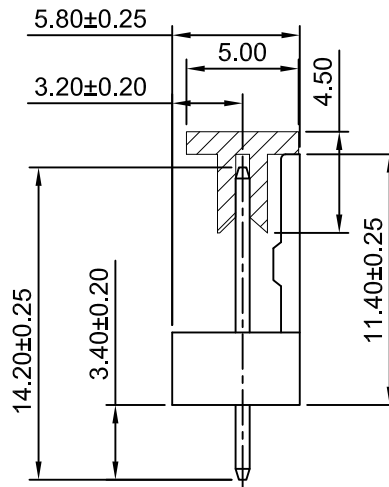
P.C.B LAYOUT
TOLERANCE:±0.05



7P~20P



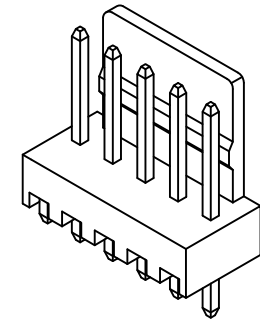
2P~6P



Ordering Information:

A2543WV-XP - *** - *** - *** - ***
1 2 3 4 5

- Part NO.
- Material:
(Blank): Nylon 66,UL94V-0(Beige)
LCP : LCP,UL94V-0(Beige)
- Color:
(Blank):see section 2 material
BK: Black
RD: Red
WH:White
- Finish:
(Blank): Tin over Nickel
G: Gold over Nickel(Au:1u")
G5: Gold over Nickel (Au:5u")
- Packing:
(Blank): Bag
CRE: Tape & Reel with cap



SPECIFICATIONS:

Current Rating: 4A AC,DC
Voltage Rating: 250V AC,DC
Temperature Range: -40°C ~ +105°C
Contact Resistance: 10mΩ Max
Insulation Resistance: 1000MΩ Min
Withstanding Voltage: 1000V AC/minute
Pin Material:Brass

Ordering Information & Dimensions

Part NO.	Dimensions(mm)		Part NO.	Dimensions(mm)	
	A	B		A	B
2P	2.54	5.08	12P	27.94	30.48
3P	5.08	7.62	13P	30.48	33.02
4P	7.62	10.16	14P	33.02	35.56
5P	10.16	12.70	15P	35.56	38.10
6P	12.70	15.24	16P	38.10	40.64
7P	15.24	17.78	17P	40.64	43.18
8P	17.78	20.32	18P	43.18	45.72
9P	20.32	22.86	19P	45.72	48.26
10P	22.86	25.40	20P	48.26	50.80
11P	25.40	27.94			

CJTconn CHANGJIANG CONNECTORS CO.,LTD.

Unit	Scale	Sheet	TITLE
mm	3:1	1 of 1	2.54mm PITCH VERTICAL WAFER
DRAWN	CHK'D	APPR	
Haisen Li	Diankui Wan	Jack Yin	
General Tolerances			THIRD ANGLE PROJECTION
A2	CHANGE THE DRAWING	2021.11.18	DRAWING NO. A2543WV-XP
A1	CHANGE THE DRAWING	2020.08.13	
A0	NEW RELEASE	2005.05.10	REV A2
REV	DESCRIPTION	DATE	