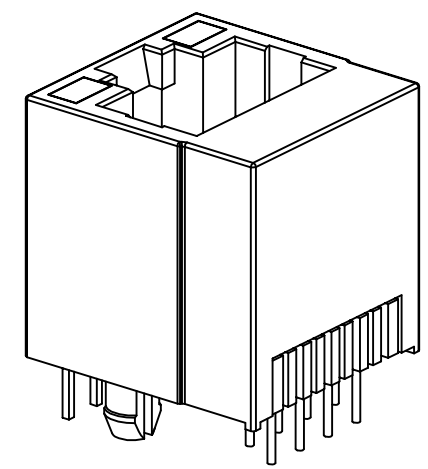


General Specification  
 Current Rating: 1.5A DC /Contact, 20mA DC for LED signals  
 Voltage Rating: 125V AC /Contact, 2.0 volts DC for LED signals  
 Operating Environment  
 Standard Temperature: -20°C~+70°C  
 Industrial Temperature: -40°C~+85°C  
 Humidity: 20~70%  
 Contact Resistance: ≤30mΩ  
 Insulation Resistance: ≥500MΩ  
 Dielectric Strength: 500V AC/(50HZ)/Min  
 Mating And Unmating Force: 3~20N  
 Durability: 750 Cycles Min

Material Specification  
 Housing :Thermo-plastic, UL94V-0.  
 Contact :Alloy Copper  
 Shield :Alloy Copper  
 Please refer to the customer drawing when customer has specified



4	LED灯	树脂/FE	2	NI/AG	
3	后盖	PA66	1	BLACK	
2	插针	PHOSPHOR BRONZE	8	"FU"	
1	塑座	PA46	1	BLACK	
序号	名称	材料	数量	镀层/颜色	备注

网络插座外形图



绘图: 吴素飞 日期: 2022.4.6  
 审核: 吴清德 日期:  
 核准: 日期:

一般公差		品名:	RCH-52-42(全塑带灯)绿黄 正负		
30~	±0.25	料号:	5242-8GY00010AB32 (RC00116)		
10~30	±0.20	型号:	RJ45	图号:	20210804-09
~10	±0.15	角度:	±2°		
页面:	1 of 1	版本:	单位:mm	比例: 1:1	纸张: A4

A/0 新出版发行

版次	变更履历	变更单号	绘制	日期	核准	日期
----	------	------	----	----	----	----