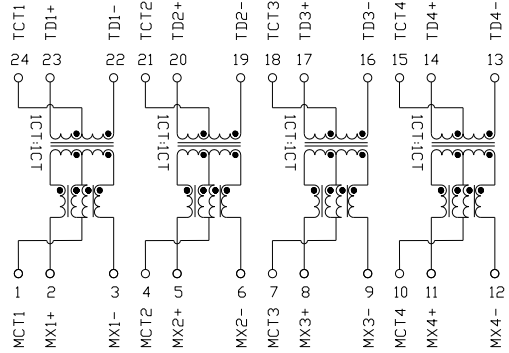
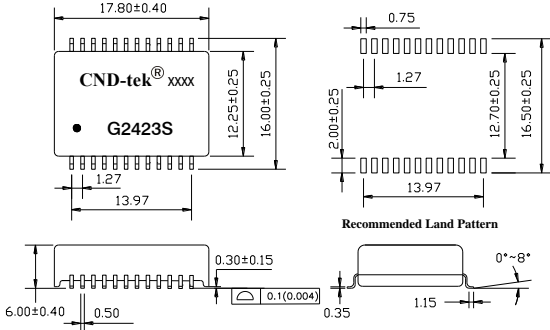


1. Designed for long haul Gigabit Ethernet 1000 Base-T, full duplex applications.
2. Supports four pairs of category 5 UTP cable.
3. Cable interface for isolation and low common mode emissions
4. Compliant with IEEE 802.3at standard for 1000 Base-Tesigned to support 1:1 Turns Ratio Transceivers.
5. Suitable For End-span and Mid-span POE Applications 720mA Current Capadility Per POE Port
6. Operating Temperature range: -40°C TO +85°C
7. storage temperature range: -40°C TO +125°C



### DIMENSIONS & SCHEMATICS

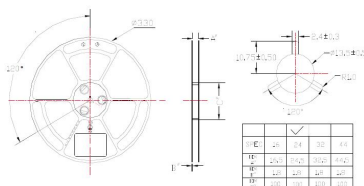


**Note:** 1. Dimension: mm, 2.Unless otherwise specified,tolerances are: ± 0.05mm

### TECHNICAL SPECIFICATIONS

OCL :	350 $\mu$ H Min. @ 100 KHz, 100mV with 8mA DC Bias
Leakage	0.5 $\mu$ H Max. @ 100KHz, 0.2V
Inductance: Cw/w:	28pF Max. @ 100KHz, 0.2V
DCR:	1.20 $\Omega$ Max.
Turns Ratio(±5%):	1CT:1CT(TX), 1CT:1CT(RX)
Polarity:	1-24, 4-21, 7-18, 10-15 In-Phase
Insertion Loss:	-1.0 dB Max. @ 1-100MHz -0.2-0.002*f <sup>1.4</sup> dB Max. @ 1-125 MHz
Return Loss:	-16dB Min. @ 1-30MHz -10+20*log <sub>10</sub> (f/60) dB Min. @ 30-60 MHz -10 dB Min.@ 60-80 MHz
Cross Talk:	-50 dB Min.@ 1 MHz -55+22*log <sub>10</sub> (f/10) dB Min.@ 10-100 MHz
Common Mode Rejection :	-50 dB Min.@ 2 MHz -15+20*log <sub>10</sub> (f/200) dB Min.@ 30-200 MHz
Isolation HI-POT:	1500Vrms 1mA 1Second

### PACKING SPECIFICATION



1. units/reel:420PCS
2. reel/carton:5PCS
3. units/carton :2100PCS

