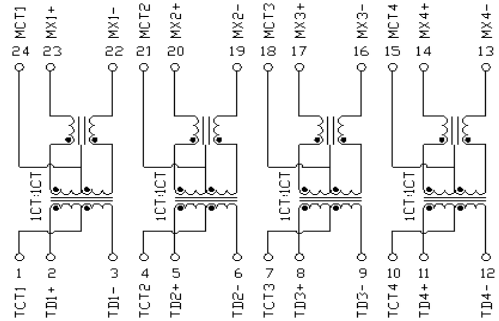
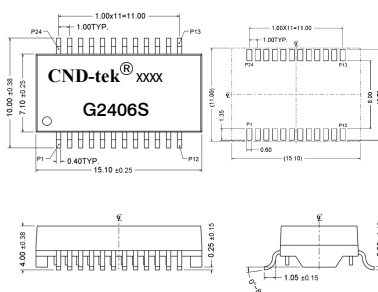


1. Designed for long haul Gigabit Ethernet 1000 Base-T, full duplex applications.
2. Supports four pairs of category 5 UTP cable.
3. Cable interface for isolation and low common mode emissions
4. Compliant with IEEE 802.3ab standard for 1000 Base-T
5. Designed to support 1:1 Turns Ratio Transceivers.
6. Operating Temperature range: 0°C TO +70°C
7. Storage temperature range: -25°C TO +125°C



DIMENSIONS & SCHEMATICS

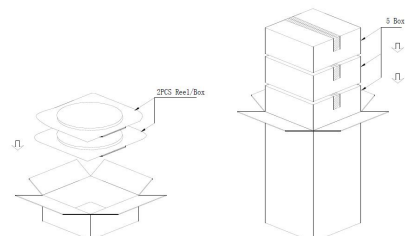
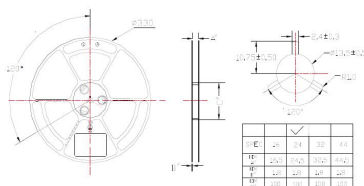


Note: 1. Dimension: mm, 2. Unless otherwise specified, tolerances are: ± 0.05 mm

TECHNICAL SPECIFICATIONS

| | |
|---------------------------|--|
| OCL : | 350 μ H Min. @ 100 KHz, 100mV with 8mA DC Bias |
| Leakage | 0.5 μ H Max. @ 100KHz, 0.2V |
| Inductance: Cw/w: | 28pF Max. @ 100KHz, 0.2V |
| DCR: | 1.20 Ω Max. |
| Turns Ratio($\pm 5\%$): | 1CT:1CT(TX), 1CT:1CT(RX) |
| Polarity: | 2-23, 5-20, 8-17, 11-14 In-Phase |
| Insertion Loss: | -1.0dB Max. @ 1-100MHz |
| Return Loss: | -16dB Min. @ 1-30MHz -12 dB Min. @ 30-60 MHz -10 dB Min. @ 60-80 MHz |
| Cross Talk: | -42 dB Min. @ 1-60 MHz -35 dB Min. @ 60-100 MHz |
| Common Mode Rejection : | -40 dB Min. @ 1-30 MHz -35 dB Min. @ 60 MHz -30 dB Min. @ 80-100 MHz |
| Isolation HI-POT: | 1500Vrms 1mA 1Second |

PACKING SPECIFICATION



1. units/reel:850PCS
2. reel/carton:5PCS
3. units/carton :4250PCS