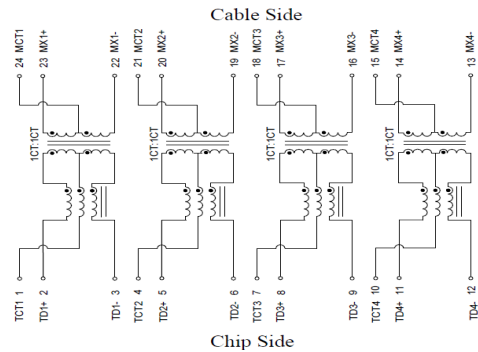
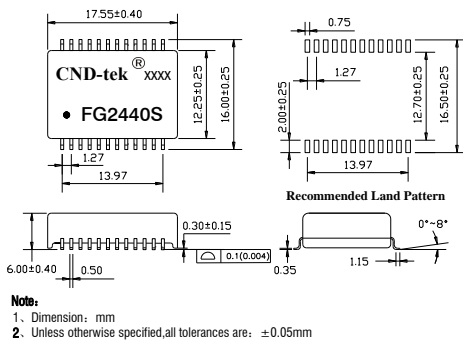


1. Designed for long haul 5G Single Port Transformer Module
2. Supports four pairs of category 5 UTP cable,Cable interface for isolation and low common mode emissions.
3. Low profile Surface Mount Packaging designed for Hi-Temp Reflow Process
4. Compliant with IEEE 802.3bz standard for 5G Base-Z,Designed to support 1:1 Turns Ratio Transceivers.



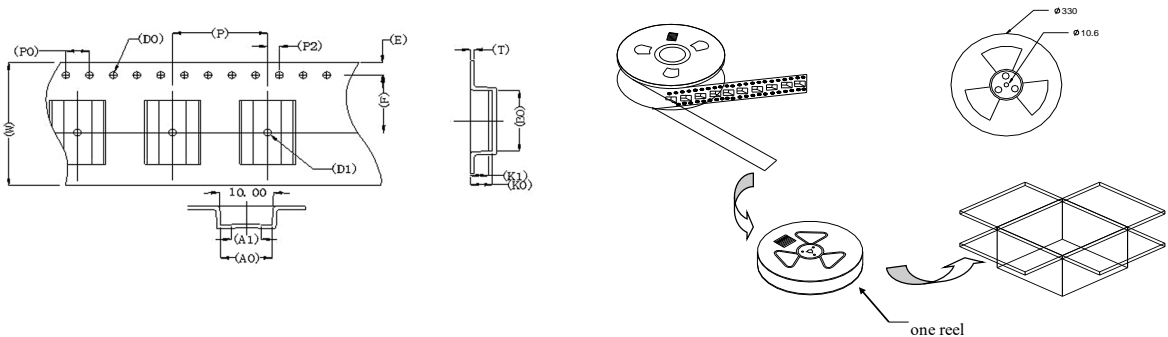
DIMENSIONS & SCHEMATICS



TECHNICAL SPECIFICATIONS

| | |
|------------------------------|---|
| OCL : | 150 μ H Min. @ 100 KHz, 100mV with 8mA DC Bias |
| Leakage Inductance: | 0.5 μ H Max. @ 100KHz, 0.2V |
| Cw/w: | 35 pF Max. @ 100KHz, 0.2V |
| DCR: | 1.20 Ω Max |
| Turns Ratio(\pm 5%): | 1CT:1(TX), 1CT:1(RX) |
| Polarity: | 1-24, 5-20, 7-18, 11-14 In-Phase |
| Insertion Loss: | -1.0 dB Max. @ 1-100MHz -2.0 dB Max. @ 101-250MHz |
| Return Loss: | -20 dB Min. @ 1-40MHz -20 + 15*Log(f/40)dB Min. @ 41-250 MHz |
| Cross Talk: | -39 dB Min.@ 1-100 MHz -25 dB Min.@ 101-250 MHz |
| Common Mode Rejection : | -25dB Min.@1-250MHz |
| Isolation HI-POT: | 1500Vrms 1mA 1Second |
| Operating Temperature range: | -40 $^{\circ}$ C ~ +85 $^{\circ}$ C |
| Storage temperature range: | -40 $^{\circ}$ C ~ +125 $^{\circ}$ C |

PACKING SPECIFICATION



1. units/reel:400PCS
- 2 reel/carton:5PCS
- 3.units/carton :2000PCS