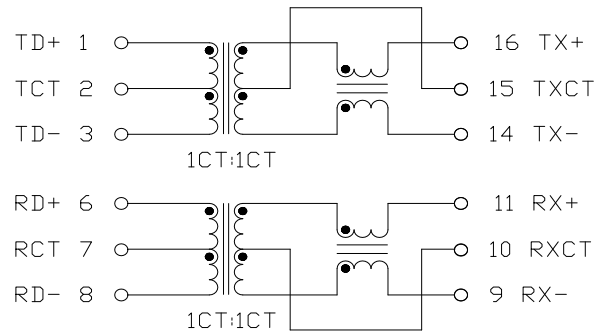
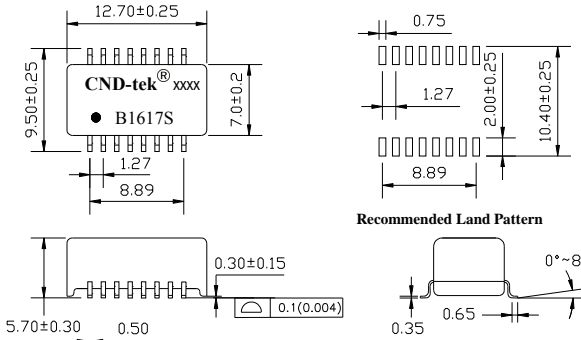


1. Compatible with various 10/100 POE Base-TX transceiver requiring 1:1 transmit and receive turns ratio
2. Compliant with IEEE 802.3af standard including baseline wander compensation specification of 350μH OCL when Biased at 8mA from 0 C to 70 C
3. Low profile Surface Mount Packaging designed for Hi-Temp Reflow Process
4. Single channel interface for 10/100Mbps Ethernet applications with CMC's tuned to Enhance EMC system performance
5. Suitable For End-span and Mid-span POE Applications 350mA Current Capadility Per POE Port
6. Operating Temperature range: -40 C TO +85 C
7. Storage temperature range: -40 C TO +125 C



DIMENSIONS & SCHEMATICS

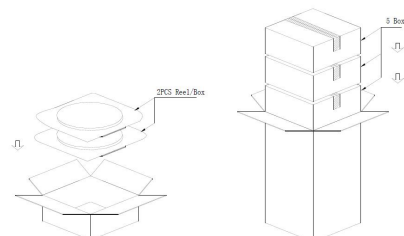
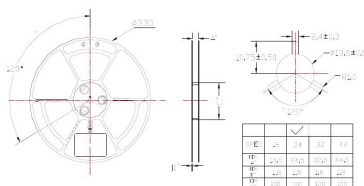


Note: 1. Dimension: mm, 2. Unless otherwise specified, tolerances are: ± 0.05mm

TECHNICAL SPECIFICATIONS

OCL :	350 μH Min. @ 100 KHz, 100mV with 8mA DC Bias
Leakage	0.5 μH Max. @ 100KHz, 0.2V
Inductance: Cw/w:	28pF Max. @ 100KHz, 0.2V
DCR:	1.20 Ω Max.
Turns Ratio(±5%):	1CT:1CT(TX), 1CT:1CT(RX)
Polarity:	1-16, 6-11 In-Phase
Insertion Loss:	-1.1 dB Max. @ 1-100MHz
Return Loss:	-20 dB Min. @ 30MHz -14 dB Min. @ 60 MHz -12 dB Min. @ 80 MHz
Cross Talk:	-42 dB Min. @ 1-60 MHz -35 dB Min. @ 60-100 MHz
Common Mode Rejection :	-45 dB Min. @ 30 MHz -40 dB Min. @ 60 MHz -35 dB Min. @ 100 MHz
Isolation HI-POT:	1500Vms 1mA 1Second

PACKING SPECIFICATION



1. units/reel:600PCS
2. reel/carton:10PCS
3. units/carton :6000PCS