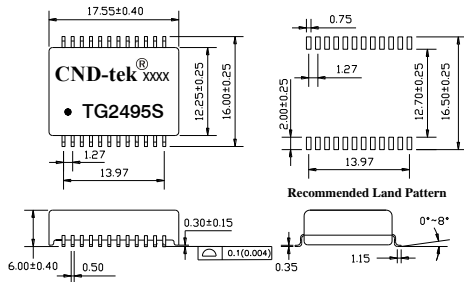


10G POE Single Port Transformer Module

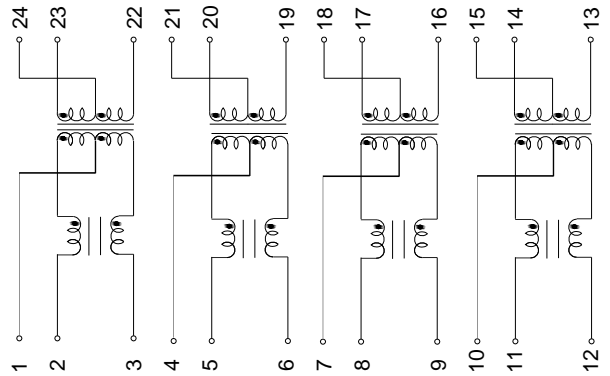
1. Designed for long haul 10G POE Single Port Transformer Module
2. Supports four pairs of category 5 UTP cable, Cable interface for isolation and low common mode emission .
- 3 . Low profile Surface Mount Packaging designed for Hi-Temp Reflow Process
4. Compliant with IEEE 802.3an&at. standard for 10G Base-Z, Designed to support 1:1 Turns Ratio Transceivers.
5. DC Line Current : 720mA Max @ 57V



DIMENSIONS & SCHEMATICS



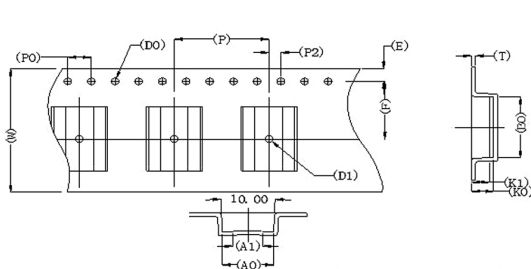
- Notes:**
1. Dimension: mm
 2. Unless otherwise specified, all tolerances are: ±0.05mm



TECHNICAL SPECIFICATIONS

OCL :	120 μ H Min. @ 100 KHz, 100mV with 8mA DC Bias
Leakage Inductance:	0.50 μ H Max. @ 100KHz, 0.2V
Cw/w:	35 pF Max. @ 100KHz, 0.2V
DCR:	1.00 Ω Max
Turns Ratio(\pm 5%):	1CT:1(TX), 1CT:1(RX)
Polarity:	2-23, 5-20, 8-17, 11-14 In-Phase
Insertion Loss:	-1.0 dB Max. @ 1-100MHz -1.5dB Max. @ 100-400MHz -2.0dB Max. @ 500MHz
Return Loss:	-18 dB Min. @ 1-40MHz -17 + 10log(f/40)dB Min@40-500MHz
Cross Talk:	-40dB Min.@ 1-100 MHz -30dB Min.@ 100-500 MHz
Common Mode Rejection :	-35dB Min@1-100MHz -30dB Min@100-300MHz -25dB Min@300-500MHz
Isolation HI-POT:	1500Vrms 2mA 60Second
Operating Temperature range:	-40 C ~+85 C
Storage temperature range:	-40 C ~ +125 C

PACKING SPECIFICATION



1. units/reel:400PCS
- 2 reel/carton:5PCS
- 3.units/carton :2000PCS

