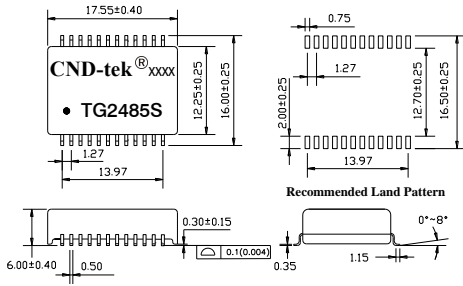


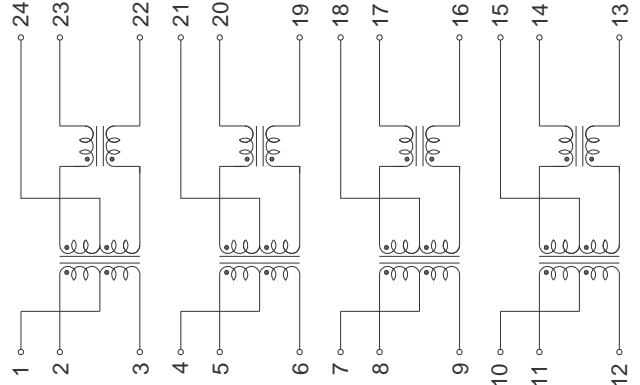
1. Designed for long haul 10G Single Port Transformer Module
2. Supports four pairs of category 5 UTP cable,Cable interface for isolation and low common mode emission .
- 3 . Low profile Surface Mount Packaging designed for Hi-Temp Reflow Process
4. Compliant with IEEE 802.3an standard for 10G Base-Z,Designed to support 1:1 Turns Ratio Transceivers.



DIMENSIONS & SCHEMATICS



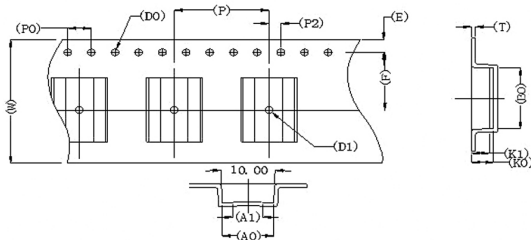
Note:
 1. Dimension: mm
 2. Unless otherwise specified,all tolerances are: $\pm 0.05\text{mm}$



TECHNICAL SPECIFICATIONS

OCL :	100 μH Min. @ 100 KHz, 100mV with 8mA DC Bias
Leakage Inductance:	0.50 μH Max. @ 100KHz, 0.2V
Cw/w:	35 pF Max. @ 100KHz, 0.2V
DCR:	1.00 Ω Max
Turns Ratio($\pm 5\%$):	1CT:1(TX), 1CT:1(RX)
Polarity:	2-23, 5-20, 8-17, 11-14 In-Phase
Insertion Loss:	-1.0 dB Max. @ 1-100MHz -3.0dB Max. @ 500MHz
Return Loss:	-18 dB Min. @ 1-40MHz -17 + 10log(f/40)dB Min@40-500MHz
Cross Talk:	-40dB Min.@ 1-100 MHz -30dB Min.@ 100-500 MHz
Common Mode Rejection :	-35dB Min@1-100MHz -25dB Min@100-300MHz -20dB Min@300-500MHz
Isolation HI-POT:	2250Vrms 2mA 60Second
Operating Temperature range:	-40 C ~ + 85 C
Storage temperature range:	-40 C ~ + 125 C

PACKING SPECIFICATION



1. units/reel:400PCS
- 2 reel/carton:5PCS
- 3.units/carton :2000PCS

