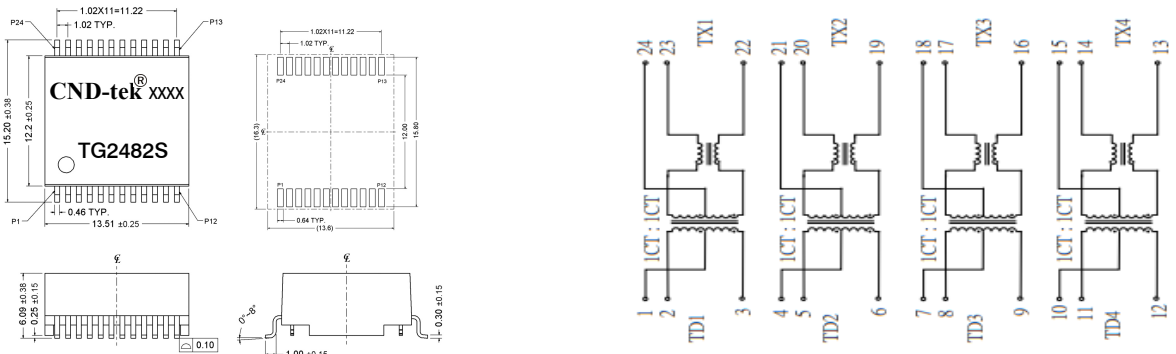


1. Designed for long haul 10G POE Single Port Transformer Module
2. Supports four pairs of category 5 UTP cable, Cable interface for isolation and low common mode emissions.
3. Low profile Surface Mount Packaging designed for Hi-Temp Reflow Process
4. Compliant with IEEE 802.3an&at standard for 10G Base-Z, Designed to support 1:1 Turns Ratio Transceivers.
5. DC Line Current : 720mA Max @ 57V



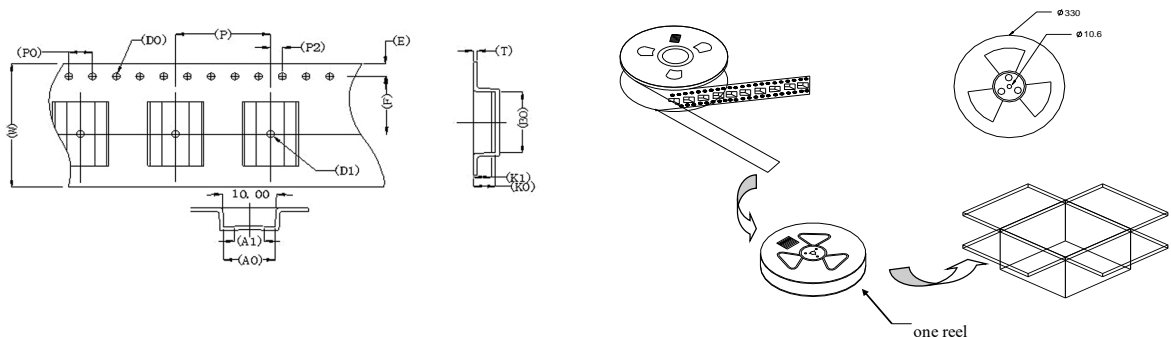
DIMENSIONS & SCHEMATICS



TECHNICAL SPECIFICATIONS

| | |
|------------------------------|--|
| OCL : | 100 μ H Min. @ 100 KHz, 100mV with 15mA DC Bias |
| Leakage Inductance: | 0.35 μ H Max. @ 100KHz, 0.1V |
| Cw/w: | 35 pF Max. @ 100KHz, 0.1V |
| DCR: | 1.00 Ω Max |
| Turns Ratio(\pm 5%): | 1CT:1(TX), 1CT:1(RX) |
| Polarity: | 1-24, 4-21, 7-18, 10-15 In-Phase |
| Insertion Loss: | -1.0 dB Max. @ 1-100MHz -2.0dB Max. @ 100-250MHz -3.0 dB Max. @ 250-500MHz |
| Return Loss: | -15 dB Min. @ 1-100MHz -13 Min@ 100-250 MHz -10dB Min.@ 250-500 MHz |
| Cross Talk: | -30 dB Min.@ 1-500 MHz |
| Common Mode Rejection : | -30 dB Min.@ 1-500 MHz |
| Isolation HI-POT: | 1500Vrms 1mA 60Second or 1650VAC 1mA 6S |
| Operating Temperature range: | -40 C ~+ 85 C |
| Storage temperature range: | -40 C ~+ 125 C |

PACKING SPECIFICATION



- 1. units/reel:400PCS
- 2 reel/carton:5PCS
- 3.units/carton :2000PCS