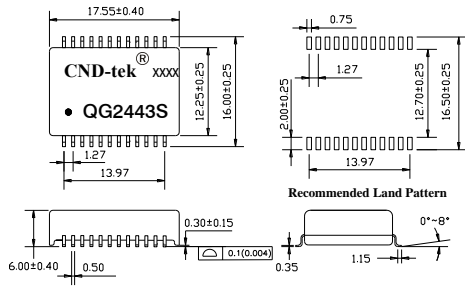


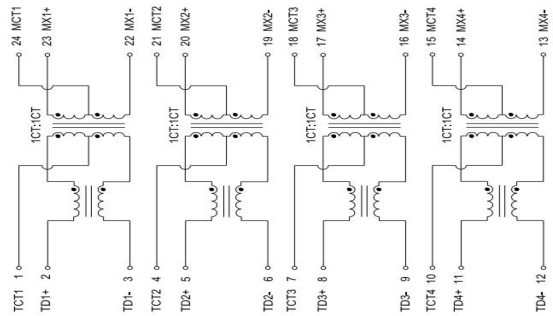
1. Designed for long haul 2.5G POE+ Single Port Transformer Module
2. Supports four pairs of category 5 UTP cable,Cable interface for isolation and low common mode emissions.
- 3 .Low profile Surface Mount Packaging designed for Hi-Temp Reflow Process
4. Compliant with IEEE 802.3bz&at. standard for 2.5G Base-Z,Designed to support 1:1 Turns Ratio Transceivers.
5. DC Line Current : 720mA Max @ 57V



DIMENSIONS & SCHEMATICS



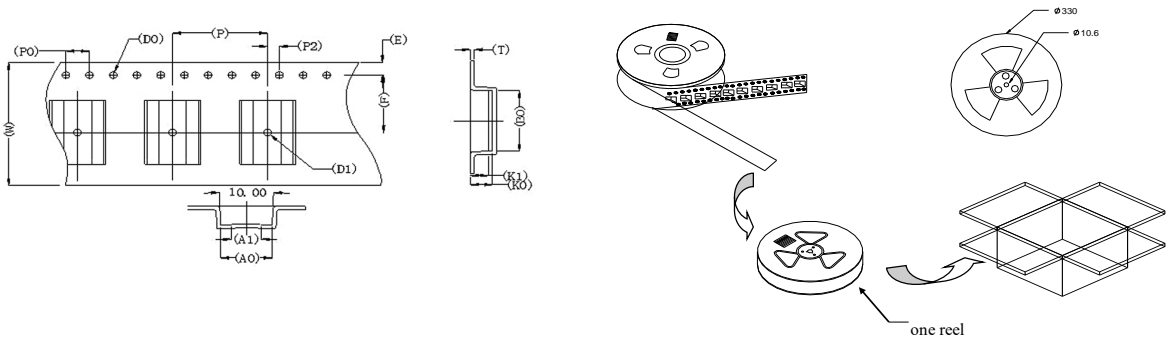
- Note:**
1. Dimension: mm
 2. Unless otherwise specified, all tolerances are: ±0.05mm



TECHNICAL SPECIFICATIONS

OCL :	180 μ H Min. @ 100 KHz, 100mV with 8mA DC Bias
Leakage Inductance:	0.5 μ H Max. @ 100KHz, 0.1V
Cw/w:	30 pF Max. @ 100KHz, 0.1V
DCR:	1.20 Ω Max
Turns Ratio(\pm 5%):	1CT:1(TX), 1CT:1(RX)
Polarity:	1-24, 4-21, 7-18, 10-15 In-Phase
Insertion Loss:	-1.0 dB Max. @ 1-100MHz -1.5dB Max. @ 100-125MHz
Return Loss:	-16 dB Min. @ 1-40MHz -14.25 dB Min. @ 40-60 MHz -12dB Min. @ 60-100 MHz -11.05dB Min. @ 100-125 MHz
Cross Talk:	-30dB Min.@ 1-125 MHz
Common Mode Rejection :	-25dB Min.@ 1-125 MHz
Isolation HI-POT:	1500Vrms 1mA 1Second
Operating Temperature range:	-40°C ~ +85°C
Storage temperature range:	-40°C ~ +125°C

PACKING SPECIFICATION



1. units/reel:400PCS
- 2 reel/carton:5PCS
- 3.units/carton :2000PCS