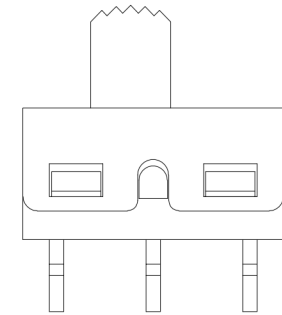


CIRCUIT DIAGRAM



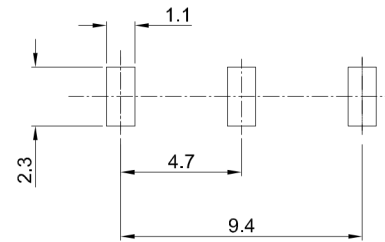
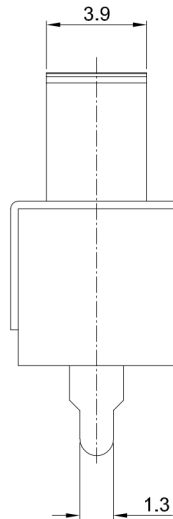
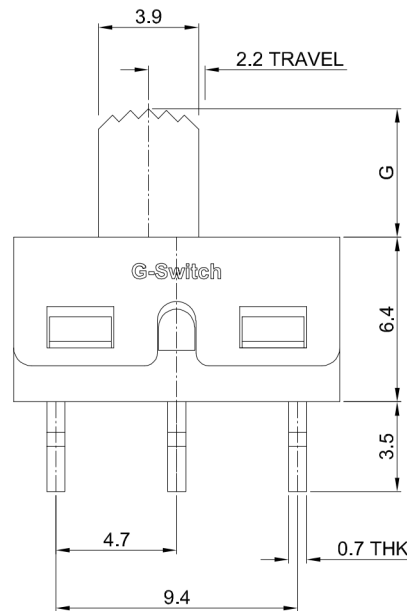
SS-12D10-GXXX

SS: Straight shank

G-Switch P/N

Switch Height (mm)

- G=020(2.0)G=030(3.0)
- G=040(4.0)G=050(5.0)
- G=055(5.5)G=060(6.0)
- G=065(6.5)G=070(7.0)
- G=075(7.5)G=080(8.0)
- G=085(8.5)G=090(9.0)
- G=095(9.5)G=100(10.0)



RECOMMENDED PCB LAYOUT
TOLERANCE: ±0.05

G-Switch Specification:

1. Operating temperature range: -40°C ~ +85°C
2. Rating: 3A, 24V DC
3. Insulation resistance: 100MΩ min, 100V DC
4. Dielectric strength: 250V AC for 1 min
5. Contact resistance: 50mΩ max.
6. Travel: 2.2±0.1mm

7	STEEL BALL	STEEL	NATURAL
6	SPRING	STAINLESS STEEL	NATURAL
5	CONTACT	STAINLESS STEEL	Ag PLATING
4	TERMINAL	COPPER ALLOY	Ag PLATING
3	BASE	PA66	BLACK
2	COVER	STAINLESS STEEL	NATURAL
1	KNOB	PA66	BLACK
NO.	PART NAME	MATERIAL	REMARK



RoHS
Compliant
EU RoHS Standards



SCALE: 1:1 UNIT: mm
SIZE: A4

Unless otherwise
General Tolerance:
X ±0.40
X.x ±0.30
X.xx ±0.20
X* ±5°
X.x* ±3°

Title: Vertical Slide Switch
DIP 12.7×6.6×H6.4mm

Molde Code: SS-12D10-GXXX

DRAWN	CHECKED	APPROVED	DATE
Xia	Chen	Chen	2023.02.01

品赞科技®
b-Switch
www.dg-switch.com

REV: A0 SHEET: 1/1