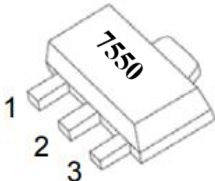


Features > 采用CMOS 工艺制造 > 高输入电压：30V > 全电压、全电流、全温下输出电压冗余范围±2% > 稳定输出电流达 150mA	Max V_{in}	V_o	ID
	30V	5V	150mA
Application > 电池等电源的供 电设备 > 通信设备 > 音频/视频设备 > 安防监控设备			
Package  Marking and pin assignment	Pin No.	Name	Explication
	1	Vout	输出
	2	GND	芯片地
	3	Vin	输入

Package Marking and Ordering Information

Device Marking	Device	Device Package	Quantity
7550	7550	SOT89-3	1000

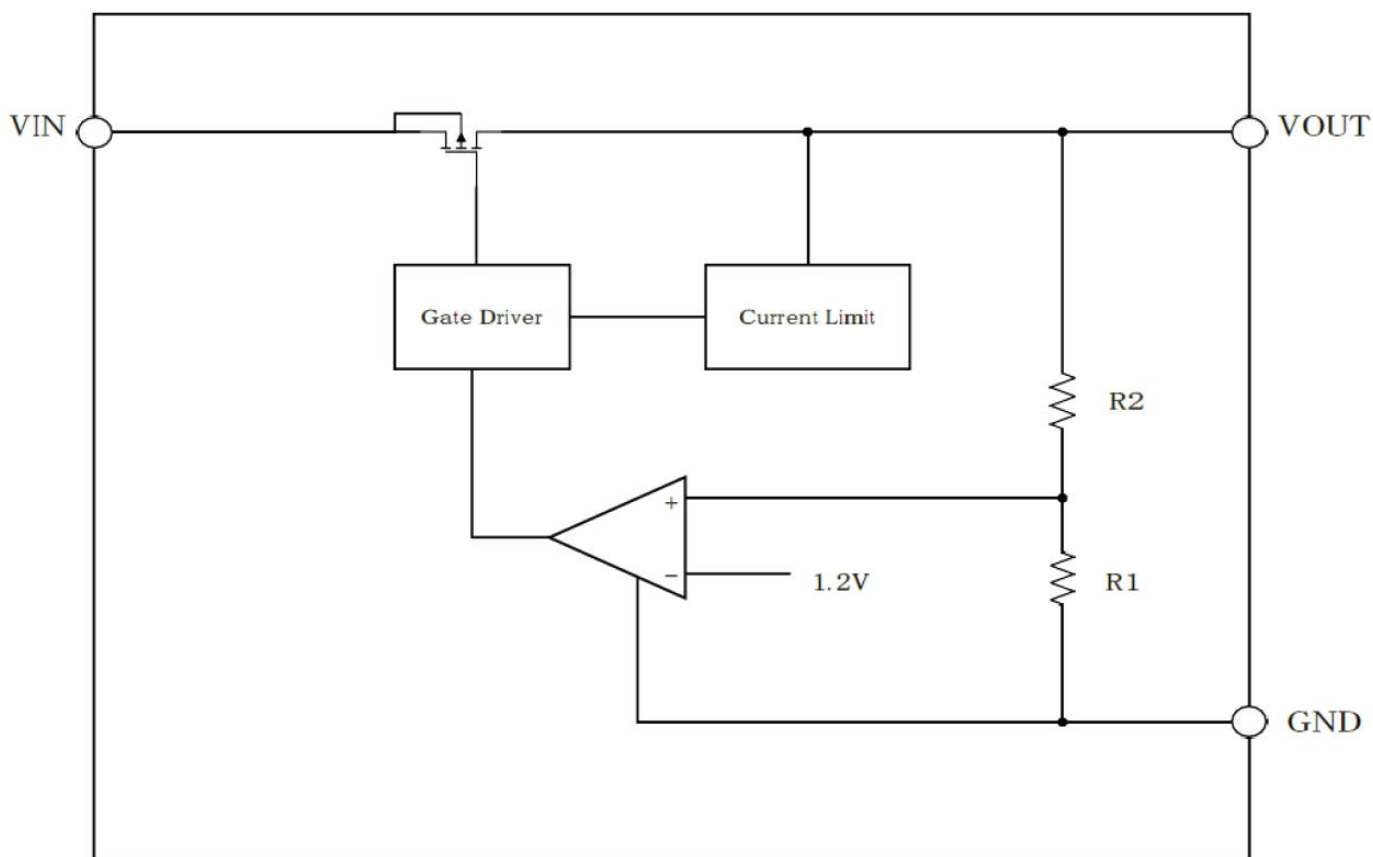
Absolute Maximum Ratings ($T_c=25^{\circ}\text{C}$ unless otherwise specified)

Description	Symbol	Maximum limit value	Unit
输入电压	$V_{IN} \sim G_{ND}$	30	V
输出电压	$V_{out} \sim G_{ND}$	15	V
电流	I	内部限定	mA
工作温度	T_w	-20~70	$^{\circ}\text{C}$
存储温度	T_c	-50~125	$^{\circ}\text{C}$
焊接温度	T_h	260	$^{\circ}\text{C}$
人体模式	HBM	4	KV
机械模式	MM	100	V

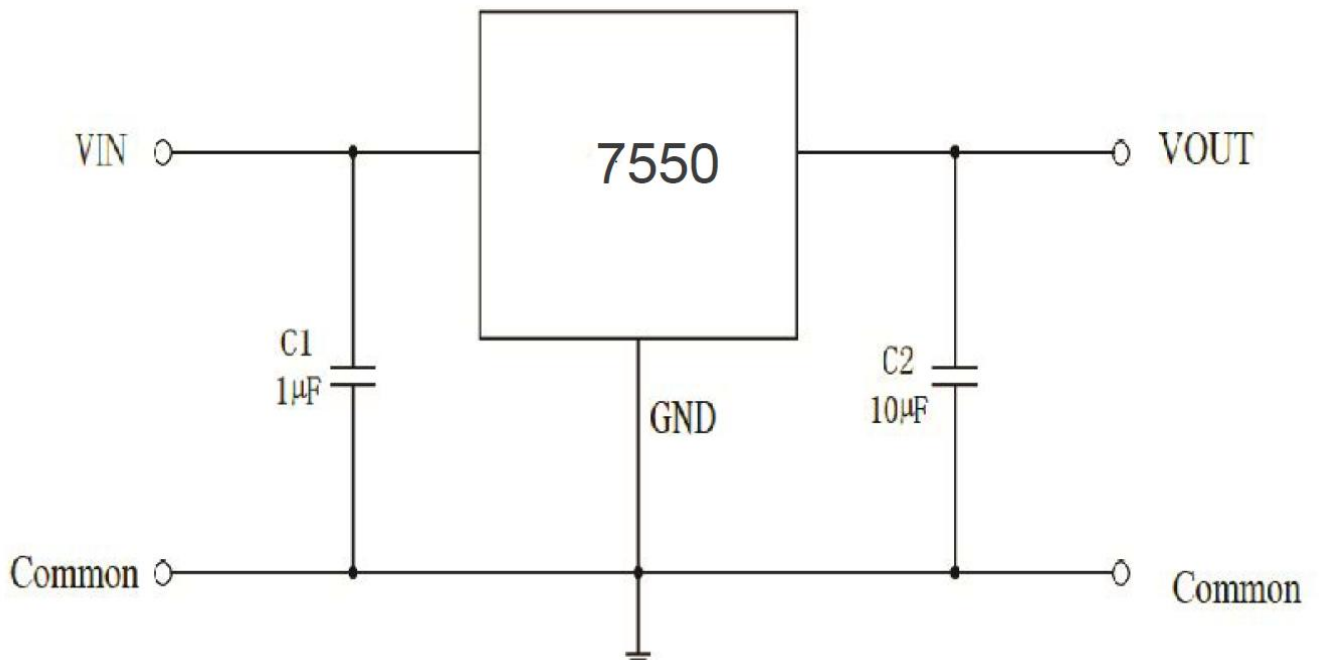
以上表格参数代表电路能够承受的极限范围。达到或者超过这个参数，电路不能正常工作，并且很大可能会损坏。并且长期工作在临界极限参数，也是会大大增加损坏的几率。

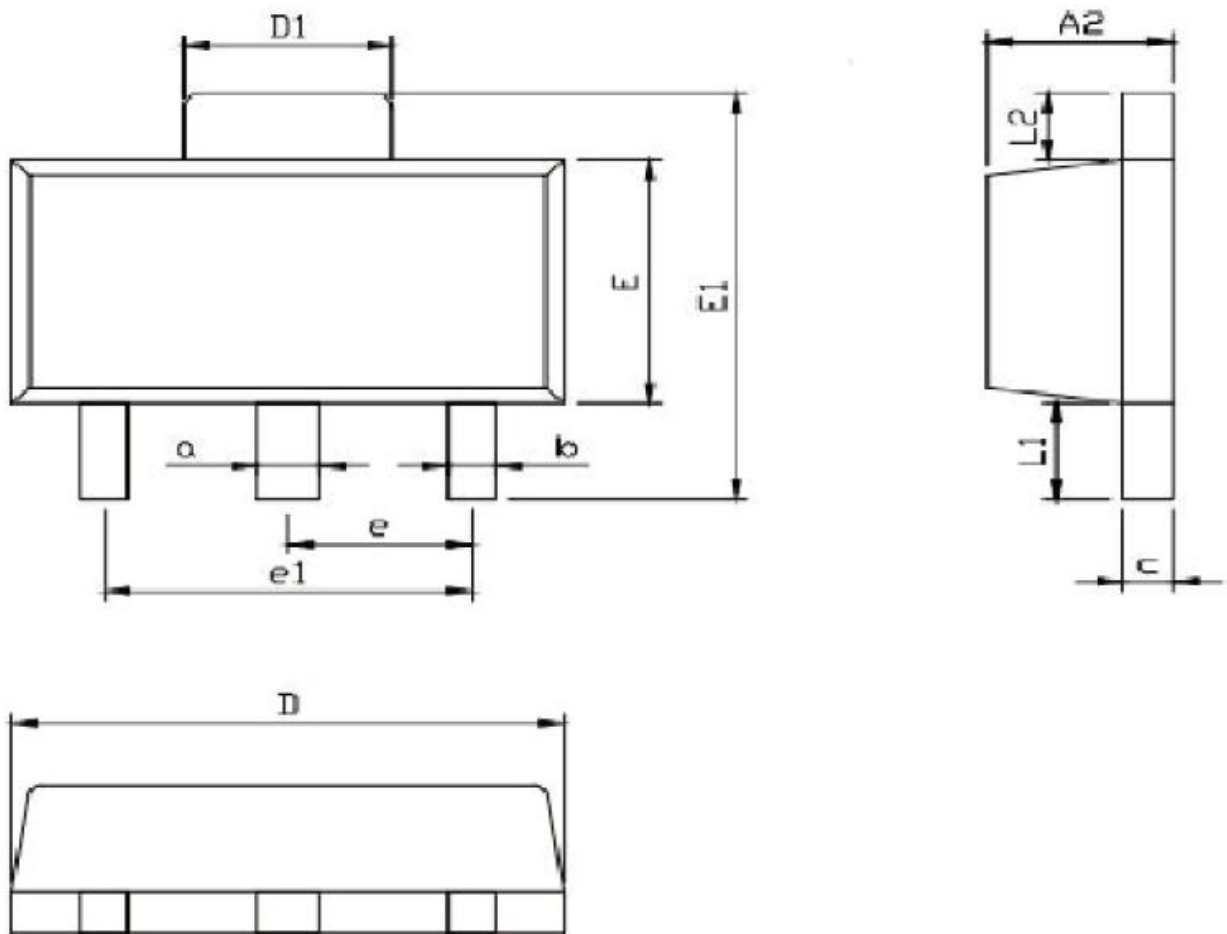
Electrical Characteristics ($T_j=25^{\circ}\text{C}$ unless otherwise noted)

Parameter	Symbol	Test Conditions	Min	Typ	Max	Units
输入电压	V_{IN}	空载	3	--	24	V
静态电流	V_{GND}	$V_{IN}=12\text{V}$, 空载	--	--	3	μA
输出精度	V_o	$V_{IN}=12\text{V}$, $I_{OUT}=10\text{mA}$	-2%	--	2%	V_{OUT}
输出电流	I_{OUT_MAX}	最大输出电流	--	150	--	mA
压差	Dropout Voltage	输出为 150mA	--	700	900	mV
		输出为 100mA	--	500	600	mV
负载调整率	ΔV_{OUT}	在 $V_{IN}=10\text{V}$ 时, 输出电流从 1mA 到 150mA	--	45	80	mV
线性调整率	$\frac{\Delta V_{OUT} \times 100}{\Delta V_{IN}} \times V_{OUT}$	输出为 10mA 时, 输入电压为 $V_{OUT}+2\text{V}$ 到 32V 时	--	0.15	--	%/V
短路电流	I_{SHORT}	输出对地短路电流	--	100	--	mA

Typical application


Application Circuit



Package Dimensions
SOT89-3


REF.	Millimeter		REF.	Millimeter	
	Min.	Max.		Min.	Max.
A2	1.4	1.6	E	2.40	2.60
a	0.45	0.55	E1	4.00	4.30
b	0.38	0.48	e	1.00	2.00
c	0.36	0.46	e1	2.95	3.05
D	4.40	4.60	L1	0.80	1.00
D1	1.60	1.80	L2	0.65	0.75



Important Notice and Disclaimer

HL Microelectronics reserves the right to make changes to this document and its products and specifications at any time without notice.

Customers should obtain and confirm the latest product information and specifications before final design, purchase or use.

HL Microelectronics makes no warranty, representation or guarantee regarding the suitability of its products for any particular purpose, not does HL Microelectronics assume any liability for application assistance or customer product design.

HL Microelectronics does not warrant or accept any liability with products which are purchased or used for any unintended or unauthorized application.

No license is granted by implication or otherwise under any intellectual property rights of HL Microelectronics.

HL Microelectronics products are not authorized for use as critical components in life support devices or systems without express written approval of HL Microelectronics.