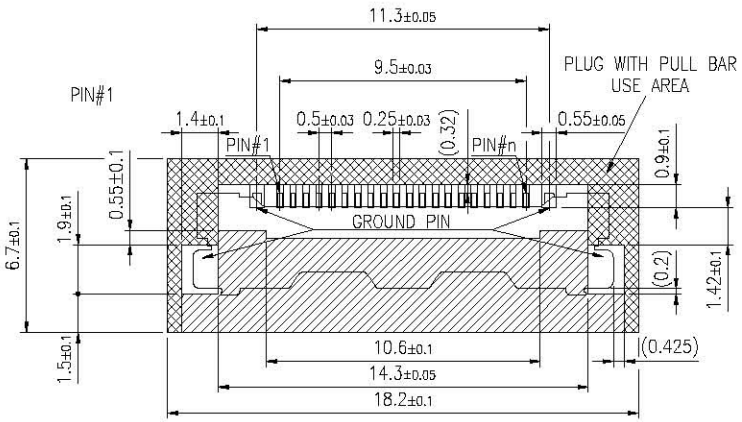
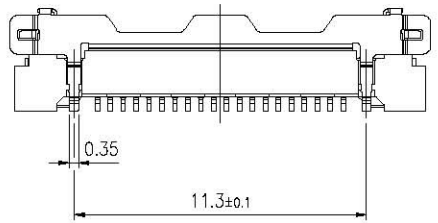
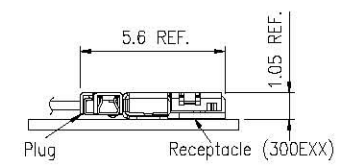
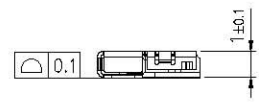
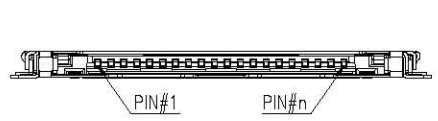
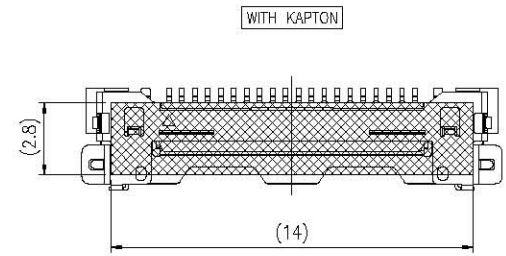
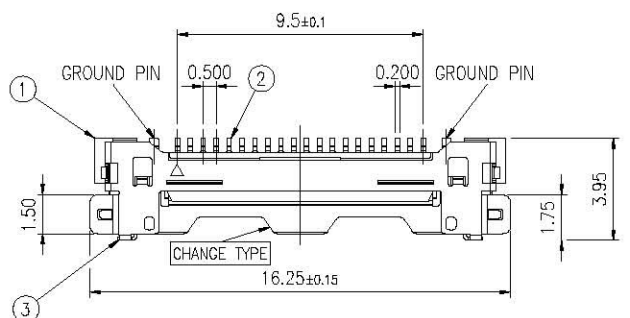


REV.	ECN. NO.	APPD.



RECOMMENDED P.C. BOARD LAYOUT

- NOT VIA/TRACE/TEST POINT AREA  
PLUG WITH PULL BAR USE AREA
- NOT VIA/TRACE/TEST POINT AREA  
RECEPTACLE & PLUG USE AREA

3	SHELL	1	STAINLESS STEEL	GOLD FLASH OVER NICKEL
2	CONTACT	20	COPPER ALLOY	CONTACT AREA : Au(5-7) OVER NICKEL SOLDERING AREA : GOLD FLASH OVER NICKEL
1	HOUSING	1	GLASS FILLED LCP COLOR:BLACK	
NO.	DESCRIPTION	QTY.	MATERIAL	FINISH

X.±	X'.±	UNITS	mm	NAME(INTENDED USE)	深圳市连欣科技有限公司
.X± 0.2	.X'± 2'	MAT'L		成品图	
.XX± 0.1	.XX'±1'		N/A	PART NO.(INTENDED USE)	TITLE: 0.5PH LVDS CONN FOR 20PIN
.XXX±	.XXX'±		N/A	20455-020E-02	
THE GENERATED DRAWING IS BY ACAD, PROE OR IDEAS.DO NOT CHANGE BY HAND.				APPD: JM.Wang 20180726	DWG NO.: LVDS2045500-3
				CHKD: JM.Wang 20180726	
				DR: JM.Wang 20180726	
					SCALE SHEET REV.
				N/A	1/1 A