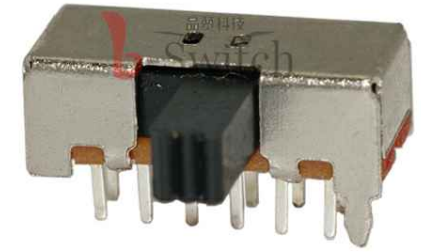


P.C.B LAYOUT  
BOTTOM VIEW



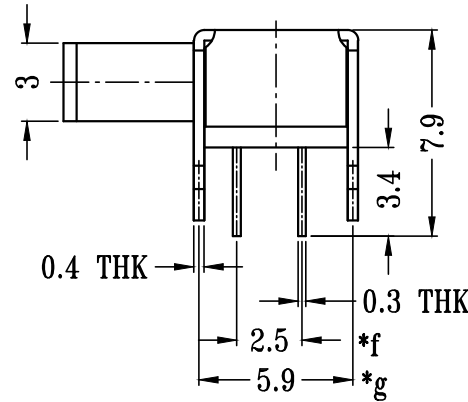
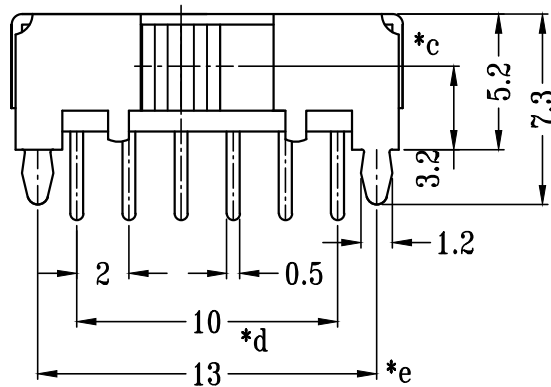
SK-42D01-GXXX

横柄

G-Switch P/N

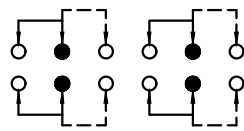
Switch Height (mm)

- G020=2.0 G030=3.0
- G040=4.0 G050=5.0
- G055=5.5 G060=6.0
- G065=6.5 G070=7.0
- G075=7.5 G080=8.0
- G085=8.5 G090=9.0
- G095=9.5 G100=10.0



G-Switch Specification:

Electrical Specifications: 1.0A/DC24V  
 Contact resistance (CR): ≤50mΩ  
 Insulation Resistance(IR): ≥100MΩ DC250V  
 Compressive strength (WV): AC250V 1minute  
 Operating temperature: -25°C~+70°C  
 Storage humidity: <85%RH  
 Electrical life: 10,000Cycles.



SCHEMATIC (SHORTING)



G-Switch Electronic (HongKong) CO.,Ltd.

Unless otherwise specified, Tolerance:  
 X. ±0.30  
 X.x ±0.20  
 X.xx ±0.15  
 X.xxx ±0.10  
 Angles ±3°

DESIGN FengFengChen	DATE 2019.05.29	Molde code:	
CHECKED	DATE	SK-42D01-GXXX	
APPROVED	DATE		
<a href="http://www.dg-switch.com">http://www.dg-switch.com</a>		REV.: X1	SCALE: 4:1
TEL:0769-82388879		SIZE: A4	SHEET: 1/1

