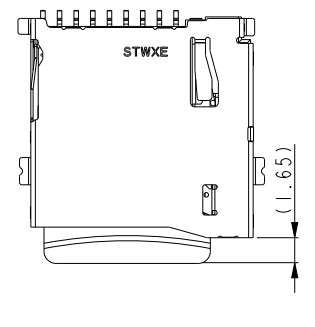
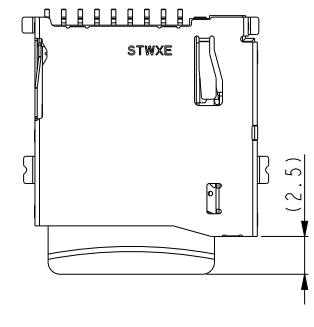
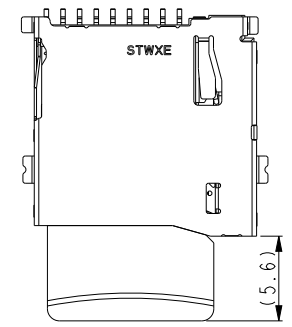
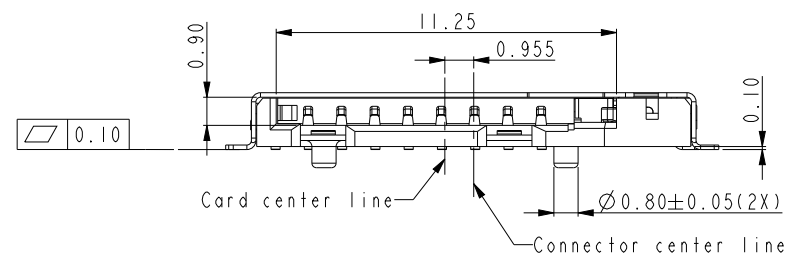
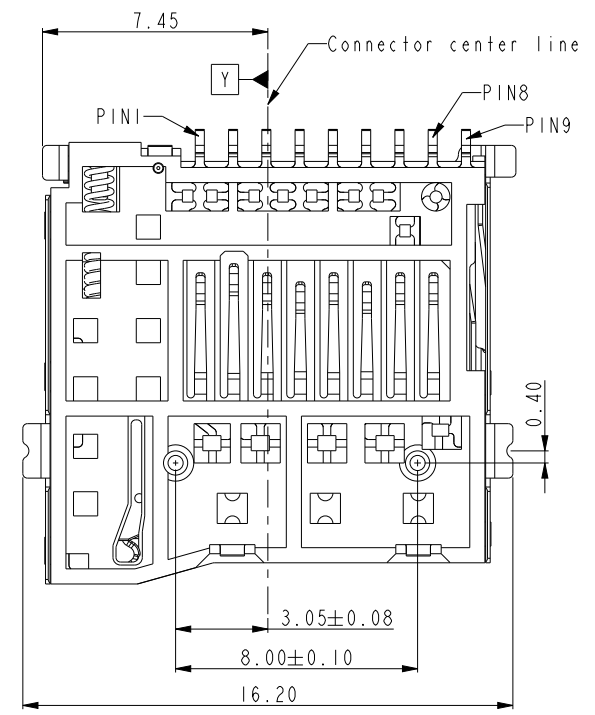
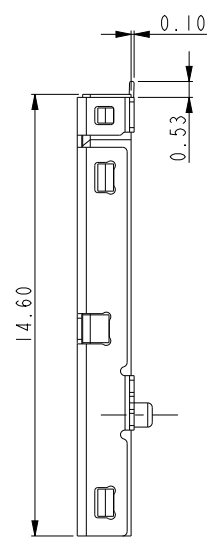
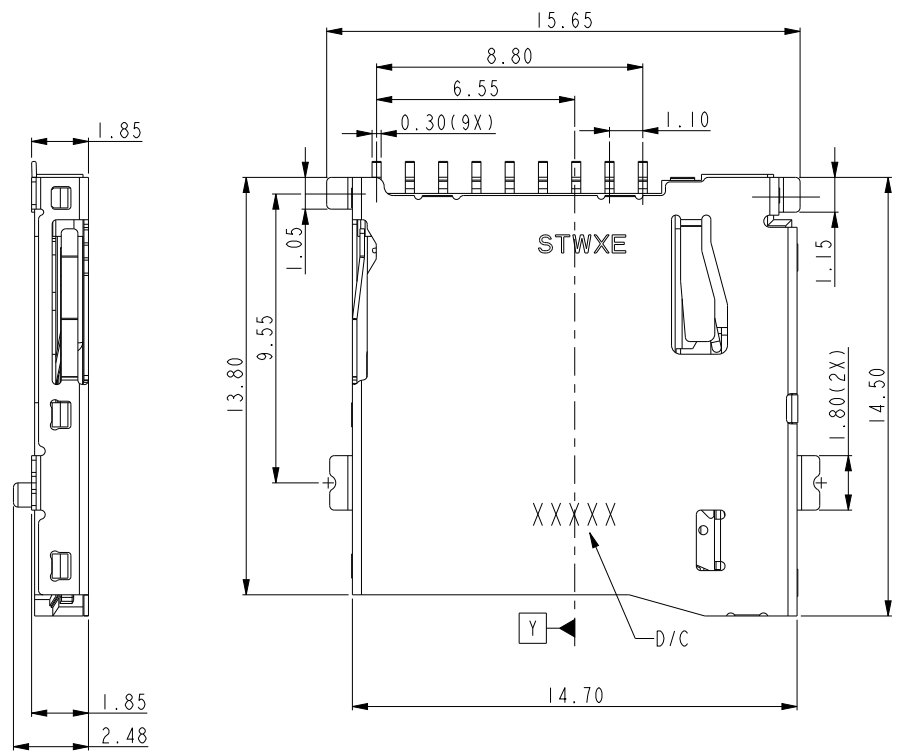


REV.	ECN Number	Description	Drawn
1	E15110050	初版发行	YH
2	E16050004	压挂钩弹片加宽(位置第1页C4)	YH



Card Push Out

Card Working

Card Push In



TOLERANCE UNLESS OTHERWISE SPECIFIED			
X.X	±0.30	X.°	±3°
X.XX	±0.20	X.X°	±2°
X.XXX	±0.10	X.XX°	±1°

SCALE	4:1
UNIT	mm
SIZE	A4

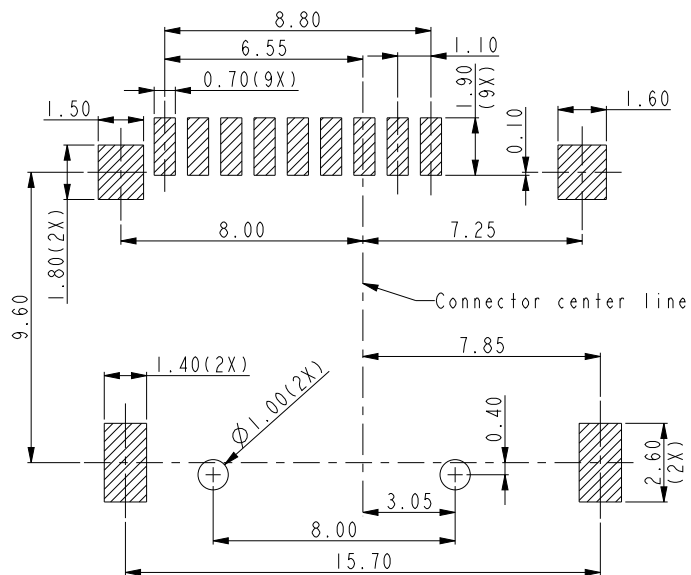
ORIGINAL DRAWN:	YH	DATE	2016/05/03
CHECK:	Yhong	DATE	2016/05/04
APPROVE:	Ady zhou	DATE	2016/05/04

DGW. NO.	600-0000-0115
PARTS NO. (INTENDED USE)	ACBS-08BK-H-006

TITLE	(MICRO SD CONNECTOR) CUSTOMER DRAWING
-------	--

REV.	2
SHEET	1/3

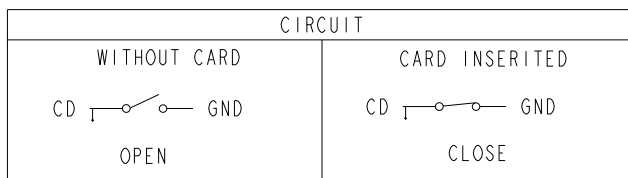
▨ : PAD AREA



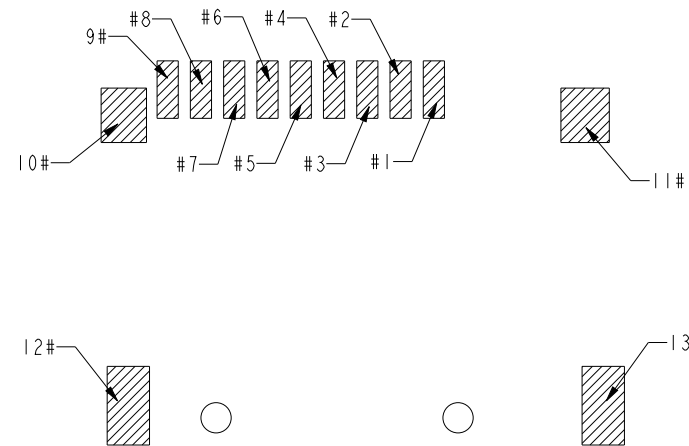
RECOMMENDED P.C.B LAYOUT  
(GENERAL TOLERANCE ±0.05)

PIN ASSIGNMENTS

Pin No.	Name	Description
#1	DAT2	Data Line
#2	CD/DAT3 <sup>2</sup>	Card Detect/Data Line
#3	CMD	Command/Response
#4	VDD	Supply voltage
#5	CLK	Clock
#6	Vss	Supply voltage ground
#7	DAT0	Data Line
#8	DAT1	Data Line
#9	CD	CARD Detect
#10/#11 #12/#13	GND	GND



REV.	ECN Number	Description	Drawn
1	E15110050	初版发行	YH
2	E16050004	压挂钩弹片加宽(位置第1页C4)	YH



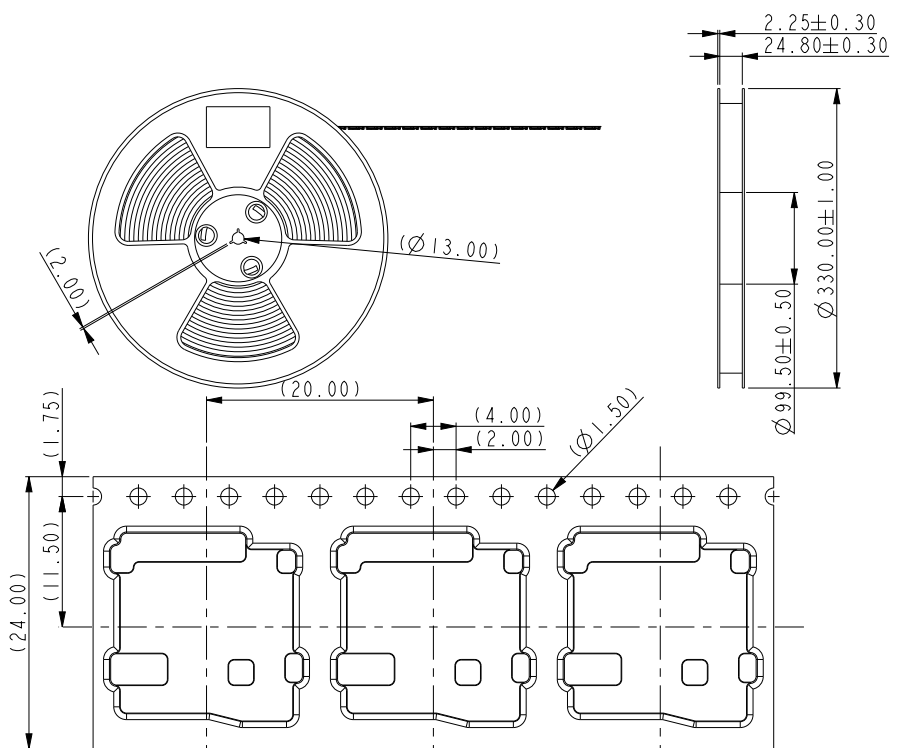
NOTE:

- ELECTRICAL CHARACTERISTICS:  
CONTACT CURRENT RATING:0.5 A AC/DC Max.  
DIELECTRIC WITHSTANDING VOLTAGE:AC 500V r.m.s.  
INSULATION RESISTANCE:1000 mΩ Minimum.  
DURABILITY TOTAL 10000 CYCLES MIN.  
OPERATING TEMPERATURE: -40°~+85°.  
STORAGE TEMPERATURE:-40°~+85°.
- MATERIAL:  
1-1 PLASTICS : HEAT RESISTANCE POLYMER,UL94V-0,COLOR:BLACK  
1-2 CONTACT : COPPER ALLOY.  
1-3 SHELL : STAINLESS STEEL.
- PLATING:  
2-1 CONTACT :  
2-1-1 CONTACT AREA : PLATING Au 1u"  
2-1-2 SOLDER TAIL AREA : MATTE TIN,PLATING OVER Ni.  
2-2 SHELL :  
2-2-1 SOLDERABLE Ni PLATING OVER ALL.
- CONTACT AND TAIL COPLANARITY TO BE 0.10mm MAX.
- RECOMMENDING A METAL MORE THAN 0.15mm THICK.PLEASE CONFIRM SOLDERADILITY, IF USE A METAL MASK LESS THAN 0.15mm THICK.
- DIMENSION SHELL BE INTERPRETED PER "ANSI Y14.5M-1994"

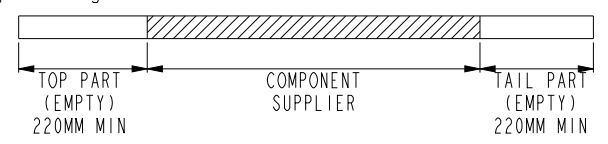


ShenZhen ShenTai weixiang Electronics Co.,Ltd

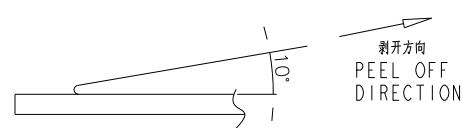
TOLERANCE UNLESS OTHERWISE SPECIFIED				SCALE 4:1	ORIGINAL DRAWN: YH	DATE 2016/05/03	DWG. NO.	TITLE	REV. 2
X.X	±0.30	X.°	±3°	UNIT mm	CHECK: Yhong	DATE 2016/05/04	600-0000-0115	(MICRO SD CONNECTOR) CUSTOMER DRAWING	SHEET 2/3
X.XX	±0.20	X.X°	±2°	SIZE A4	APPROVE: Ady zhou	DATE 2016/05/04			
X.XXX	±0.10	X.XX°	±1°				PARTS NO.(INTENDED USE) ACBS-08BK-H-006		



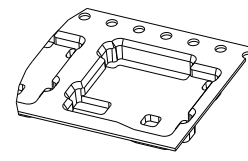
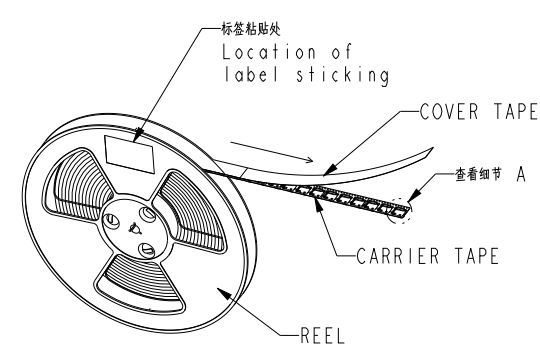
备注：  
 1. 每卷包装数量及每箱装箱数如下表格。  
 Packing q'ty of each reel & carton as below table shown.  
 2. 带子引导长度，出料方向。  
 Lead tape length, Pull out the direction.



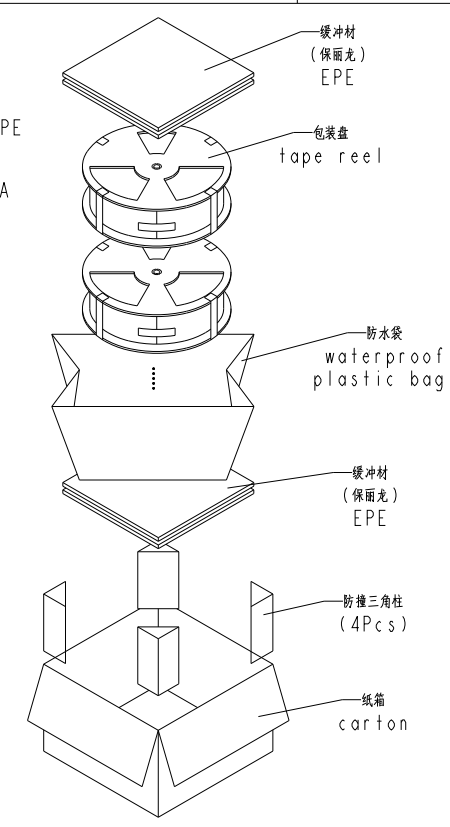
3. 上带剥离力为: 0.1~1.3N(10.2gf~130gf)  
 Peeling off force of top tape: 0.1~1.3N(10.2gf~130gf)  
 出货运输过程中一定注意：  
 Shipment must pay attention to in the process of transportation:  
 卷带在运输过程中不能散开。  
 Peeling off should not be allowed during transportation.



REV.	ECN Number	Description	Drawn
1	E15110050	初版发行	YH
2	E16050004	压挂钩弹片加宽(位置第1页C4)	YH



细节 A  
比例 1:1



备注：  
 1. 每卷包装数量及每箱装箱数量如下表格。  
 Packing q'ty of each reel & carton as below table shown.  
 2. 以上胶带覆盖下包装带经包装机包装。  
 Use cover tape to cover and seal up.  
 3. 每个纸箱放2个珍珠棉。  
 Every carton use 2pcs EPE.  
 4. 将装满产品的卷盘放入纸箱并以胶带封口。  
 Put reels in the carton and use adhesive tape to seal up.

产品料号 (PRODUCT No.)	包装容量 (PACKING CAPACITY)			重量 WEIGHT (Kg)		
	PCS/REEL	REELS/CARTON	PCS/CARTON	N.W./PCS	N.W./BOX	G.W./BOX
ACBS-08BK-H-006	900	7	6300			



TOLERANCE UNLESS OTHERWISE SPECIFIED			
X.X	±0.30	X.°	±3°
X.XX	±0.20	X.X°	±2°
X.XXX	±0.10	X.XX°	±1°

SCALE	2:1
UNIT	mm
SIZE	A4

ORIGINAL DRAWN: YH  
 DATE: 2016/05/03  
 CHECK: Yhong  
 DATE: 2016/05/04  
 APPROVE: Ady zhou  
 DATE: 2016/05/04

DWG. NO. 600-0000-0115  
 PARTS NO. (INTENDED USE) ACBS-08BK-H-006

TITLE (MICRO SD CONNECTOR) CUSTOMER DRAWING

REV. 2  
 SHEET 3/3