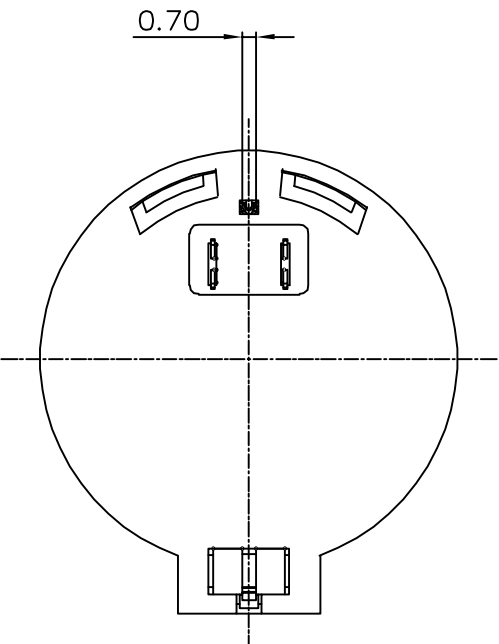
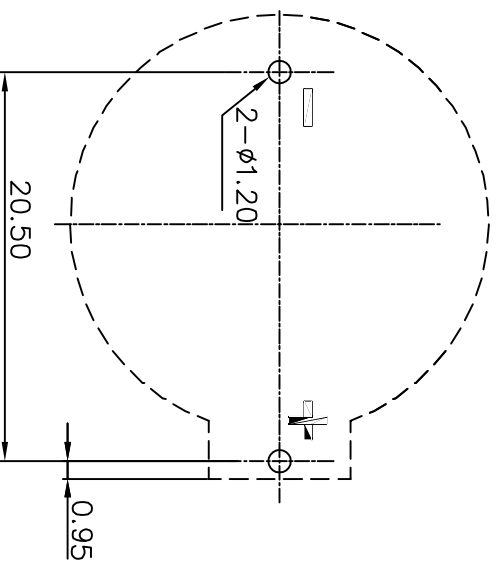
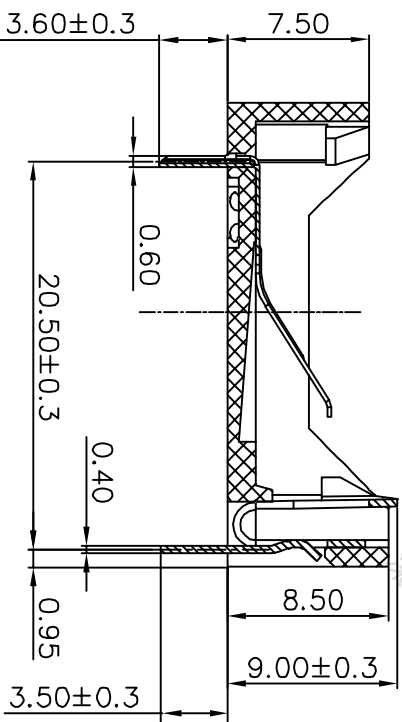


- NOTE:
- MATERIAL:
    - HOUSING: THERMOPLASTIC GLASS FIBRE UL94V-0
    - CONTACT: Phosphor bronze
    - Plating: SN100~120U",
  - ELECTRIC:
    - CONTACT RESISTANCE: 50 MILLIOHMS MAX
    - INSULATION RESISTANCE: 100 MEGA OHMS MIN
    - DIELECTRIC VOLTAGE: 550V AC ONE SEC LEVEL
    - OPERATING TEMPERATURE: -55~C~ +80~C



### ORDERING INFORMATION

BS-02-A\*\*0\*003

电池座系列  
BS-2系列

DIP 90° TYPE

MATERIAL:  
1A-PBT WHITE  
1B-PBT BLACK  
3A-PA6T WHITE  
3B-PA6T BLACK

PLATING:  
J-SN100~120U  
K-Sn 5um  
M-Ni 2um~3um

CRUST:  
0-WITHOUT

# 深圳市琦捷电子有限公司

TITLE: 阻燃电池座QJ (BS-2-1)



UNIT: MM

SCALE: 1/1

SIZE: A4

DATE: 2021.06.06

DWG. NO. 2021.06.06

APPROVED

李杰

TOLERANCE

LINEAR: ±1  
x: ±0.38  
xx: ±0.25  
xxx: ±0.10

ANGLE

x': ±5  
x'': ±2  
xxx': ±1

REV. A

SHEET. 1 OF 1

PART NO. BS-02-A1B0J003

REV. A

QJ-BS-2-1 (3.6)

SHEET. 1 OF 1