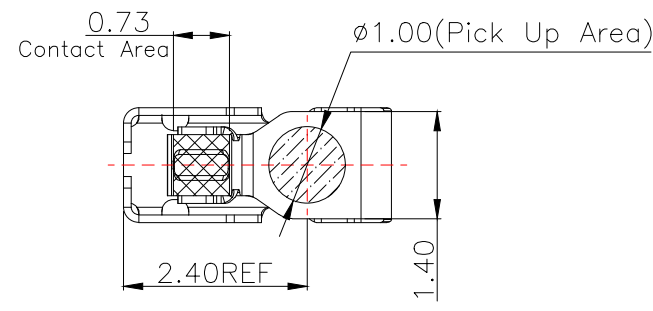
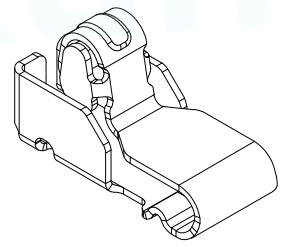
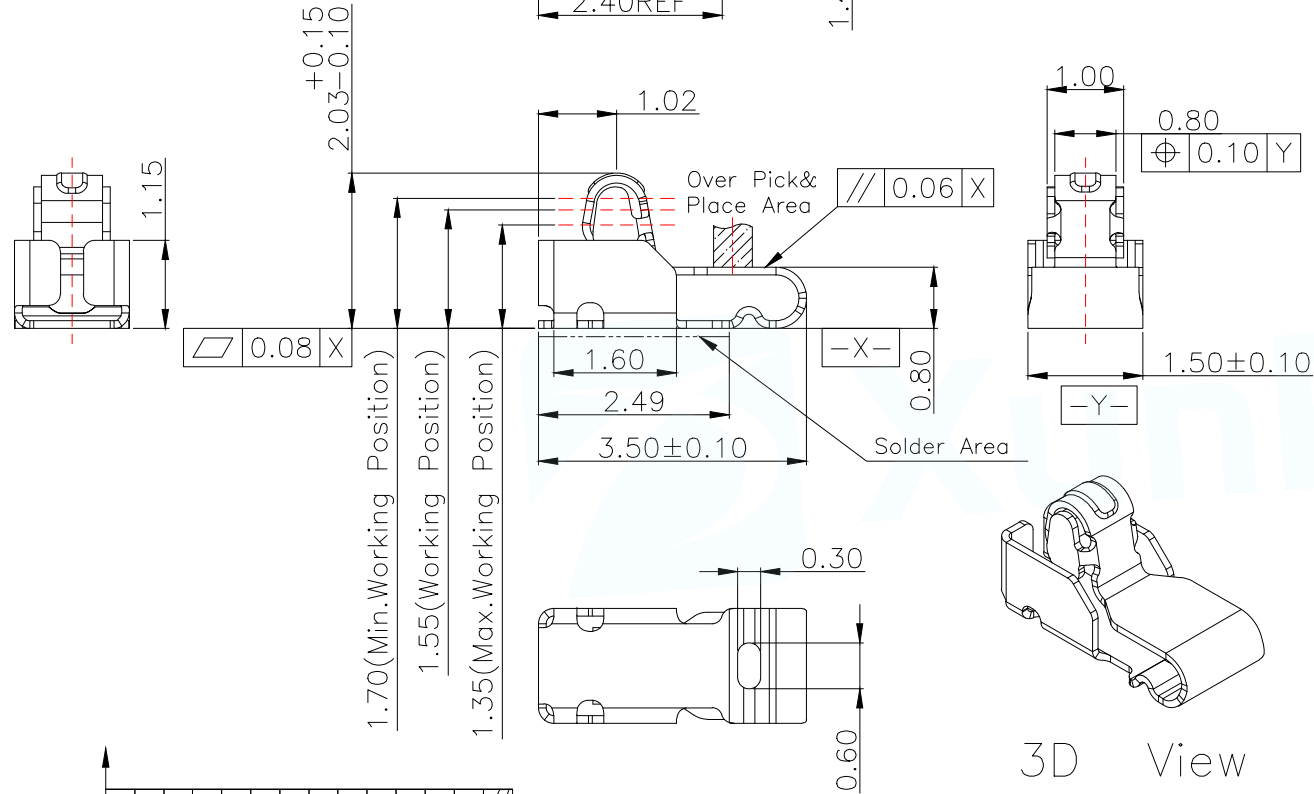


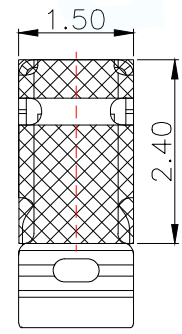
12	13	14	15
MAPX	MODIFICATION	DATE	DRAW
			APPROVE



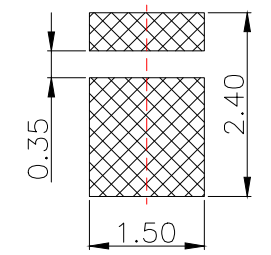
NOTES:  
 1:MATERIAL  
 1-1: TITANIUM COPPER THICKNE=0.10MM  
 2:SPECIFICATIONS  
 2-1: RATED CURRENT: 1.0A  
 2-2: VOLTAGE RATING: 1.5V  
 2-3: CONTACT RESISTANCE: 80mΩ/MAX  
 2-4: WELDING THRUST: ≥3KG  
 2-5: OPERATING TEMPERATURE: -40°C~+85°C  
 3:DURABILITY: 1500 CYCLES  
 4:SALT SPRAY TIME: 24H  
 5:ELECTROPLATE: THE NICKEL-PLATED SUBSTRATE IS 50u" MIN  
 6:REQUIREMENTS  
 6-1:TERMINAL TO EAT FULL TIN,NOTPEELING, WELDING OBVIOUS COLOR AND OTHERD ADVERSE  
 6-2:ROHS、REACH、HF HALOGER ADVERSE OF DOMESTIC AND INTERNATIONAL ENVIRONMNTAL REQUIREMENTS



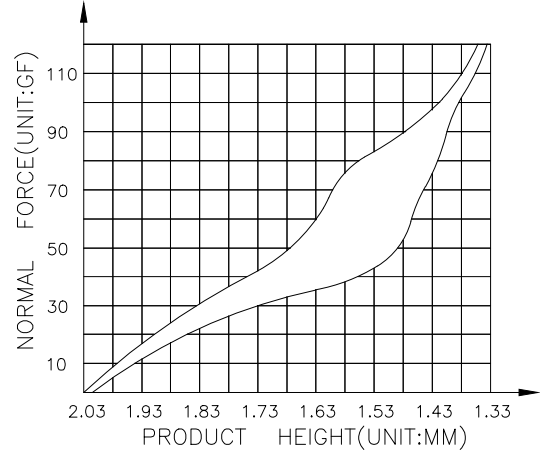
3D View



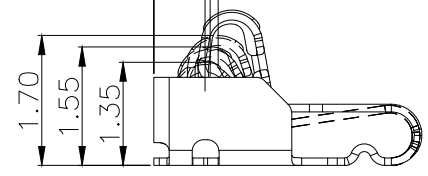
RECOMMENDED PCB LAYOUT  
 TOLERANCE:±0.05MM  
 (FOR REFERENCE ONLY)



METAL MASK T=0.08  
 TOLERANCE:±0.05MM  
 (FOR REFERENCE ONLY)



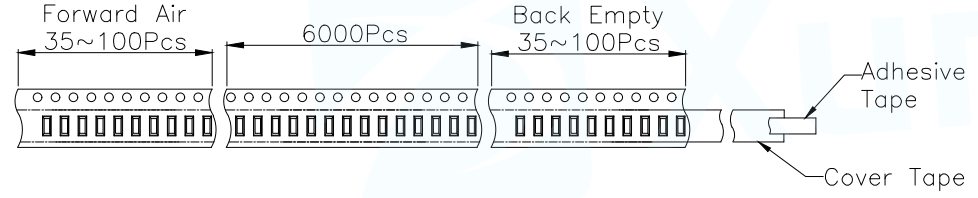
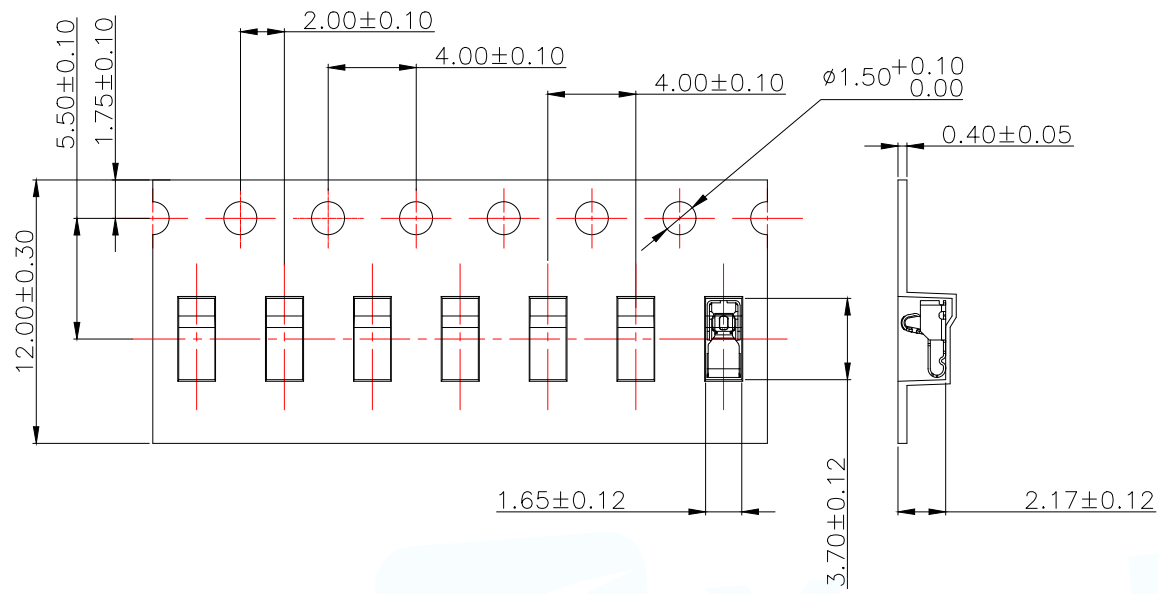
0.84 (Min. Working Position)  
 0.73 (Working Position)  
 0.67 (Max. Working Position)



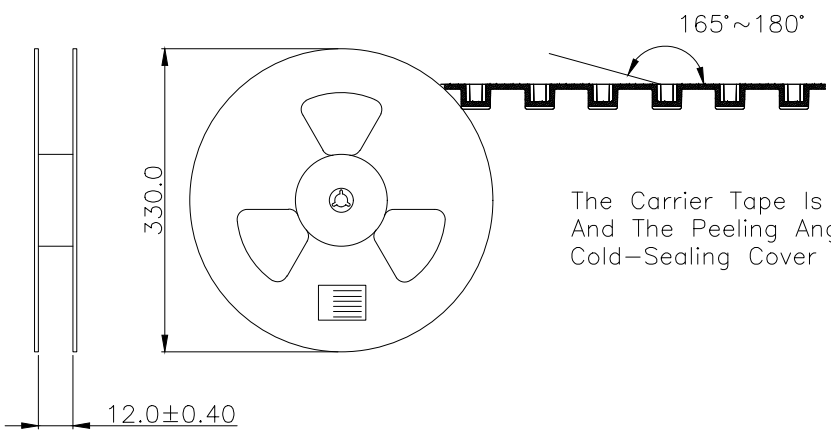
(For Reference Only)  
 Stated At Compression

MANUFACTURE DWG		东莞市讯普电子科技有限公司 DongGuan XunPu Electronics Co.,Ltd	
UNLESS OTHERWISE SPECIFIED TOLERANCES			TITLE: 天线弹片 L3.50*W1.50*H2.03
DECIMALS:	ANGLES:		PAR ASP-D2001-B01
X. ±0.30	X. ° ±0.20	DWN	CHKD
.X ±0.20	.X ° ±0.10	APVD	
.XX ±0.15	.XX ° ±0.5	SCALE N:A	UNIT:MM
		SIZE:A4	SHEET:1F1
		CUSTOMER COPY	REV:A

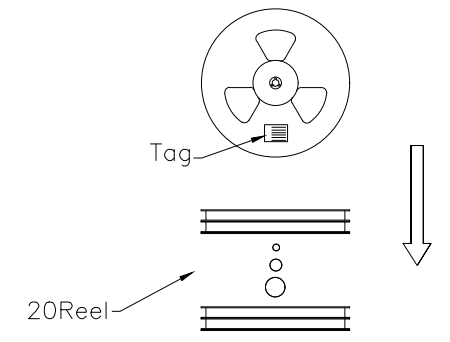
12	13	14	15
MAPX	MODIFICATION	DATE	APPROVE



Customer To Use Direction → Pull Out Direction (出料方向) →

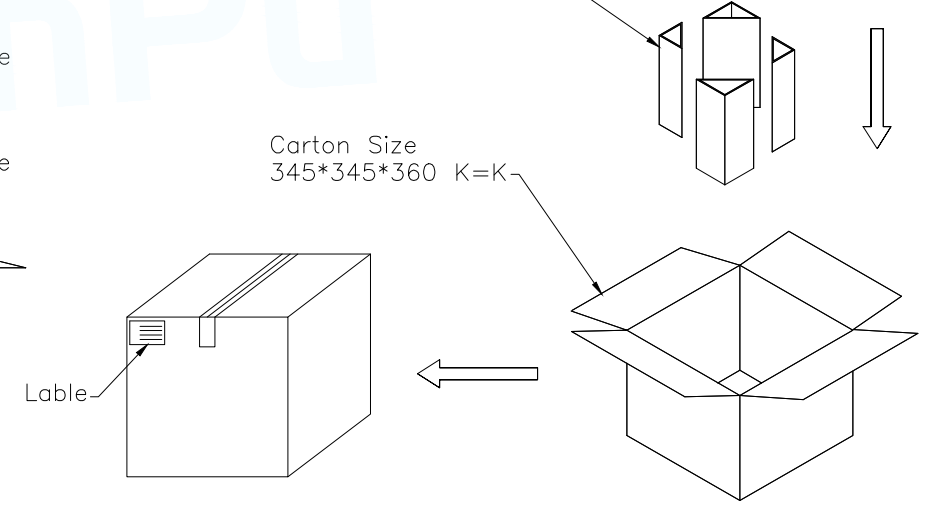


The Carrier Tape Is Cold-Sealed And The Peeling Angle Of The Cold-Sealing Cover Tape Is 165°~180°.



Carton Size 290\*330\*4 K3K

Carton Size 345\*345\*360 K=K



MANUFACTURE DWG		东莞市讯普电子科技有限公司 DongGuan XunPu Electronics Co.,Ltd	
UNLESS OTHERWISE SPECIFIED TOLERANCES		TITLE: 天线弹片 L3.50*W1.50*H2.03	
		PAR	ASP-D2001-B01
DECIMALS:		DWN	
ANGLES:		CHKD	
X. ±0.30	X. ° ±0.20	APVD	
.X ±0.20	.X ° ±0.10	SCALE N:A	UNIT:MM
.XX ±0.15	.XX ° ±0.5	SIZE:A4	SHEET:1F1
CUSTOMER COPY			REV:A