

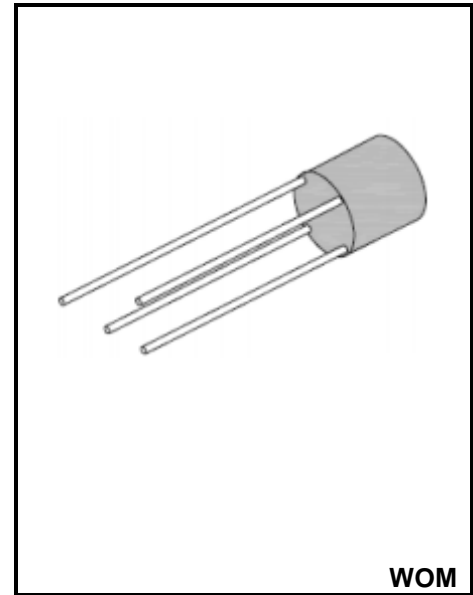
**2A SINGLE-PHASE GLASS PASSIVATED  
BRIDGE RECTIFIER**

**Voltage - 50 to 1000 V**

**Forward Current – 2 A**

**FEATURES**

- ◆ High current capability
- ◆ Low forward voltage drop
- ◆ Glass Passivated Chip Junction
- ◆ High temperature soldering guaranteed:  
260°C for 10 seconds
- ◆ Lead free in comply with EU RoHS 2011/65/EU directives



**MECHANICAL DATA**

- ◆ Case: WOM
- ◆ Terminals: Solderable per MIL-STD-202, Method 208
- ◆ Approx. Weight: 1.3g

**Maximum Ratings and Electrical characteristics**

Ratings at 25 °C ambient temperature unless otherwise specified.

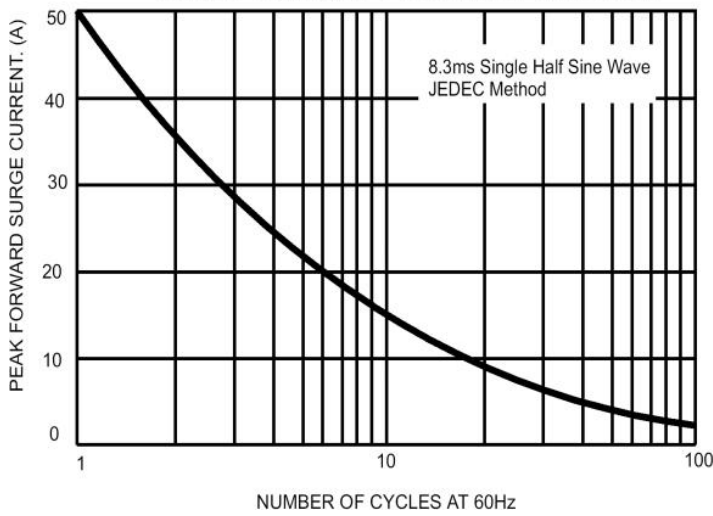
Parameter	Symbols	2W005	2W01	2W02	2W04	2W06	2W08	2W10	Units
Maximum Repetitive Peak Reverse Voltage	$V_{RRM}$	50	100	200	400	600	800	1000	V
Maximum RMS voltage	$V_{RMS}$	35	70	140	280	420	560	700	V
Maximum DC Blocking Voltage	$V_{DC}$	50	100	200	400	600	800	1000	V
Maximum Average Forward Rectified Current .375"(9.5mm) Lead Length at TA=50°C	$I_{(AV)}$	2.0							A
Peak Forward Surge Current 8.3 ms Single Half Sine-Wave Superimposed on Rated Load (JEDEC method)	$I_{FSM}$	50							A
Maximum Forward Voltage at 2.0A DC and 25°C	$V_F$	1.1							V
Maximum Reverse Current at TA=25°C at Rated DC Blocking Voltage TA=100°C	$I_R$	5.0 500							μA
Typical Junction Capacitance <sup>(Note1)</sup>	$C_j$	40				20			pF
Typical Thermal Resistance <sup>(Note2)</sup>	$R_{\theta JA}$ $R_{\theta JL}$	40 15				°C/W			
Operating and Storage Temperature Range	$T_j, T_{stg}$	-55 ~ +150							°C

(1) Measured at 1 MHz and applied reverse voltage of 4 V D.C

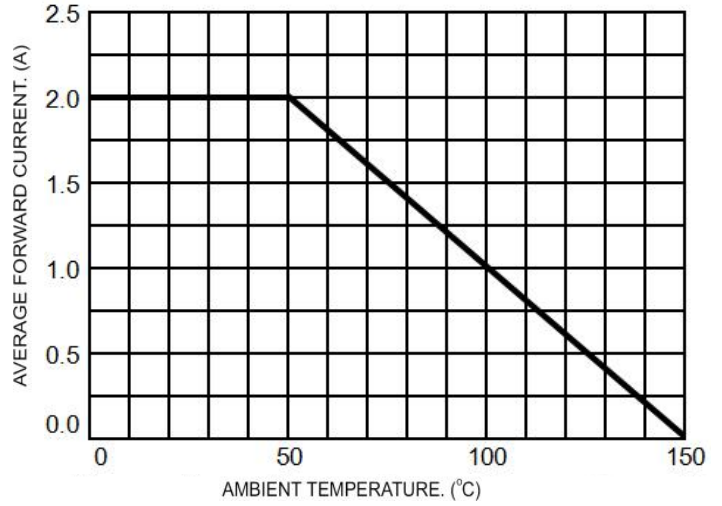
(2) Thermal Resistance Junction to Ambient and form junction to lead at 0.375"(9.5mm) lead length P.C.B. Mounted.

**RATINGS AND CHARACTERISTIC CURVES**

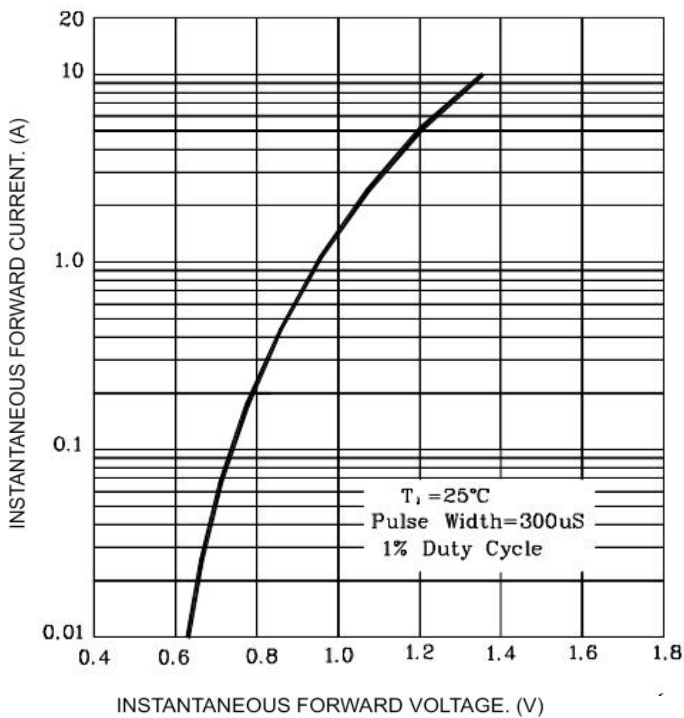
**FIG.1- MAXIMUM NON-REPETITIVE FORWARD SURGE CURRENT PER BRIDGE ELEMENT**



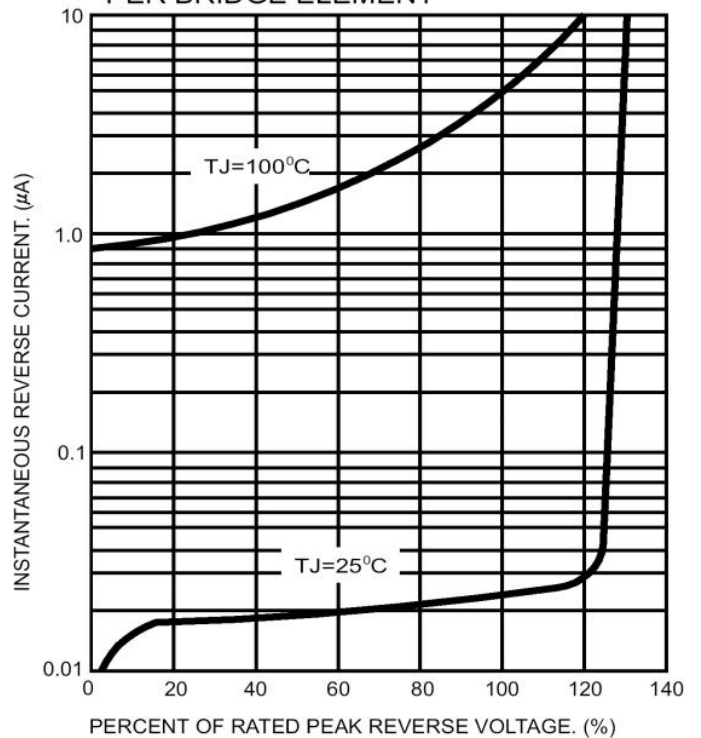
**FIG.2- MAXIMUM CURRENT DERATING CURVE OUTPUT RECTIFIED CURRENT**

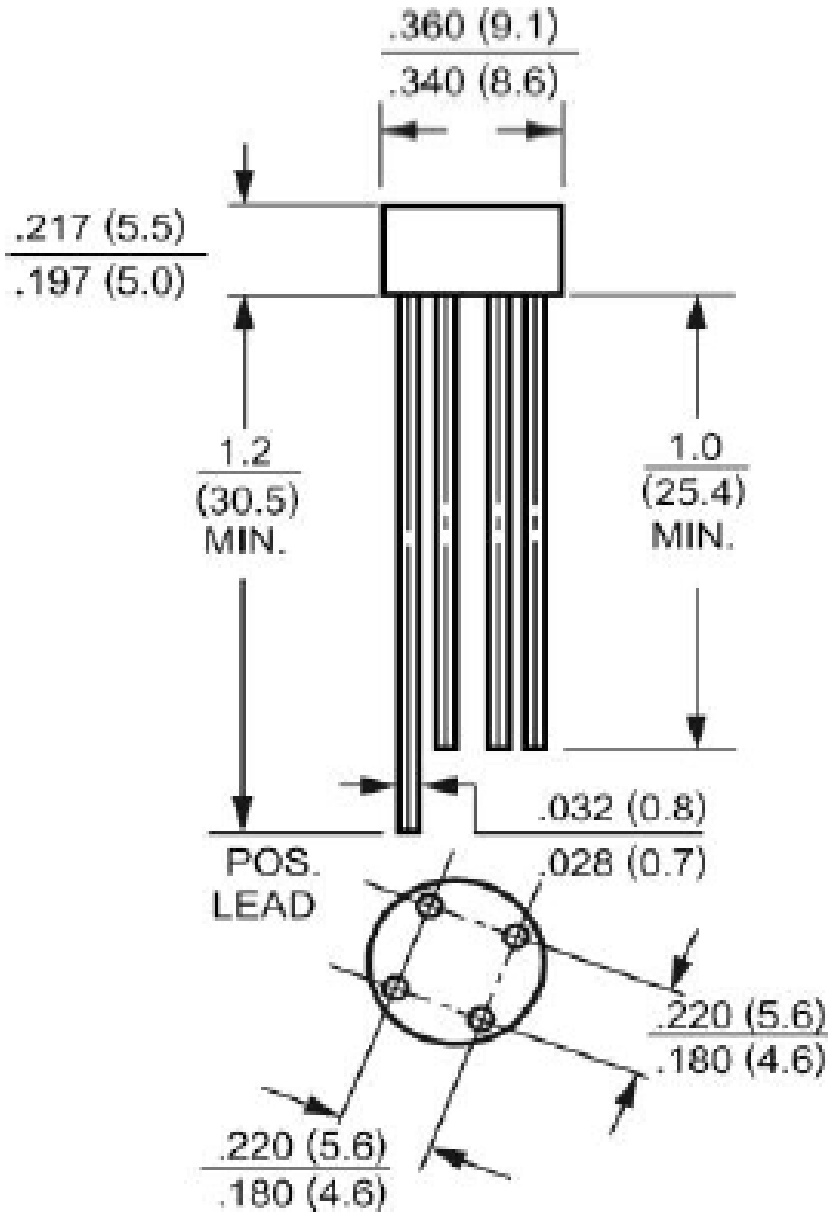


**FIG.3- TYPICAL INSTANTANEOUS FORWARD CHARACTERISTICS PER BRIDGE ELEMENT**



**FIG.4- TYPICAL REVERSE CHARACTERISTICS PER BRIDGE ELEMENT**





Summary of Packing Options

Package	Package Description	Packing Quantity	Industry Standard
WOM	BOX	500	EIA-481-1