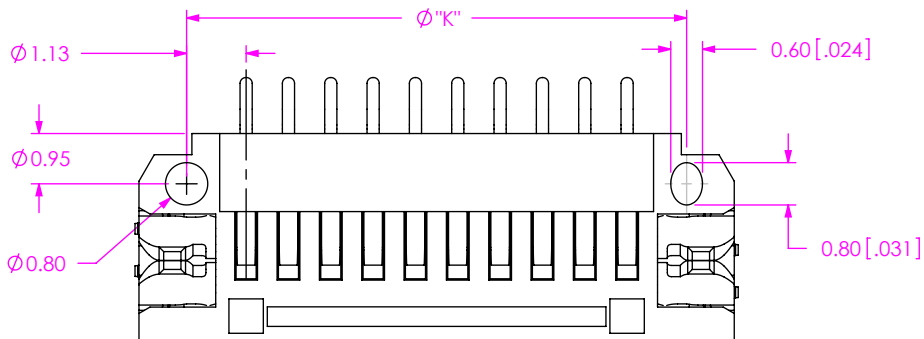
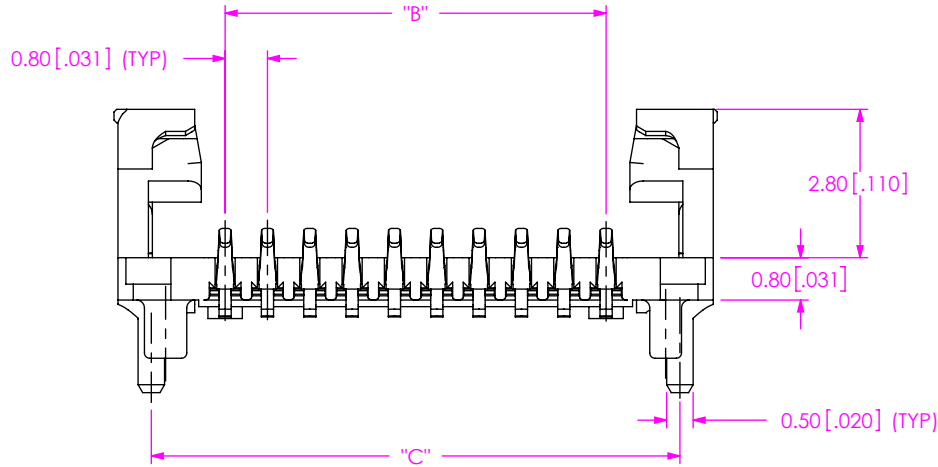
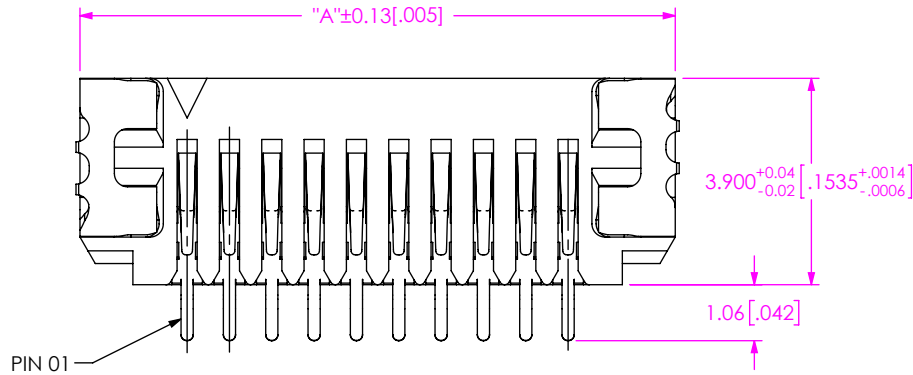


**DESIGNED AND DIMENSIONED IN MILLIMETERS [INCHES]
ALL DIMENSIONS REFERENCE EXCEPT AS SHOWN**

UCC8-XXX-X-XXX-X-X-A-XX

DO NOT SCALE FROM THIS PRINT



No OF POSITIONS
-010, *-014,
*-020, *-028
(TOTAL)

LEAD STYLE
-1: -1.05 HEIGHT

PLATING SPECIFICATION
-H: 30µ" GOLD ON THE CONTACT AREA,
GOLD FLASH ON THE TAILS,
MATTE TIN ON THE WELD TAB
-STL: 30µ" GOLD ON THE CONTACT AREA,
TIN-LEAD ON THE TAILS,
TIN-LEAD ON THE WELD TAB

TAPE & REEL (SEE NOTES 4 & 5)
BLANK: TAPE & REEL
-FR: FULL REEL QTY TAPE & REEL

ALIGNMENT PIN
-A: ALIGNMENT PIN

WELD TAB
-1: THRU HOLE
**-2: SURFACE MOUNT
(** = SEE NOTE 3)

ROW SPECIFICATION
-S: SINGLE ROW

(* = NOT TOOLED)

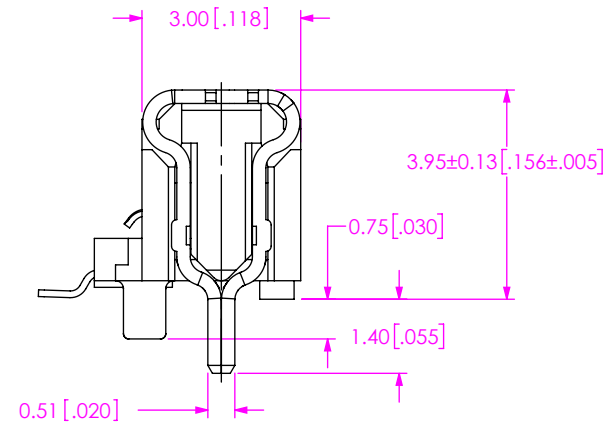


FIG 1
UCC8-010-1-XXX-S-1-A SHOWN
(PPP NOT SHOWN FOR CLARITY)

No OF POS	"A"	"B"	"C"	"K"	"L"
-010	11.25 [0.443]	7.20 [0.283]	10.00 [0.394]	9.45 [0.372]	11.25 [0.443]
-014	14.45 [0.569]	10.40 [0.409]	13.20 [0.520]	12.65 [0.498]	14.45 [0.569]
-020	22.00 [0.866]	17.95 [0.707]	20.75 [0.817]	20.20 [0.795]	22.00 [0.866]
-028	28.40 [1.118]	24.35 [0.959]	27.15 [1.069]	26.60 [1.047]	28.40 [1.118]

NOTES:

- NOTE DELETED.
- NOTE DELETED.
- AVAILABLE FOR EXISTING CUSTOMERS ONLY.
- ORDERS WILL BE PACKAGED ACCORDING TO THE SAMTEC PACKAGING EFFICIENCY STANDARDS (SPES) FOUND ON WWW.SAMTEC.COM.
- ATTACH LABEL TO EACH REEL.

PROPRIETARY NOTE

THIS DOCUMENT CONTAINS CONFIDENTIAL AND PROPRIETARY INFORMATION AND ALL DESIGN, MANUFACTURING, REPRODUCTION, USE, PATENT RIGHTS AND SALES RIGHTS ARE EXPRESSLY RESERVED BY SAMTEC, INC. THIS DOCUMENT SHALL NOT BE DISCLOSED, IN WHOLE OR PART, TO ANY UNAUTHORIZED PERSON OR ENTITY NOR REPRODUCED, TRANSFERRED OR INCORPORATED IN ANY OTHER PROJECT IN ANY MANNER WITHOUT THE EXPRESS WRITTEN CONSENT OF SAMTEC, INC.

DO NOT SCALE DRAWING

SHEET SCALE: 8:1

MATERIAL:
INSULATOR: LCP, COLOR: BLACK
CONTACT: BeCu
WELD TAB: COPPER ALLOY

DESCRIPTION:
0.8MM UCC8 SOCKET ASSEMBLY

DWG. NO.
UCC8-XXX-X-XXX-X-X-A-XX

BY: ETHAN C 02/24/2020 SHEET 1 OF 4



520 PARK EAST BLVD, NEW ALBANY, IN 47150
PHONE: 812-944-6733 FAX: 812-948-5047
e-Mail info@SAMTEC.com code 55322

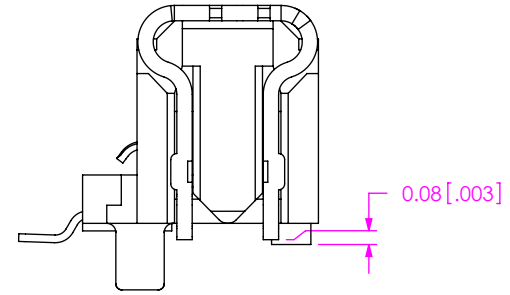
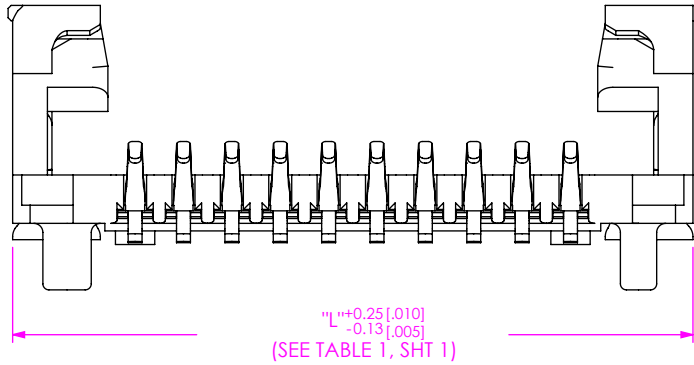


FIG 2
 UCC8-010-1-XXX-S-2-A SHOWN
 (DIFFERENT AS SHOWN, OTHERWISE SAME AS FIG 1)
 (PPP NOT SHOWN FOR CLARITY)
 (SEE NOTE 3)

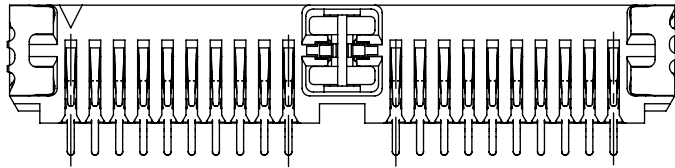


FIG 3
 UCC8-020-1-XXX-S-1-A SHOWN
 (DIFFERENT AS SHOWN, OTHERWISE SAME AS FIG 1)
 (PPP NOT SHOWN FOR CLARITY)

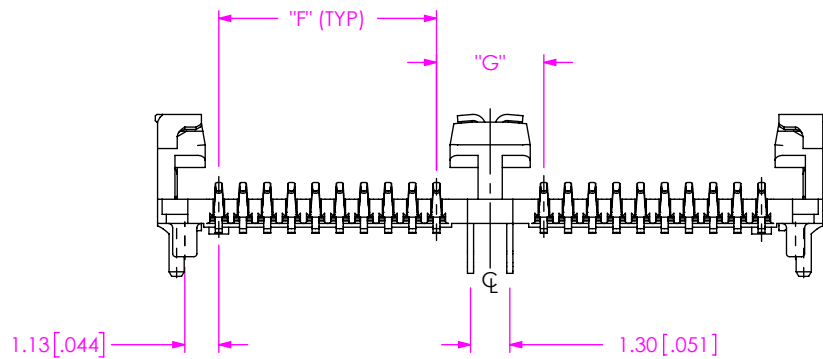


TABLE 2		
No OF POS	"F"	"G"
-020	7.20 [0.283]	3.55 [0.140]
-028	10.20 [0.402]	3.35 [0.132]

PROPRIETARY NOTE
 THIS DOCUMENT CONTAINS CONFIDENTIAL AND PROPRIETARY INFORMATION AND ALL DESIGN, MANUFACTURING, REPRODUCTION, USE, PATENT RIGHTS AND SALES RIGHTS ARE EXPRESSLY RESERVED BY SAMTEC, INC. THIS DOCUMENT SHALL NOT BE DISCLOSED, IN WHOLE OR PART, TO ANY UNAUTHORIZED PERSON OR ENTITY NOR REPRODUCED, TRANSFERRED OR INCORPORATED IN ANY OTHER PROJECT IN ANY MANNER WITHOUT THE EXPRESS WRITTEN CONSENT OF SAMTEC, INC.



520 PARK EAST BLVD, NEW ALBANY, IN 47150
 PHONE: 812-944-6733 FAX: 812-948-5047
 e-Mail info@SAMTEC.com code 55322

DO NOT SCALE DRAWING

SHEET SCALE: 8:1

DESCRIPTION:
 0.8MM UCC8 SOCKET ASSEMBLY

DWG. NO.
UCC8-XXX-X-XXX-X-X-A-XX

BY: ETHAN C 02/24/2020 SHEET 2 OF 4

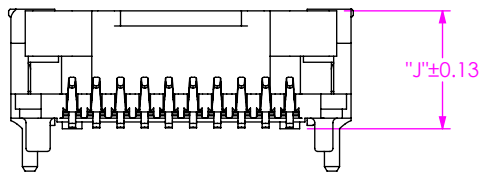
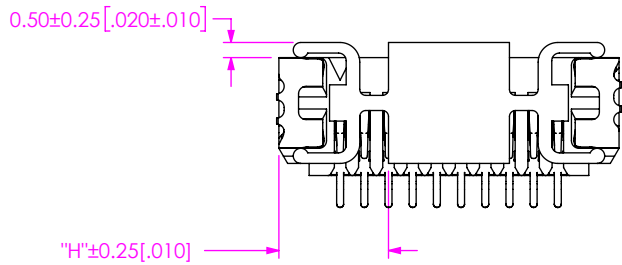


FIG 4
 PICK AND PLACE PAD
 UCC8-010-1-XXX-S-1-A SHOWN
 (DIFFERENT AS SHOWN, OTHERWISE SAME AS FIG 1;
 USE PPP-73-XXX FOR BOTH -1 & -2 WELD TAB LEAD STYLES)

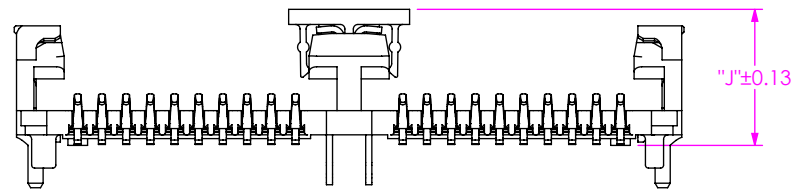
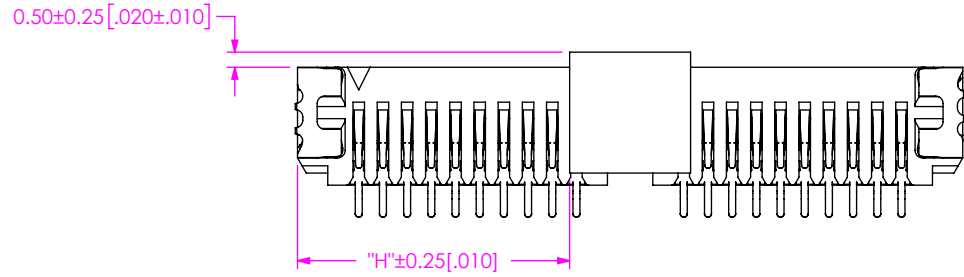


FIG 5
 PICK AND PLACE PAD
 UCC8-020-1-XXX-S-1-A SHOWN
 (DIFFERENT AS SHOWN, OTHERWISE SAME AS FIG 1)

TABLE 6		
	"H"	"J"
No OF POS	LEAD STYLE -1	LEAD STYLE -1
-010	3.63 [0.143]	3.90 [0.154]
-014	5.13 [0.202]	
-020	9.00 [0.354]	4.45 [0.175]
-028	12.00 [0.472]	

PROPRIETARY NOTE
 THIS DOCUMENT CONTAINS CONFIDENTIAL AND PROPRIETARY INFORMATION AND ALL DESIGN, MANUFACTURING, REPRODUCTION, USE, PATENT RIGHTS AND SALES RIGHTS ARE EXPRESSLY RESERVED BY SAMTEC, INC. THIS DOCUMENT SHALL NOT BE DISCLOSED, IN WHOLE OR PART, TO ANY UNAUTHORIZED PERSON OR ENTITY NOR REPRODUCED, TRANSFERRED OR INCORPORATED IN ANY OTHER PROJECT IN ANY MANNER WITHOUT THE EXPRESS WRITTEN CONSENT OF SAMTEC, INC.



520 PARK EAST BLVD, NEW ALBANY, IN 47150
 PHONE: 812-944-6733 FAX: 812-948-5047
 e-Mail info@SAMTEC.com code 55322

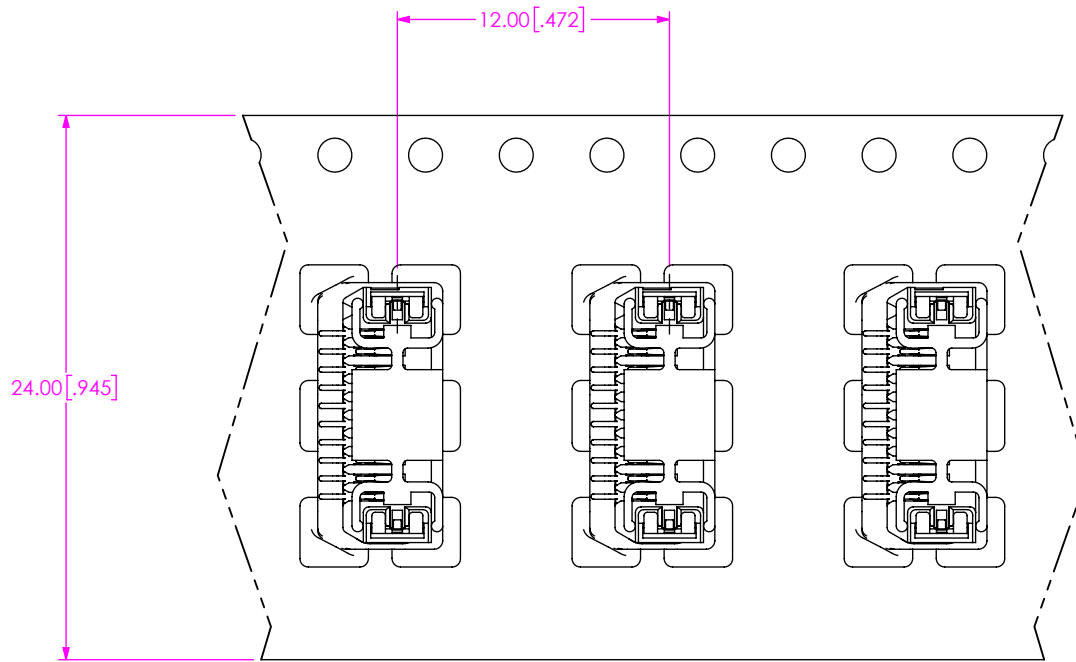
DO NOT SCALE DRAWING

SHEET SCALE: 8:1

DESCRIPTION:
 0.8MM UCC8 SOCKET ASSEMBLY

DWG. NO.
UCC8-XXX-X-XXX-X-X-A-XX

BY: ETHAN C 02/24/2020 SHEET 3 OF 4



USER DIRECTION OF UN-REELING →
POCKET NOT DETAILED

PACKAGING VIEW

• PROPRIETARY NOTE •
THIS DOCUMENT CONTAINS CONFIDENTIAL AND PROPRIETARY INFORMATION AND ALL DESIGN, MANUFACTURING, REPRODUCTION, USE, PATENT RIGHTS AND SALES RIGHTS ARE EXPRESSLY RESERVED BY SAMTEC, INC. THIS DOCUMENT SHALL NOT BE DISCLOSED, IN WHOLE OR PART, TO ANY UNAUTHORIZED PERSON OR ENTITY NOR REPRODUCED, TRANSFERRED OR INCORPORATED IN ANY OTHER PROJECT IN ANY MANNER WITHOUT THE EXPRESS WRITTEN CONSENT OF SAMTEC, INC.



520 PARK EAST BLVD, NEW ALBANY, IN 47150
PHONE: 812-944-6733 FAX: 812-948-5047
e-Mail info@SAMTEC.com code 55322

DO NOT SCALE DRAWING

SHEET SCALE: 1:1

DESCRIPTION:
0.8MM UCC8 SOCKET ASSEMBLY

DWG. NO.
UCC8-XXX-X-XXX-X-X-A-XX

BY: ETHAN C 02/24/2020 SHEET 4 OF 4