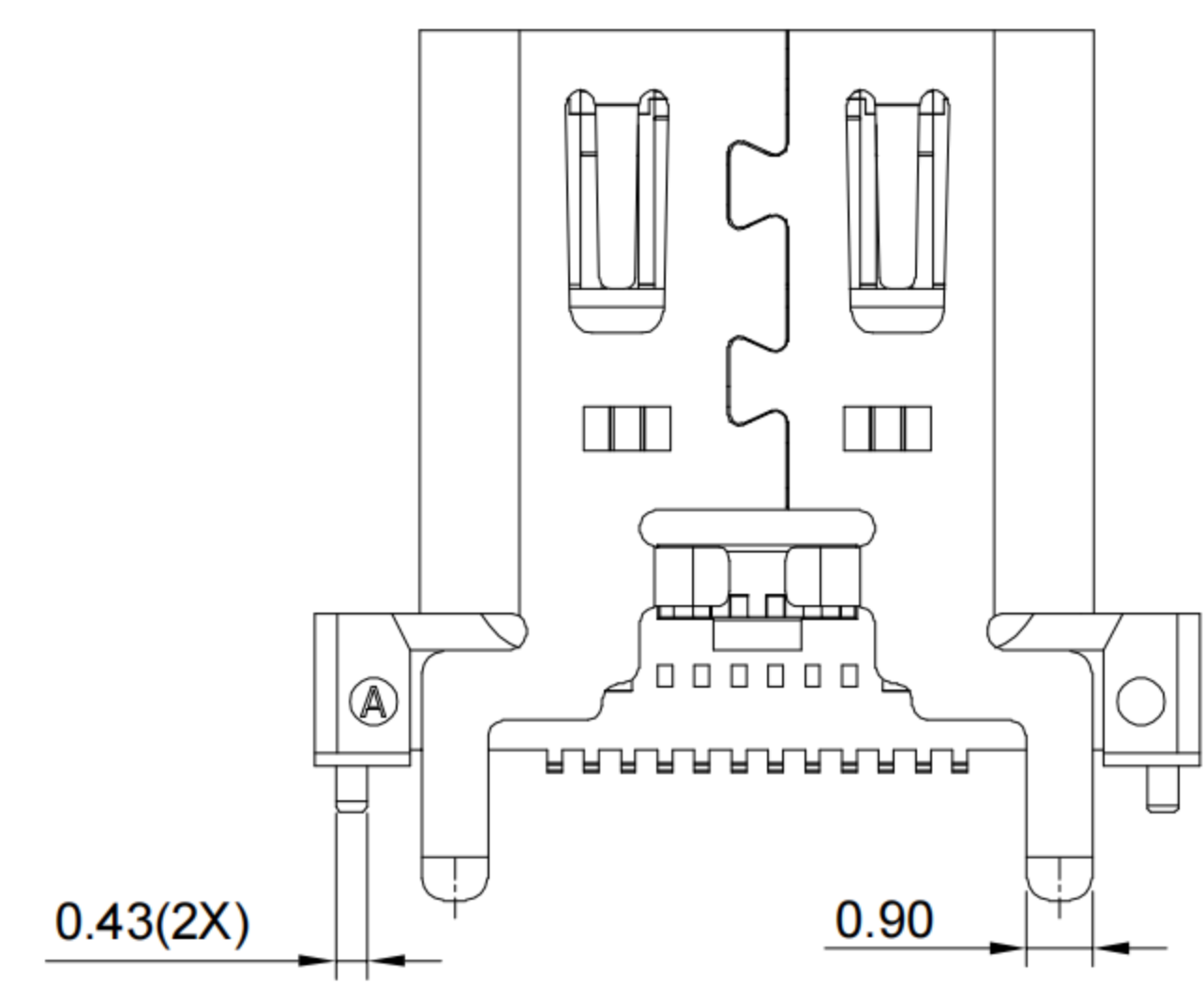
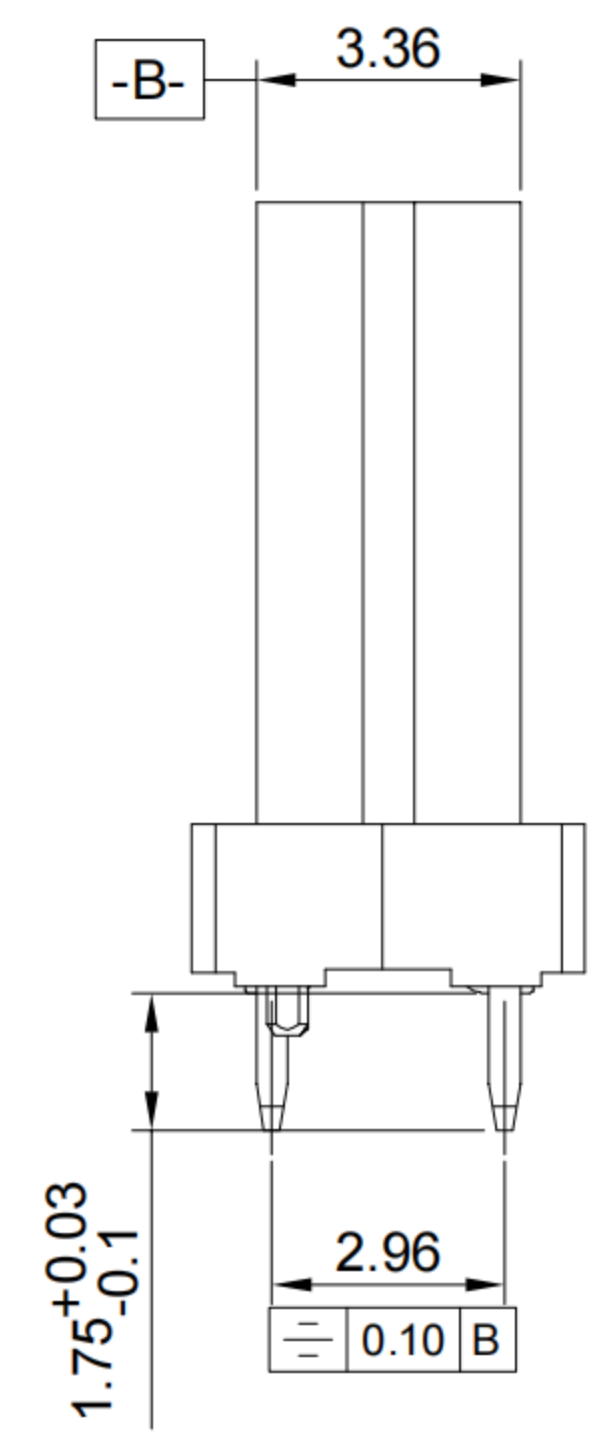
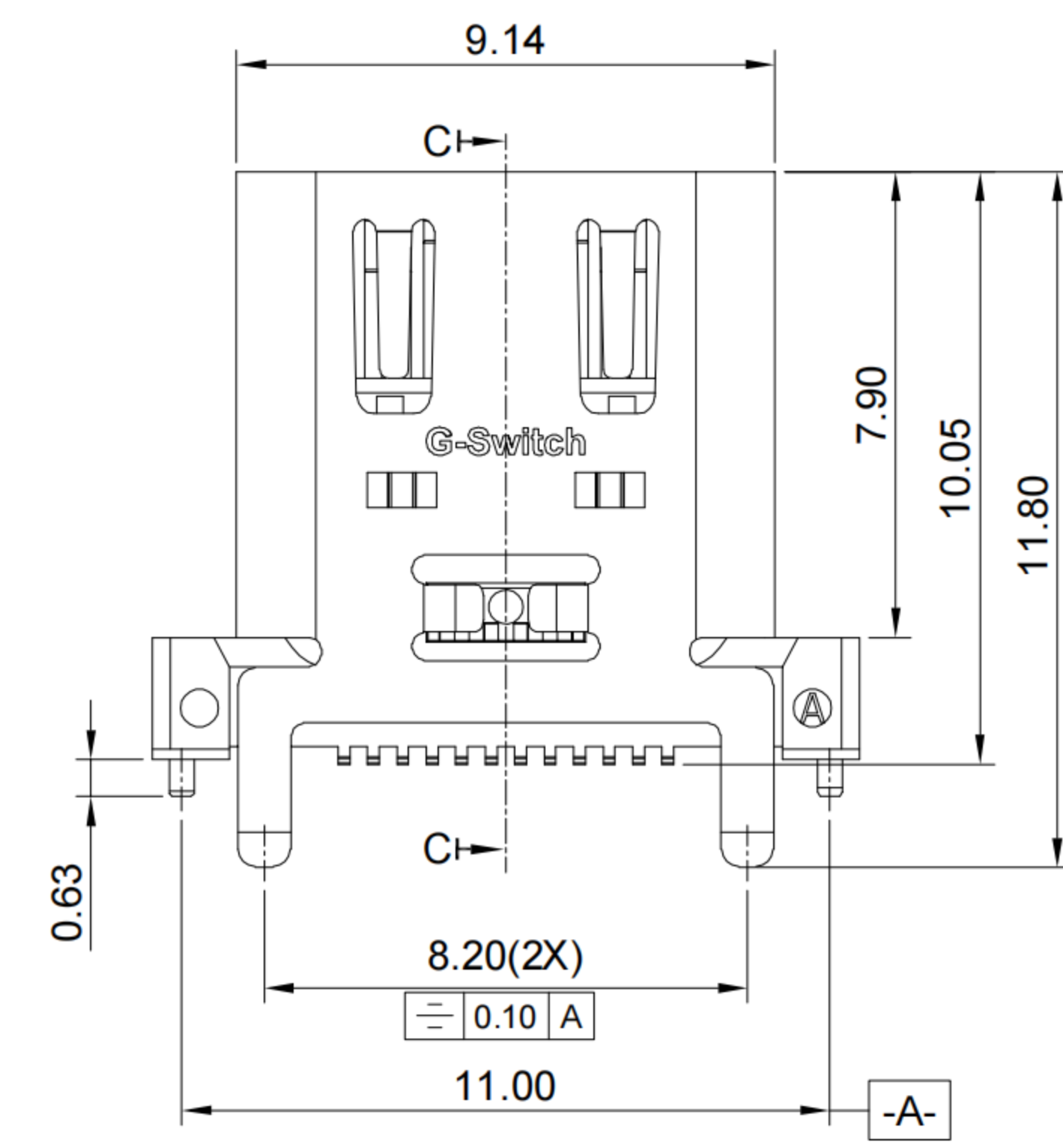
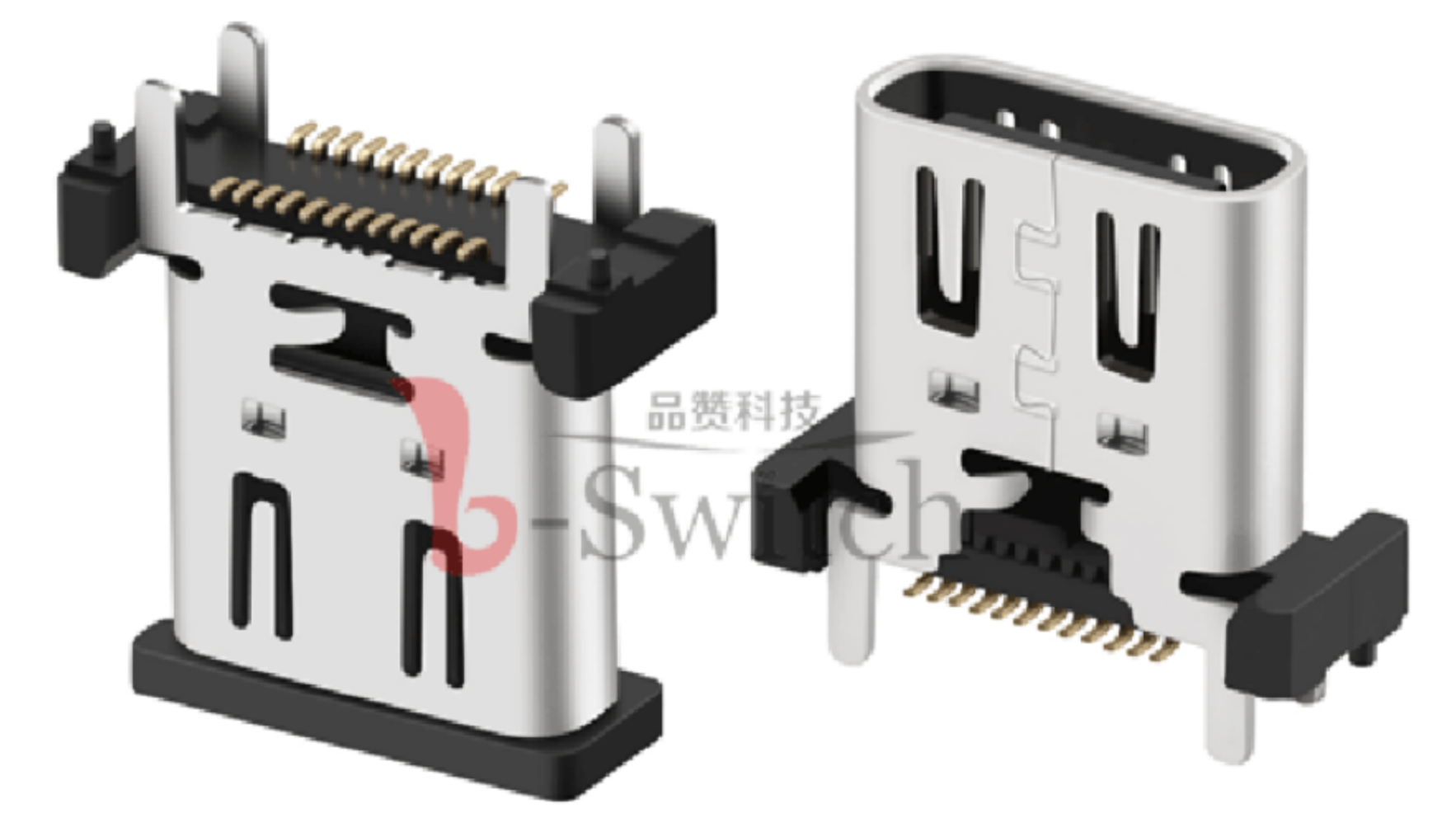
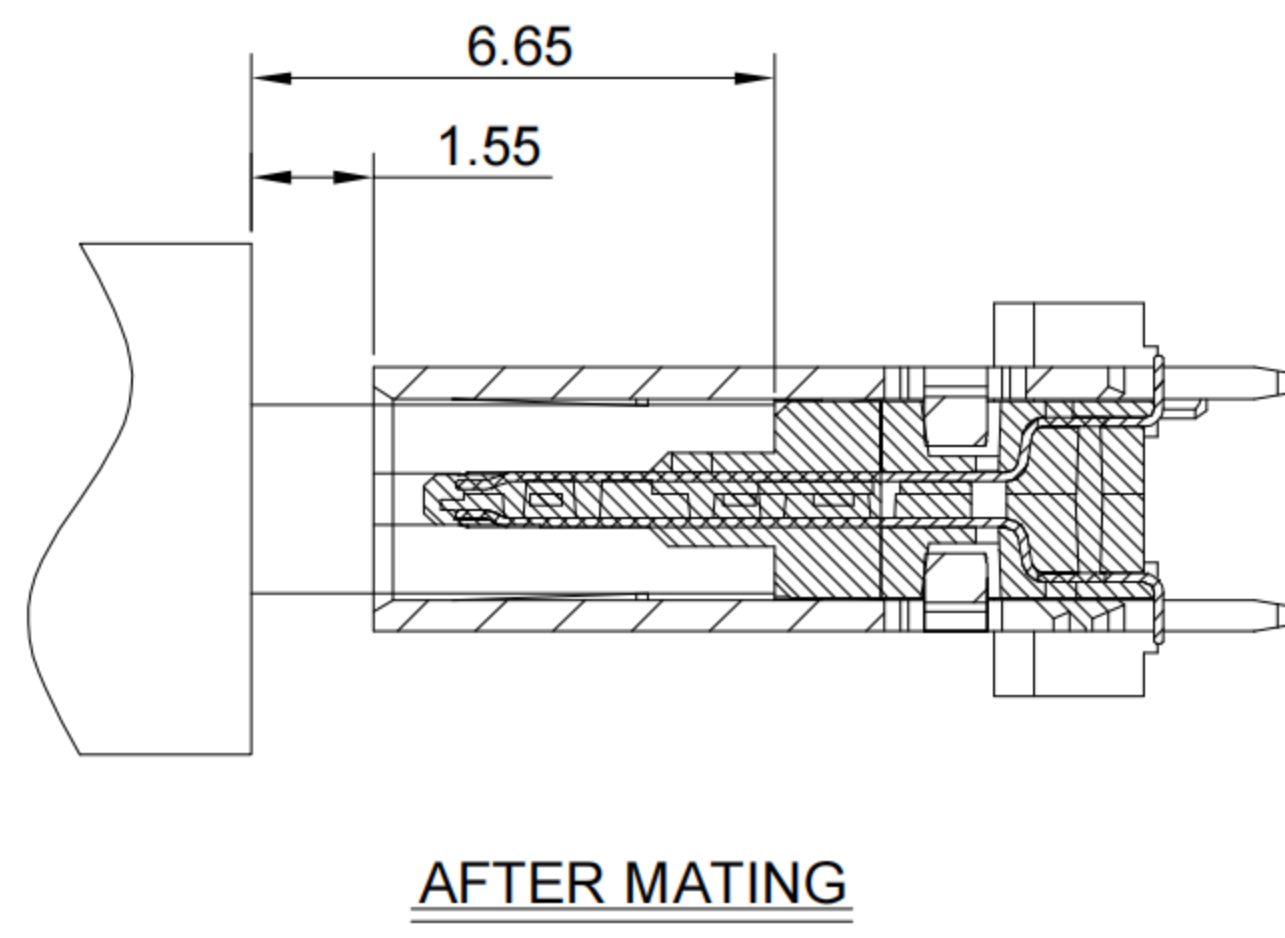
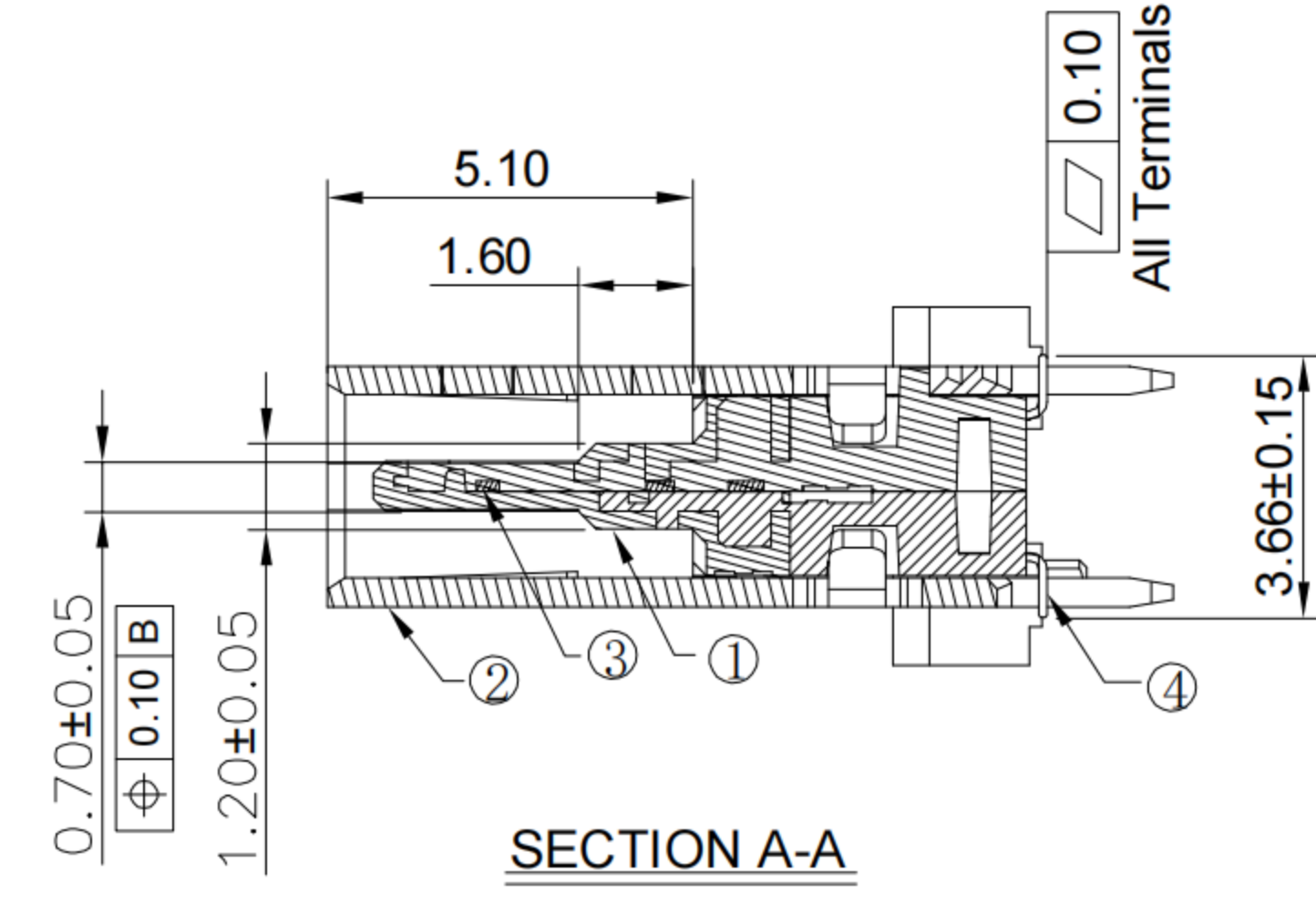
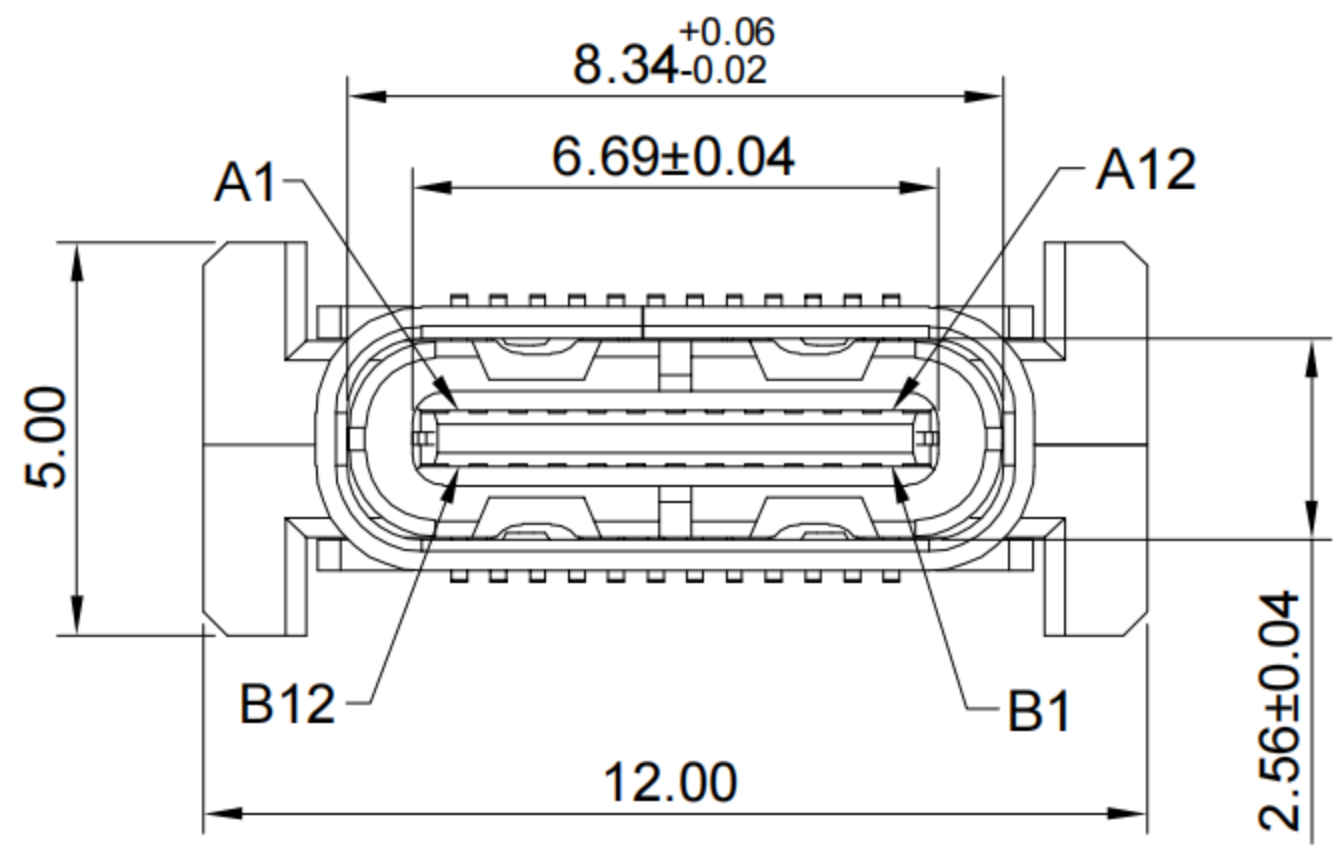
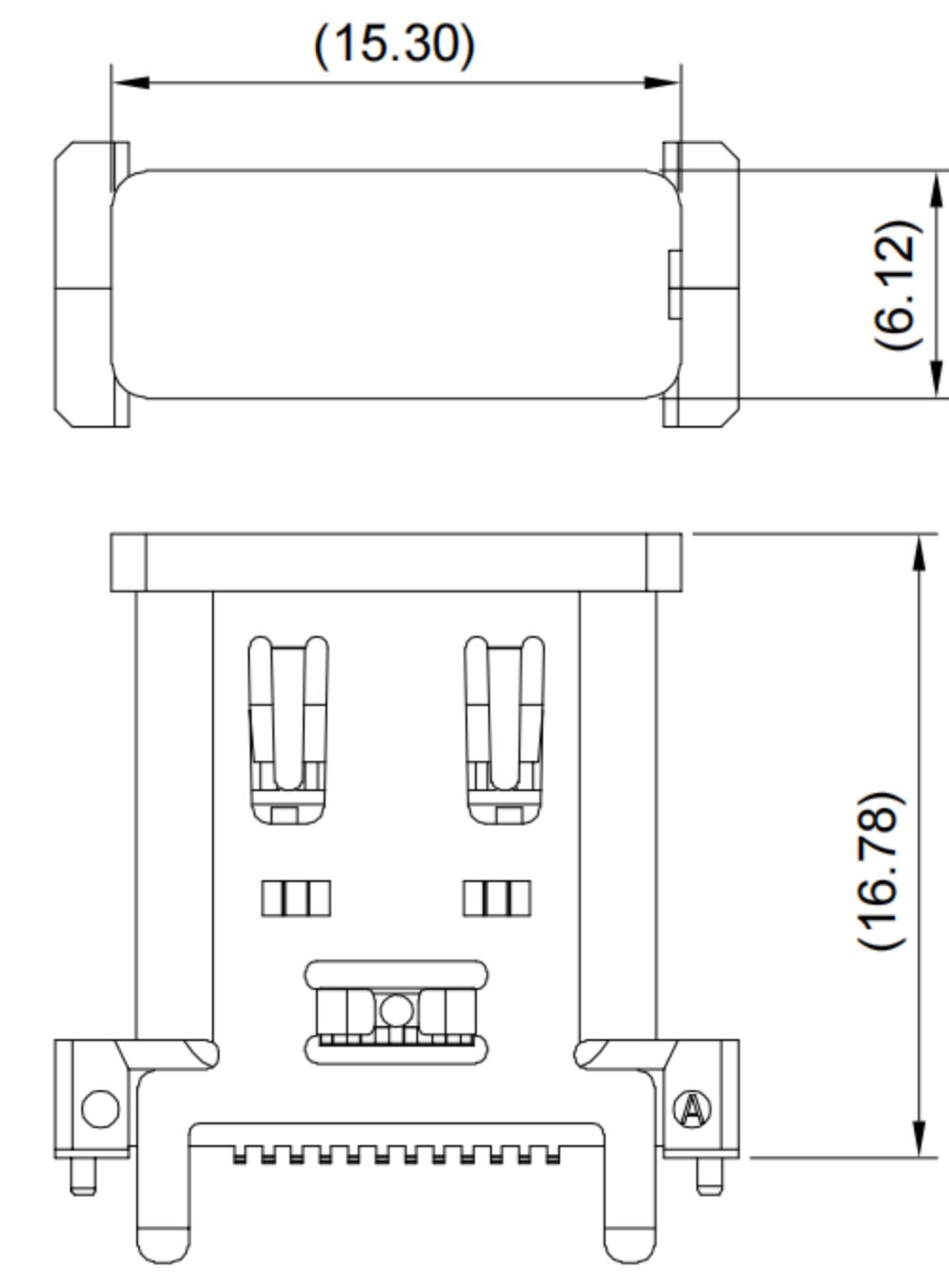
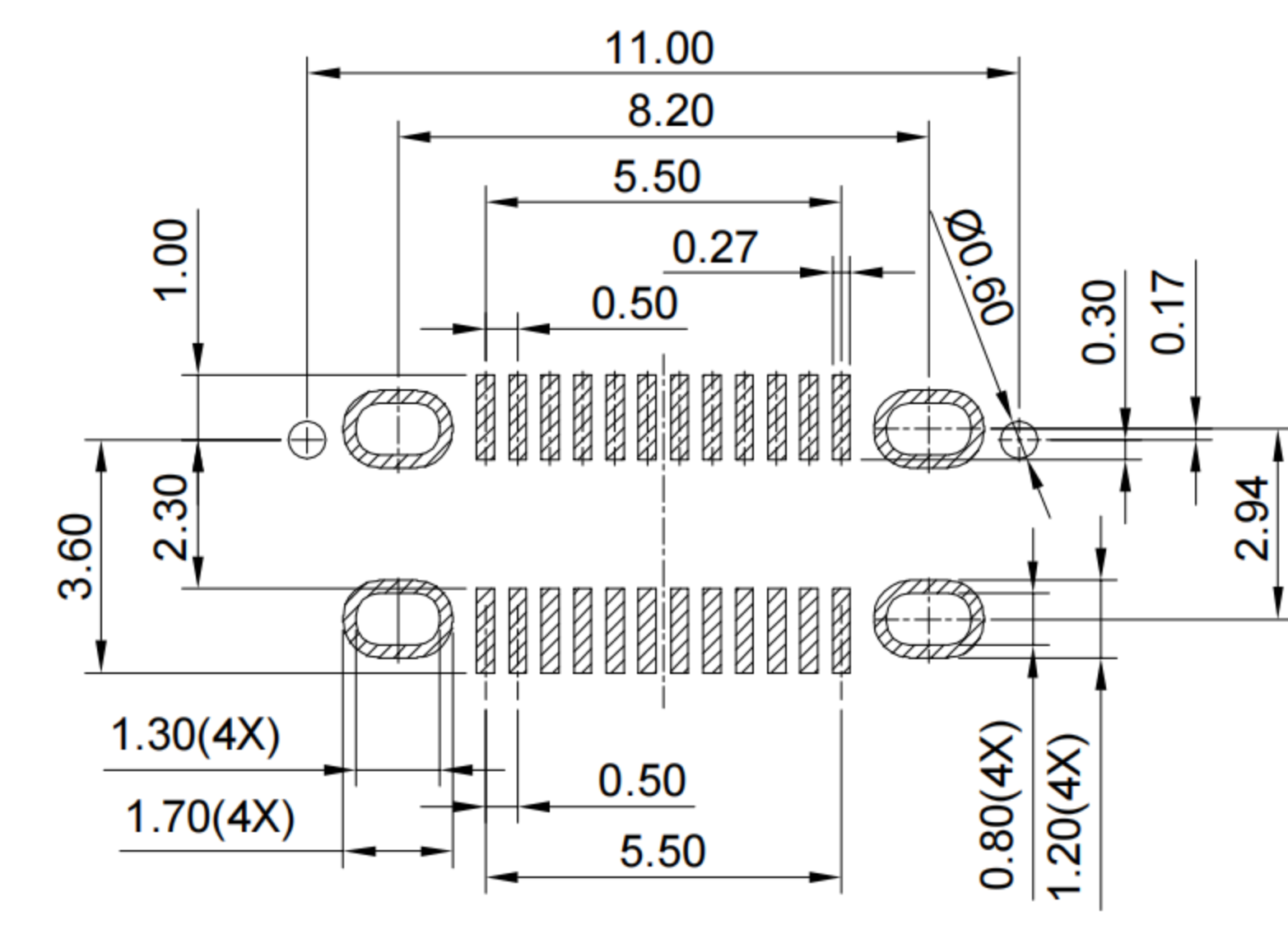
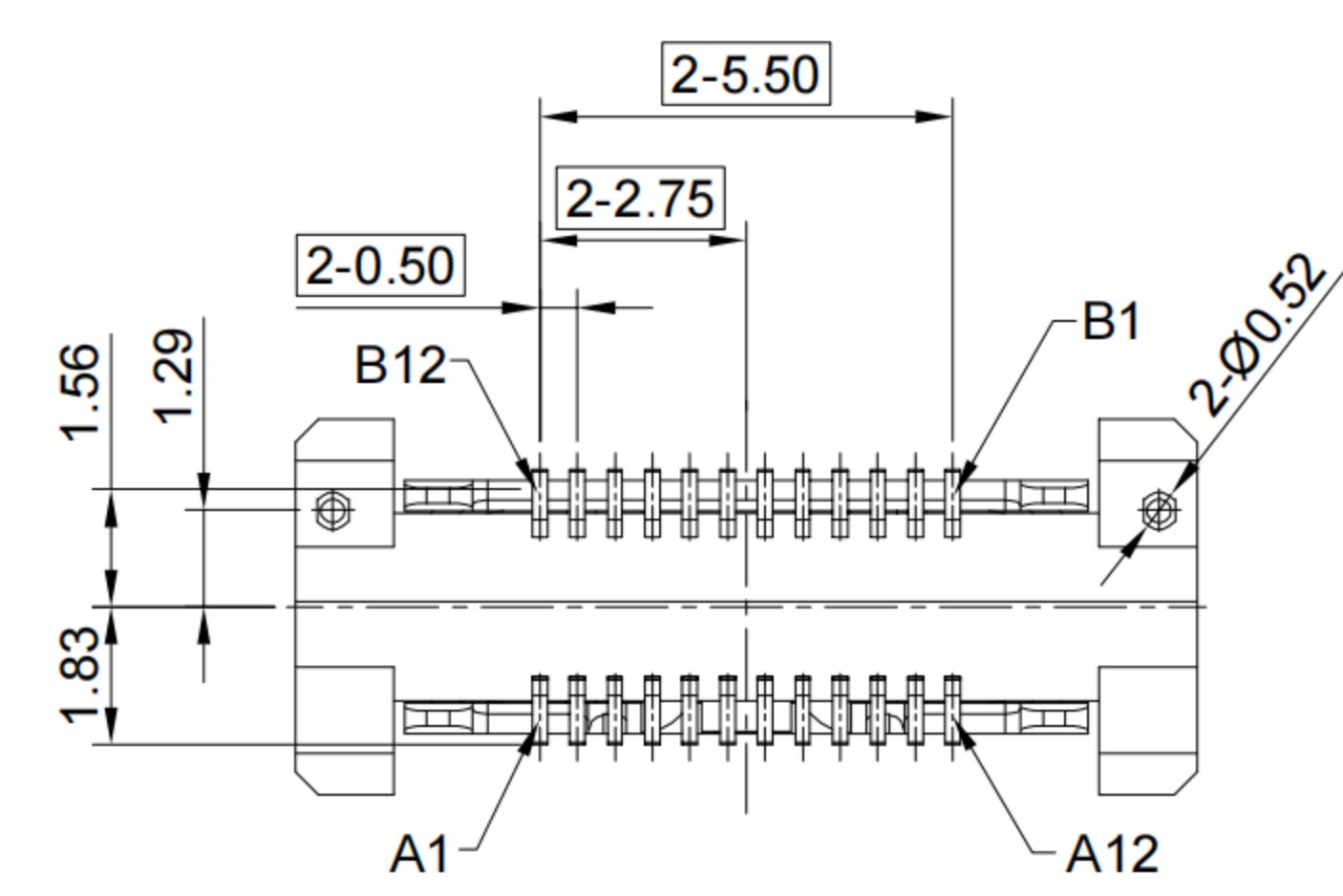


1
2
3
4
5



- G-Switch USB-C Specification:**
- Current rated: 5A on vbus/1.25A on vconn/0.25A on other
Voltage rating: 24V AC
 - Withstanding voltage: 100V AC/minute
 - Contact resistance: 40mΩ Max
 - Insulation resistance: 100MΩ Min
 - Operating temperature: -40°C ~ +85°C
 - Mating force: 5N~20N
 - Unmating force: 8N~20N
 - Durability cycle: 10,000 cycles
 - Data transmission rate up to 5Gbp/s



A1	A2	A3	A4	A5	A6	A7	A8	A9	A10	A11	A12
GND	TX1+	TX1-	VBUS	CC1	D+	D-	SBU1	VBUS	RX2-	RX2+	GND
First	Second	Second	First	Second	Second	Second	Second	First	Second	Second	First
B12	B11	B10	B9	B8	B7	B6	B5	B4	B3	B2	B1
GND	RX1+	RX1-	VBUS	SBU2	D-	D+	CC2	VBUS	TX2-	TX2+	GND
First	Second	Second	First	Second	Second	Second	Second	First	Second	Second	First

RECOMMENDED PCB LAYOUT
TOLERANCE: ±0.05

1	SHELL	STAINLESS STEEL	Ni PLATED
2	MID PLATE	STAINLESS STEEL	CLEAN
3	HOUSING	HIGH TEMPERATURE PLASTIC	PA9T UL94 V-0
4	TERMINALS	COPPER ALLOY C2680	Au PLATING ON CONTACT AREA
NO.	PARTS	MATERIAL	REMARKS



SCALE: 1:1	UNIT: mm	Title: Vertical Type-c 24P Female SMT H=10.0mm	
SIZE: A4		Molde Code: GT-USB-7053B	
Unless otherwise General Tolerance:		DRAWN	CHECKED
X.	/	Xia	Chen
X.x	±0.30	APPROVED	DATE
X.xx	±0.20	Chen	2023.02.01
X.xxx	±0.10		
X°	±10°		



REV: A0 SHEET: 1/2