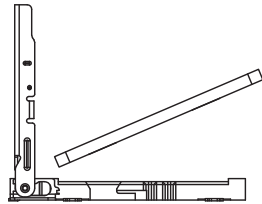
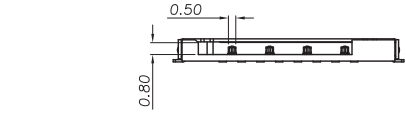
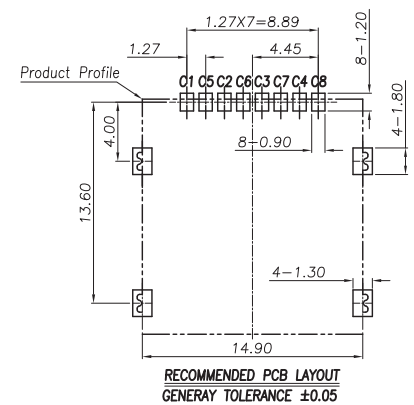
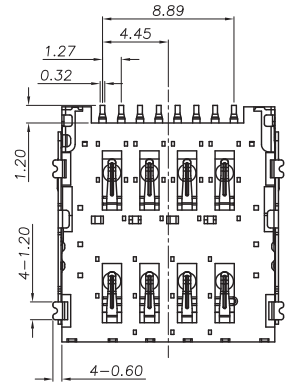
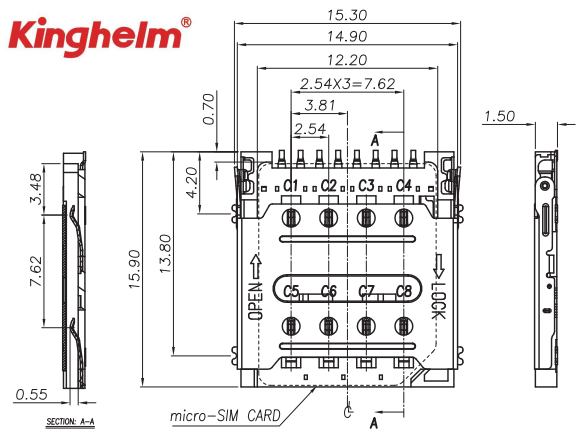


Kinghelm®



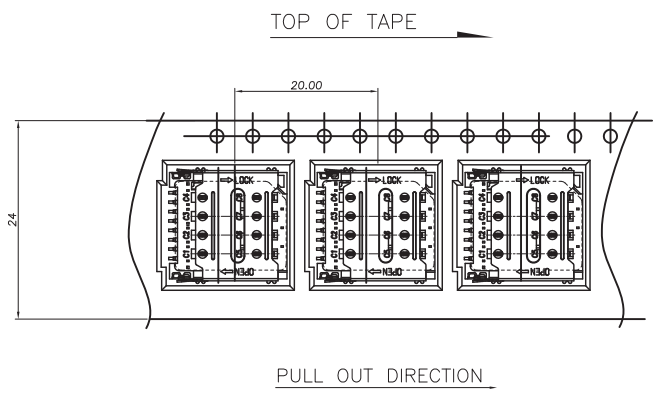
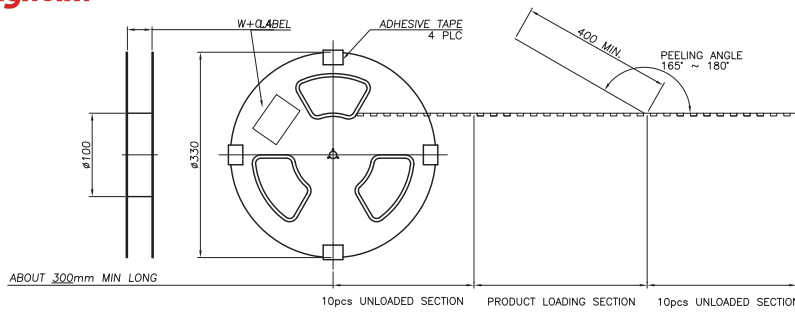
| SIM CARD | |
|----------|----------|
| Pin No. | NAME |
| C1 | VCC |
| C2 | RST |
| C3 | CLK |
| C4 | RESERVED |
| C5 | GND |
| C6 | VPP |
| C7 | I/O |
| C8 | RESERVED |

NOTES:

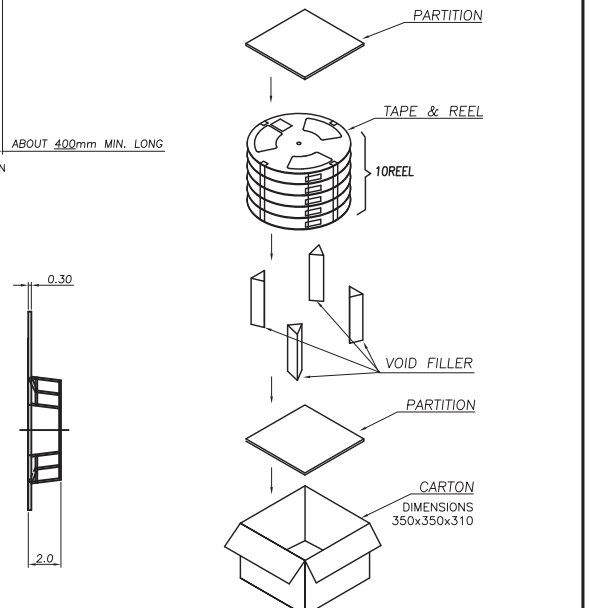
- ELECTRICAL CHARACTERISTICS**
 - CONTACT RESISTANCE: 60 Milliohms Max
 - INSULATION RESISTANCE: 1,000 Megohms Min.
 - DIELECTRIC WITHSTANDING VOLTAGE: 500V AC FOR 1 MINUTE.
- MECHANICAL CHARACTERISTICS**
 - OPERATION TEMPERATURE RANGE: -25°C~+70°C
 - DURABILITY: 5000 CYCLES
- MATERIAL:**
 - HOUSING: THERMOPLASTIC,UL 94-V0
 - TERMINAL: PHOSPHOR BRONZE,T=0.15
 - SHELL: STAINLESS STEEL,T=0.15
- FINISHED:**
 - TERMINAL: Ni PLATED UNDER,Au PLATED ON CONTACT AREA,G/F PLATED ON SOLDERTAIL
 - SHELL: Ni PLATED UNDER,G/F PLATED ON SOLDERTAIL

| | | | |
|---------------------------------------|-------|-----------------------------------|---------------------|
| UNLESS OTHERWISE SPECIFIED TOLERANCES | | 深圳市金航标电子有限公司 | www.kinghelm.com.cn |
| | | KH-SIM1616-8PIN | 0755-28190160 |
| DECIMALS: | | TITLE: 1.5H 掀盖MICRO SIM CARD 8PIN | |
| X. | ±0.20 | X' | ±2' |
| X.X | ±0.15 | X.X' | ±1' |
| X.XX | ±0.10 | X.XX' | ±0.5' |
| X.XXX | ±0.05 | CUSTOMER COPY | |

Kinghelm®



| Rev No. | Description of Revision | Date | Name | Approved | ECN No. |
|---------|-------------------------|------|------|----------|---------|
| A | | | | | |



NOTES:

- 10 SPROCKET HOLE PITCH CUMULATIVE TOLERANCE±0.2.
- CARRIER CAMBER IS WITHIN 1 MM IN 250MM.
- MATERIAL: CLARITY CONDUCTIVE POLYSTYRENE ALLOY 100% RECYCLABLE.
- ALL DIMENSIONS MEET EIA-481-3 REQUIREMENTS.
- THICKNESS: 0.30±0.05MM
- COMPONENT LOAD PER 13" REEL: 1000PCS.
- 10REEL/CARTON: 10000PCS

| | | | |
|---------------------------------------|-------|-----------------------------------|---------------------|
| UNLESS OTHERWISE SPECIFIED TOLERANCES | | 深圳市金航标电子有限公司 | www.kinghelm.com.cn |
| | | KH-SIM1616-8PIN | 0755-28190160 |
| DECIMALS: | | TITLE: 1.5H 掀盖MICRO SIM CARD 8PIN | |
| X. | ±0.20 | X' | ±2' |
| X.X | ±0.15 | X.X' | ±1' |
| X.XX | ±0.10 | X.XX' | ±0.5' |
| X.XXX | ±0.05 | CUSTOMER COPY | |