

信昌電子陶瓷股份有限公司  
Prosperity Dielectrics Co., Ltd.

No.566-1, Gaoshi Rd., Lujhu, Yangmei Dist., Taoyuan City 32668, Taiwan, R.O.C.

Tel. : +886-3-4753355 Fax : +886-3-4854959

**SPECIFICATION FOR APPROVAL**

<b>CUSTOMER :</b>	
<b>PART NO. :</b>	
JSNC104F395FABXG	
<b>Model No. :</b>	
JSNC104F395F	<b>ISSUE DATE :</b> Mar-30-2023
<b>CUSTOMER P/N :</b>	<b>REV. NO :</b>
	<b>REV. DATE :</b>

**ENGINEERING SIGNATURE**

EDITED BY 李旻珊	CHECKED BY 傅錦興	APPROVED BY 葉信青
---------------	----------------	-----------------

**CUSTOMER APPROVAL**

- Approval  
 Approval with the following change  
 Reject with the following reasons

**CUSTOMER SIGNATURE**

**DATE**

■ Vendor: PROSPERITY DIELECTRICS CO., LTD.

No. 566-1, Kaoshi Rd., Yangmei, Taoyuan 32668, Taiwan (R.O.C.)

TEL: +886-3-475-3355 , FAX: +886-3-485-4959 , <http://www.pdc.com.tw/>

■ Manufacturer: Joyin Co., Ltd.

No.160, Ln.623, Shenshen Rd., Yangmei Dist., Taoyuan city, Taiwan . <http://www.joyin.com.tw>

NTC THERMISTORS SMD

Edition : JSNC104F395FABXG

---

INDEX	Page
■ Part Number Code	1
■ Structure and Dimensions	2
■ Electrical Characteristics	2
■ Reliability	3
■ Soldering Recommendation	4
■ RoHS Compliant Declaration	5
■ Storage Condition of Products	5
■ Packaging	6
■ Safety Approvals & Certificates & Test Report	7
■ R-T Table	

NTC THERMISTORS SMD

Edition : JSNC104F395FABXG

Page 1

Part Number Code

JSN   C   104   F   395   F   A   BX   G  
 (1)   (2)   (3)   (4)   (5)   (6)   (7)   (8)   (9)

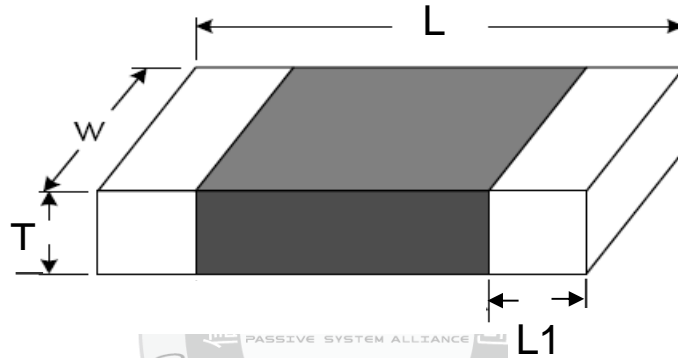
No.	Item	Digit	Specification
(1)	Product Type	JSN	NTC THERMISTORS SMD
(2)	Size	C	0805
(3)	Resistance at 25°C (R <sub>25</sub> )	104	10 x 10 <sup>4</sup> = 100 KΩ
(4)	Tolerance of R <sub>25</sub>	F	±1 %
(5)	B Value	395	3950 K
(6)	Tolerance of B Value	F	±1 %
(7)	Definition of B Value	A	B25/50
(8)	Optional Suffix	BX	Internal Code
(9)	Optional Suffix	G	Halogen-free & RoHS

NTC THERMISTORS SMD

Edition : JSNC104F395FABXG

Page 2

**Structure and Dimensions**



Unit : mm

L	W	T	L1
2.00±0.20	1.25±0.20	0.85±0.20	0.50±0.30

**Electrical Characteristics**

Part No.	Zero Power Resistance at 25°C	Tolerance of R <sub>25</sub>	B25/50 Value	Tolerance of B Value
	R <sub>25</sub> (KΩ)	(± %)	(K)	(± %)
JSNC104F395FABXG	100	1 %	3950	1 %

Part No.	Dissipation Factor	Thermal Time Constant	Max. Power Rating at 25°C	Operating Temperature Range
	δ (mW/°C)	τ(sec.)	P <sub>max</sub> (mW)	T <sub>L</sub> ~T <sub>U</sub> (°C)
JSNC104F395FABXG	Approx. 2.4	Approx. 7.5	240	-40 ~ +125

## NTC Thermistor

### ■ Reliability-SMD Type NTC JSN (Suitable for 125°C products)

Test description	Standard	Test condition	Test requirement															
Bending strength	IEC 60068-2-21	Speed <0.5mm/sec Duration : 10sec on PCB Warp : 2mm	No visible damage $\Delta R_{25}/R_{25} \leq \pm 5\%$															
Solderability	IEC 60068-2-58	245±5°C , 3±0.3 sec.	Above 95% in the terminal surface shall be with new solder															
Resistance to soldering heat	IEC 60068-2-58	260±5°C , 10±1 sec.	No visible damage $\Delta R_{25}/R_{25} \leq \pm 3\%$															
High temperature storage	IEC 60068-2-2	125±5°C , 1000±24 hrs.	No visible damage $\Delta R_{25}/R_{25} \leq \pm 5\%$															
Damp Heat, Steady State	IEC 60068-2-78	40±2°C , 90~95%RH , 1000±24 hrs.	No visible damage $\Delta R_{25}/R_{25} \leq \pm 3\%$															
Rapid Change of temperature	IEC 60068-2-14	Temperature cycle shall be repeated 5 cycles on PCB <table border="1" style="margin-left: auto; margin-right: auto;"> <thead> <tr> <th>Step</th> <th>Temperature(°C)</th> <th>Period(minutes)</th> </tr> </thead> <tbody> <tr> <td>1</td> <td>-40±5</td> <td>30±3</td> </tr> <tr> <td>2</td> <td>Room temperature</td> <td>5±3</td> </tr> <tr> <td>3</td> <td>125±5</td> <td>30±3</td> </tr> <tr> <td>4</td> <td>Room temperature</td> <td>5±3</td> </tr> </tbody> </table>	Step	Temperature(°C)	Period(minutes)	1	-40±5	30±3	2	Room temperature	5±3	3	125±5	30±3	4	Room temperature	5±3	No visible damage $\Delta R_{25}/R_{25} \leq \pm 3\%$
Step	Temperature(°C)	Period(minutes)																
1	-40±5	30±3																
2	Room temperature	5±3																
3	125±5	30±3																
4	Room temperature	5±3																
Max. Power Dissipation	IEC 60539-1 4.26.3	25±5°C , Pmax , 1000±24 hrs.	No visible damage $\Delta R_{25}/R_{25} \leq \pm 5\%$															

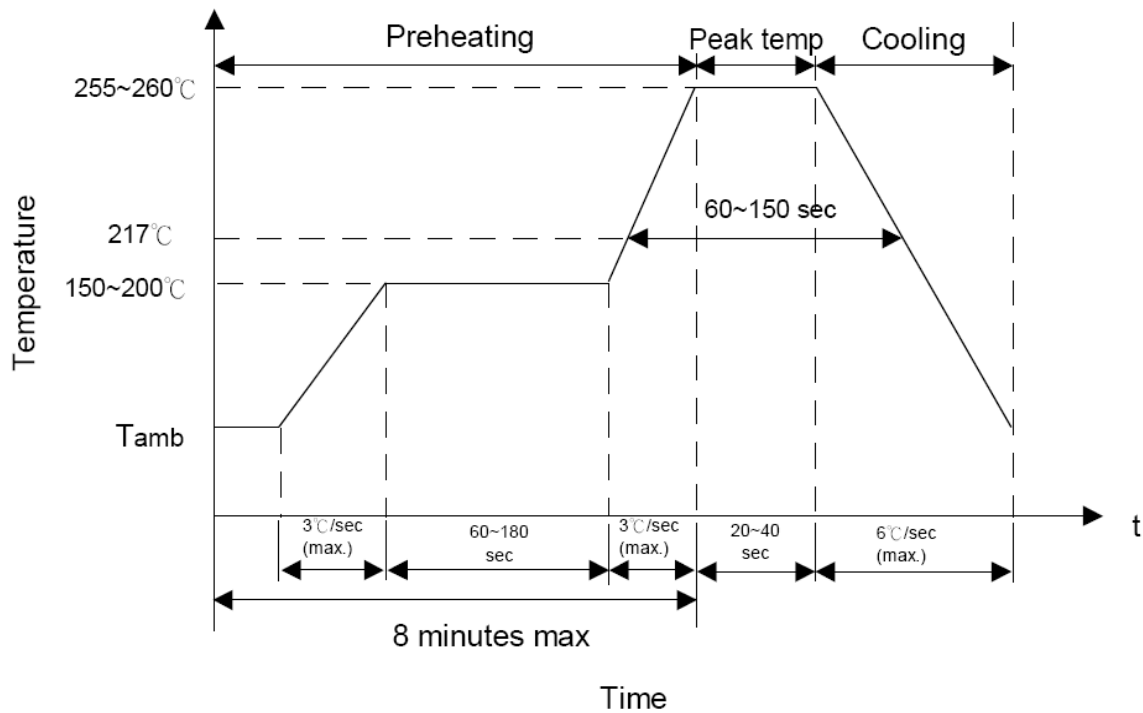
20211013

NTC THERMISTORS SMD

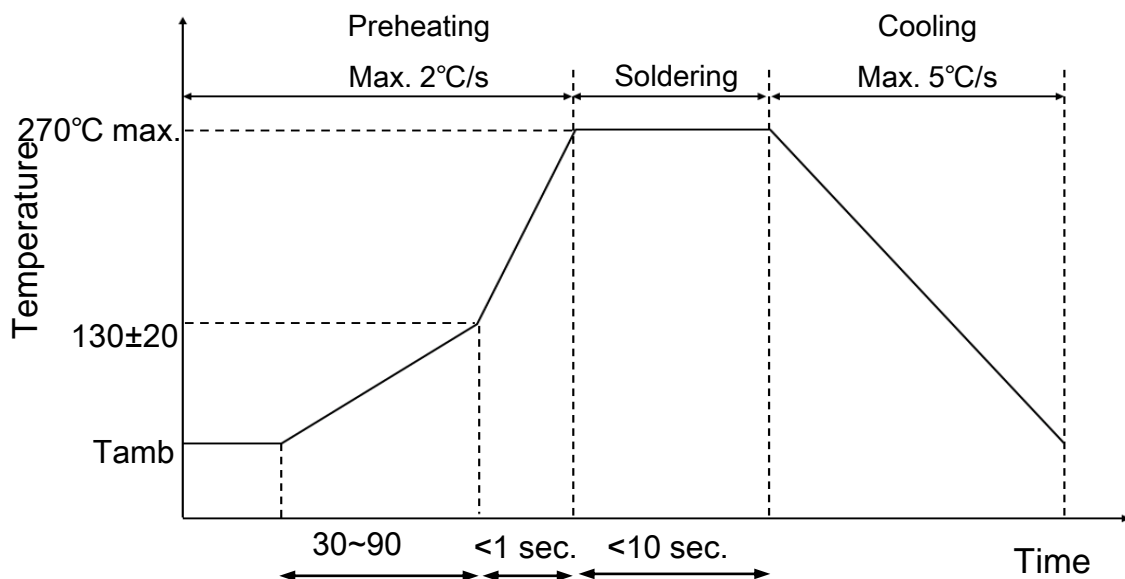
Edition : JSNC104F395FABXG

**Soldering Recommendation**

■ IR-Reflow Soldering Profile



■ Wave Flow Soldering Profile



NTC THERMISTORS SMD

Edition : JSNC104F395FABXG

Page 5

■ Recommended Reworking Conditions With Soldering Iron

Item	Conditions
Temperature of Soldering Iron-tip	360°C (max.)
Soldering Time	3 sec (max.)
Distance of Soldering Iron-tip	3 mm (max.)

**RoHS Compliant Declaration**

We hereby declare that the components delivered to your company are compliant with RoHS directive 2011/65/EU & (EU)2015/863

**Storage condition of products**

(I) Storage Conditions :

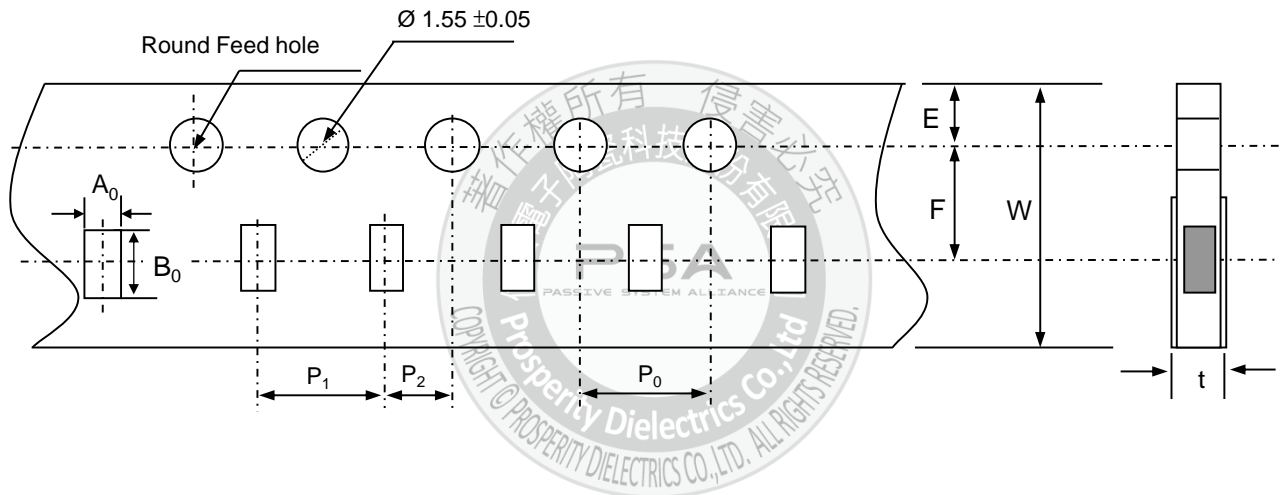
- 1.Storage Temperature : -10°C ~ +40°C
- 2.Relative Humidity :  $\leq 75\%RH$
- 3.Keep away from corrosive atmosphere and sunlight.
- 4.Moisture Level Sensitivity: Level 1, J-STD-020

(II) Period of Storage : 1 year

NTC THERMISTORS SMD  
Edition : JSNC104F395FABXG

**Packaging**

**Taping Specification**

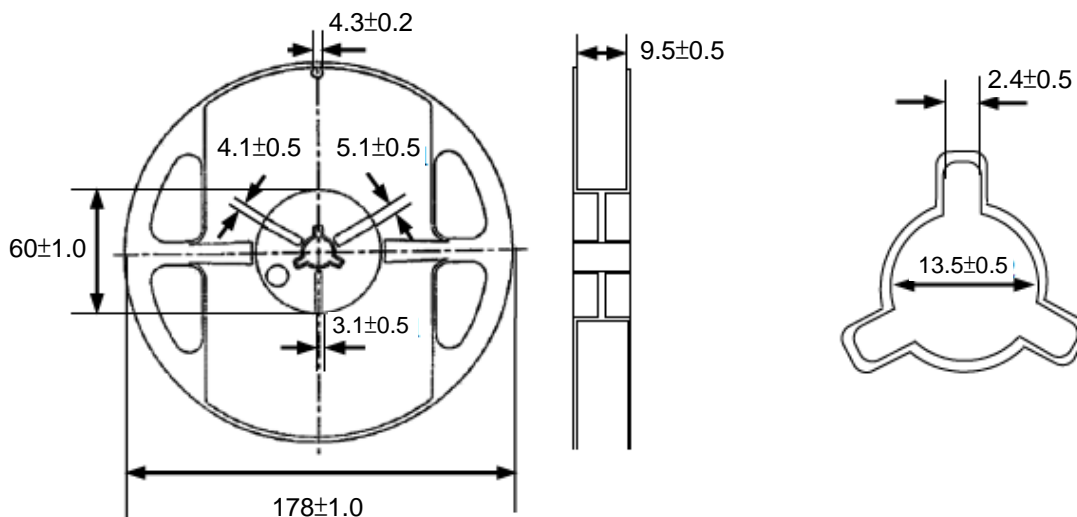


**Dimension of Paper Tape**

Unit : mm

Symbol	A <sub>0</sub>	B <sub>0</sub>	P <sub>1</sub>	P <sub>2</sub>	P <sub>0</sub>	E	F	W	t	Quantity
0805	1.50	2.30	4.00	2.00	4.00	1.75	3.50	8.00	0.95	4,000
	±0.05	±0.05	±0.10	±0.10	±0.10	±0.10	±0.10	±0.10	±0.05	Pcs / Reel

**Reel Specification**





NTC THERMISTORS SMD

Edition : JSNC104F395FABXG

Page 7

**Safety Approvals**

( Model No. : JSNC104F395F )



- \* UL 1434 & CUL recognized
- ( UL File # XGPU2.E171531 )
- ( CUL File # XGPU8.E171531 )

**Certificate**

- (1) IATF 16949 : 2016 Certificate
- (2) ISO 9001 : 2015 Certificate
- (3) ISO 14001 : 2015 Certificate
- (4) ISO 45001 : 2018 Certificate
- (5) IECQ QC080000:2017 Certificate

**SGS Tset Report**

- (1) RoHS(10項)+HF+Be ETR22B00389 Test Report

NTC THERMISTORS SMD

Edition : JSNC104F395FABXG

R-T TABLE

Part No : JSNC104F395F

R25 = 100KOhm ±1%

B25/50 = 3950K ±1%

Temp. (°C)	Rmax KΩ	Rnor KΩ	Rmin KΩ	Temp. Tol. (°C)	
-40	3005.345	2868.371	2731.398	0.64	-0.64
-39	2849.630	2721.674	2593.719	0.64	-0.64
-38	2700.222	2580.783	2461.343	0.63	-0.63
-37	2557.181	2445.769	2334.356	0.63	-0.63
-36	2420.507	2316.647	2212.786	0.62	-0.62
-35	2290.148	2193.382	2096.616	0.62	-0.62
-34	2166.010	2075.899	1985.787	0.61	-0.61
-33	2047.965	1964.088	1880.210	0.61	-0.61
-32	1935.856	1857.812	1779.769	0.61	-0.61
-31	1829.506	1756.916	1684.326	0.60	-0.60
-30	1728.722	1661.225	1593.727	0.59	-0.59
-29	1633.298	1570.553	1507.808	0.59	-0.59
-28	1543.022	1484.707	1426.393	0.58	-0.58
-27	1457.674	1403.489	1349.304	0.58	-0.58
-26	1377.037	1326.697	1276.357	0.57	-0.57
-25	1300.890	1254.129	1207.369	0.57	-0.57
-24	1229.017	1185.586	1142.155	0.56	-0.56
-23	1161.205	1120.871	1080.537	0.56	-0.56
-22	1097.245	1059.790	1022.335	0.55	-0.55
-21	1036.935	1002.156	967.377	0.55	-0.55
-20	980.081	947.788	915.495	0.54	-0.54
-19	926.492	896.509	866.526	0.54	-0.54
-18	875.989	848.151	820.314	0.53	-0.53
-17	828.398	802.553	776.707	0.52	-0.52
-16	783.554	759.558	735.563	0.52	-0.52
-15	741.298	719.021	696.744	0.51	-0.51
-14	701.482	680.799	660.117	0.51	-0.51
-13	663.962	644.761	625.560	0.50	-0.50
-12	628.604	610.778	592.952	0.49	-0.49
-11	595.281	578.732	562.182	0.49	-0.49
-10	563.872	548.508	533.143	0.48	-0.48
-9	534.263	519.999	505.735	0.47	-0.47

NTC THERMISTORS SMD

Edition : JSNC104F395FABXG

R-T TABLE

Part No : JSNC104F395F

R25 = 100KOhm ±1%

B25/50 = 3950K ±1%

Temp. (°C)	Rmax KΩ	Rnor KΩ	Rmin KΩ	Temp. Tol. (°C)	
-8	506.346	493.104	479.863	0.47	-0.47
-7	480.021	467.728	455.436	0.46	-0.46
-6	455.192	443.781	432.369	0.45	-0.45
-5	431.770	421.177	410.585	0.45	-0.45
-4	409.670	399.838	390.006	0.44	-0.44
-3	388.814	379.688	370.562	0.43	-0.43
-2	369.126	360.656	352.186	0.43	-0.43
-1	350.537	342.677	334.816	0.42	-0.42
0	332.981	325.687	318.394	0.41	-0.41
1	316.396	309.629	302.862	0.41	-0.41
2	300.725	294.448	288.170	0.40	-0.40
3	285.914	280.091	274.269	0.39	-0.39
4	271.911	266.511	261.111	0.39	-0.39
5	258.669	253.662	248.656	0.38	-0.38
6	246.142	241.502	236.861	0.37	-0.37
7	234.290	229.989	225.688	0.36	-0.36
8	223.072	219.087	215.103	0.36	-0.36
9	212.452	208.761	205.070	0.35	-0.35
10	202.394	198.977	195.560	0.34	-0.34
11	192.867	189.704	186.541	0.33	-0.33
12	183.839	180.913	177.987	0.33	-0.33
13	175.282	172.576	169.870	0.32	-0.32
14	167.169	164.668	162.167	0.31	-0.31
15	159.475	157.165	154.855	0.30	-0.30
16	152.177	150.044	147.911	0.29	-0.29
17	145.250	143.283	141.315	0.29	-0.29
18	138.676	136.862	135.048	0.28	-0.28
19	132.434	130.763	129.092	0.27	-0.27
20	126.506	124.968	123.430	0.26	-0.26
21	120.875	119.460	118.046	0.25	-0.25
22	115.523	114.224	112.924	0.25	-0.25
23	110.436	109.244	108.052	0.24	-0.24

NTC THERMISTORS SMD

Edition : JSNC104F395FABXG

R-T TABLE

Part No : JSNC104F395F

R25 = 100KOhm ±1%

B25/50 = 3950K ±1%

Temp. (°C)	Rmax KΩ	Rnor KΩ	Rmin KΩ	Temp. Tol. (°C)	
24	105.600	104.507	103.414	0.23	-0.23
25	101.000	100.000	99.000	0.22	-0.22
26	96.711	95.710	94.710	0.23	-0.23
27	0.093	91.627	90.628	0.24	-0.24
28	88.734	87.738	86.742	0.25	-0.25
29	85.025	84.034	83.043	0.27	-0.27
30	81.490	80.505	79.521	0.28	-0.28
31	78.120	77.143	76.165	0.29	-0.29
32	74.906	73.937	72.968	0.30	-0.30
33	71.840	70.881	69.921	0.31	-0.31
34	68.915	67.966	67.016	0.33	-0.33
35	66.123	65.185	64.247	0.34	-0.34
36	63.458	62.532	61.605	0.35	-0.35
37	60.914	59.999	59.085	0.36	-0.36
38	58.484	57.582	56.681	0.38	-0.38
39	56.162	55.274	54.386	0.39	-0.39
40	53.945	53.070	52.195	0.40	-0.40
41	51.825	50.964	50.103	0.41	-0.41
42	49.799	48.952	48.104	0.43	-0.43
43	47.861	47.029	46.196	0.44	-0.44
44	46.009	45.190	44.372	0.45	-0.45
45	44.237	43.433	42.629	0.46	-0.46
46	42.541	41.752	40.962	0.48	-0.48
47	40.919	40.144	39.369	0.49	-0.49
48	39.366	38.605	37.845	0.50	-0.50
49	37.879	37.133	36.387	0.52	-0.52
50	36.456	35.724	34.993	0.53	-0.53
51	35.092	34.375	33.658	0.54	-0.54
52	33.787	33.084	32.381	0.56	-0.56
53	32.535	31.847	31.158	0.57	-0.57
54	31.336	30.662	29.987	0.58	-0.58
55	30.187	29.526	28.865	0.60	-0.60

NTC THERMISTORS SMD

Edition : JSNC104F395FABXG

R-T TABLE

Part No : JSNC104F395F

R25 = 100KOhm ±1%

B25/50 = 3950K ±1%

Temp. (°C)	Rmax KΩ	Rnor KΩ	Rmin KΩ	Temp. Tol. (°C)	
56	29.085	28.438	27.791	0.61	-0.61
57	28.029	27.395	26.762	0.62	-0.62
58	27.016	26.396	25.776	0.64	-0.64
59	26.044	25.437	24.830	0.65	-0.65
60	25.112	24.518	23.924	0.67	-0.67
61	24.217	23.636	23.055	0.68	-0.68
62	23.359	22.790	22.222	0.69	-0.69
63	22.535	21.979	21.422	0.71	-0.71
64	21.744	21.200	20.656	0.72	-0.72
65	20.984	20.452	19.920	0.74	-0.74
66	20.255	19.734	19.214	0.75	-0.75
67	19.554	19.045	18.536	0.77	-0.77
68	18.881	18.383	17.885	0.78	-0.78
69	18.234	17.747	17.261	0.79	-0.79
70	17.612	17.136	16.661	0.81	-0.81
71	17.015	16.550	16.085	0.82	-0.82
72	16.440	15.986	15.531	0.84	-0.84
73	15.888	15.443	14.999	0.85	-0.85
74	15.357	14.922	14.488	0.87	-0.87
75	14.846	14.421	13.997	0.88	-0.88
76	14.354	13.939	13.524	0.90	-0.90
77	13.882	13.476	13.070	0.91	-0.91
78	13.427	13.030	12.634	0.93	-0.93
79	12.989	12.601	12.214	0.94	-0.94
80	12.567	12.189	11.810	0.96	-0.96
81	12.162	11.791	11.421	0.98	-0.98
82	11.771	11.409	11.047	0.99	-0.99
83	11.395	11.041	10.687	1.01	-1.01
84	11.033	10.687	10.341	1.02	-1.02
85	10.684	10.346	10.007	1.04	-1.04
86	10.347	10.017	9.686	1.05	-1.05
87	10.023	9.700	9.377	1.07	-1.07

NTC THERMISTORS SMD

Edition : JSNC104F395FABXG

R-T TABLE

Part No : JSNC104F395F

R25 = 100KOhm ±1%

B25/50 = 3950K ±1%

Temp. (°C)	Rmax KΩ	Rnor KΩ	Rmin KΩ	Temp. Tol. (°C)	
88	9.711	9.395	9.079	1.09	-1.09
89	9.410	9.102	8.793	1.10	-1.10
90	9.120	8.818	8.516	1.12	-1.12
91	8.841	8.545	8.250	1.13	-1.13
92	8.571	8.282	7.994	1.15	-1.15
93	8.311	8.029	7.747	1.17	-1.17
94	8.060	7.784	7.508	1.18	-1.18
95	7.818	7.548	7.278	1.20	-1.20
96	7.585	7.321	7.057	1.22	-1.22
97	7.359	7.101	6.843	1.23	-1.23
98	7.142	6.890	6.637	1.25	-1.25
99	6.932	6.685	6.439	1.27	-1.27
100	6.730	6.488	6.247	1.28	-1.28
101	6.534	6.298	6.062	1.30	-1.30
102	6.345	6.114	5.883	1.32	-1.32
103	6.163	5.937	5.711	1.33	-1.33
104	5.987	5.766	5.545	1.35	-1.35
105	5.817	5.601	5.384	1.37	-1.37
106	5.653	5.441	5.229	1.39	-1.39
107	5.494	5.287	5.079	1.40	-1.40
108	5.340	5.138	4.935	1.42	-1.42
109	5.192	4.994	4.795	1.44	-1.44
110	5.049	4.854	4.660	1.46	-1.46
111	4.910	4.720	4.530	1.47	-1.47
112	4.776	4.590	4.404	1.49	-1.49
113	4.647	4.464	4.282	1.51	-1.51
114	4.521	4.343	4.164	1.53	-1.53
115	4.400	4.225	4.050	1.54	-1.54
116	4.283	4.112	3.940	1.56	-1.56
117	4.170	4.002	3.834	1.58	-1.58
118	4.060	3.896	3.731	1.60	-1.60
119	3.954	3.793	3.632	1.62	-1.62

NTC THERMISTORS SMD

Edition : JSNC104F395FABXG

R-T TABLE

Part No : JSNC104F395F

R25 = 100KOhm  $\pm$ 1%

B25/50 = 3950K  $\pm$ 1%

Temp. (°C)	Rmax KΩ	Rnor KΩ	Rmin KΩ	Temp. Tol. (°C)	
120	3.851	3.693	3.535	1.64	-1.64
121	3.752	3.597	3.442	1.65	-1.65
122	3.655	3.504	3.352	1.67	-1.67
123	3.562	3.414	3.265	1.69	-1.69
124	3.472	3.326	3.181	1.71	-1.71
125	3.384	3.242	3.099	1.73	-1.73

