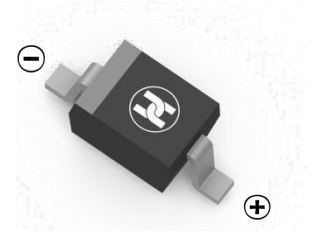
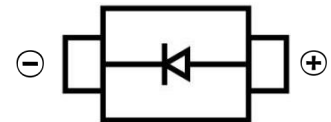


SCHOTTKY BARRIER DIODE
FEATURES

- Low Forward Voltage
- Fast Switching
- Low Capacitance
- PN Junction Guard Ring for Transient and ESD Protection


SOD-323

MECHANICAL DATA

- Case: SOD-323
- Case Material: Molded Plastic. UL flammability
- Classification Rating: 94V-0
- Weight: 0.005 grams (approximate)

MARKING:
SD103AWS:S4
SD103BWS:S5
SD103CWS:S6
MAXIMUM RATINGS (T_A = 25°C unless otherwise noted)

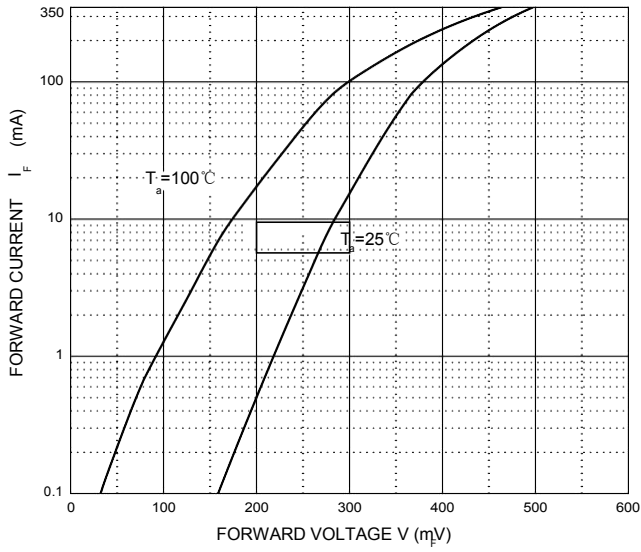
Parameter	Symbol	SD103AWS	SD103BWS	SD103CWS	Unit
Peak Repetitive Peak Reverse Voltage	V _{RRM}				
Working Peak Reverse Voltage	V _{RWM}	40	30	20	V
DC Blocking Voltage	V _R				
RMS Reverse Voltage	V _{R(RMS)}	28	21	14	V
Forward Continuous Current	I _{FM}	350			mA
Non-repetitive Peak Forward Surge Current @t=8.3ms	I _{FSM}	2.0			A
Power Dissipation	P _d	200			mW
Thermal Resistance Junction to Ambient	R _{θJA}	500			°C/W
Junction Temperature	T _j	125			°C
Storage Temperature	T _{STG}	-55~+150			°C

ELECTRICAL CHARACTERISTICS (T_A = 25°C unless otherwise specified)

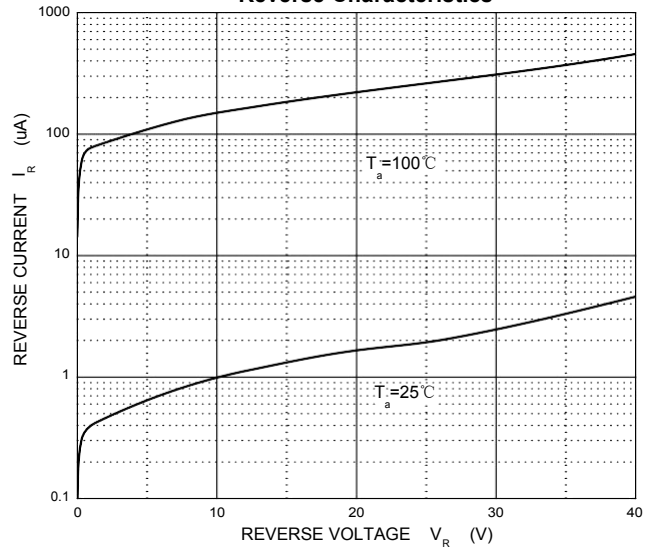
Parameter	Symbol	Min	Typ	Max	Unit	Conditions
Reverse breakdown voltage	V _(BR)	40			V	I _R =100μA
SD103AWS		30				I _R =100μA
SD103BWS		20				I _R =100μA
Forward voltage	V _F			0.37 0.60	V	I _F =20mA I _F =200mA
Reverse current	I _{RM}			5.0		μA
SD103AWS						
SD103BWS						
Capacitance between terminals	C _T			50	pF	V _R =0V, f=1.0MHz
Reverse recovery time	t _{rr}		10		ns	I _F =I _R =200mA I _{rr} =0.1X I _R , R _L =100Ω

SCHOTTKY BARRIER DIODE

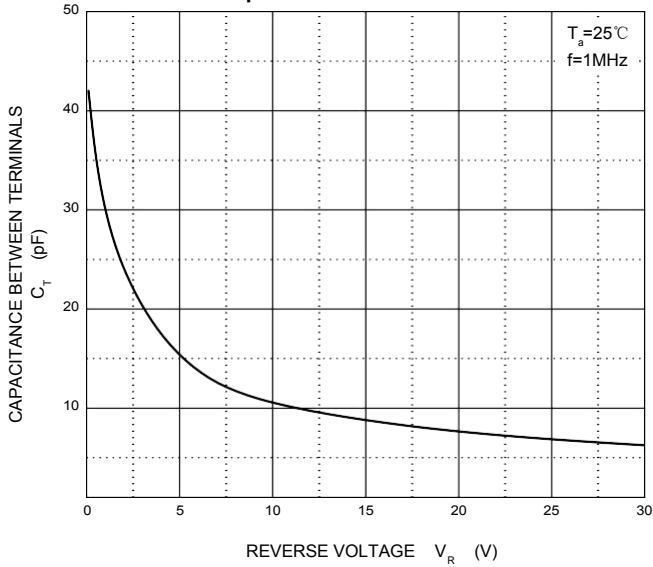
Forward Characteristics



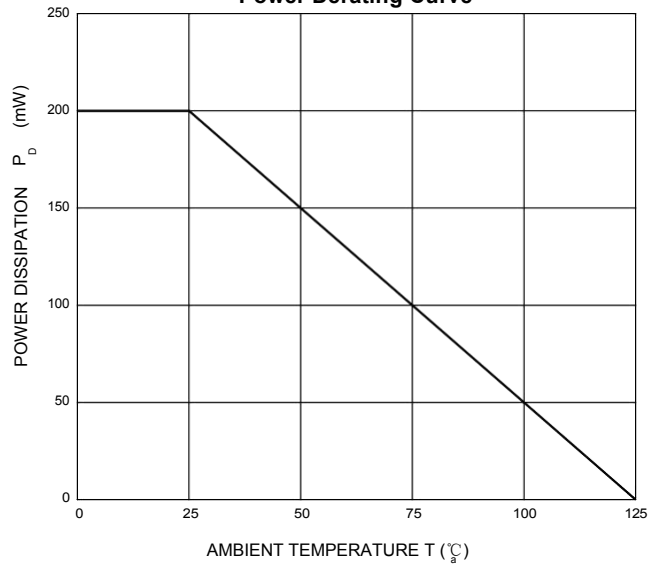
Reverse Characteristics

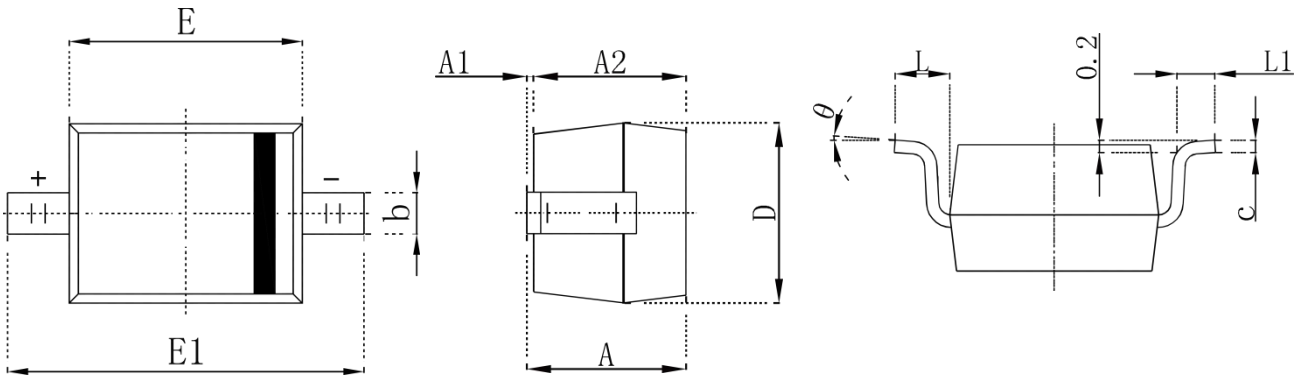


Capacitance Characteristics

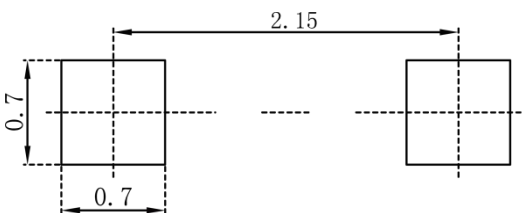


Power Derating Curve



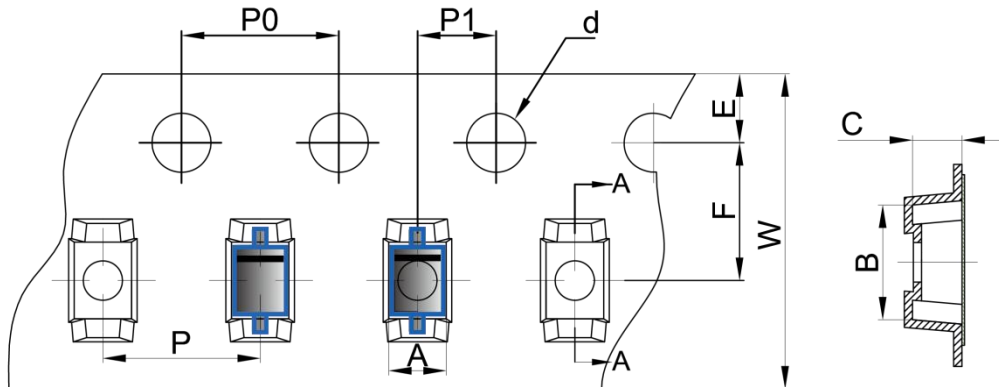
SCHOTTKY BARRIER DIODE
SOD-323 Package Outline Dimensions


Symbol	Dimensions In Millimeters		Dimensions In Inches	
	Min.	Max.	Min.	Max.
A		1.000		0.039
A1	0.000	0.100	0.000	0.004
A2	0.800	0.900	0.031	0.035
b	0.250	0.350	0.010	0.014
c	0.080	0.150	0.003	0.006
D	1.200	1.400	0.047	0.055
E	1.600	1.800	0.063	0.071
E1	2.250	2.750	0.100	0.108
L	0.475 REF		0.019 REF	
L1	0.250	0.400	0.010	0.016
θ	0°	8°	0°	8°

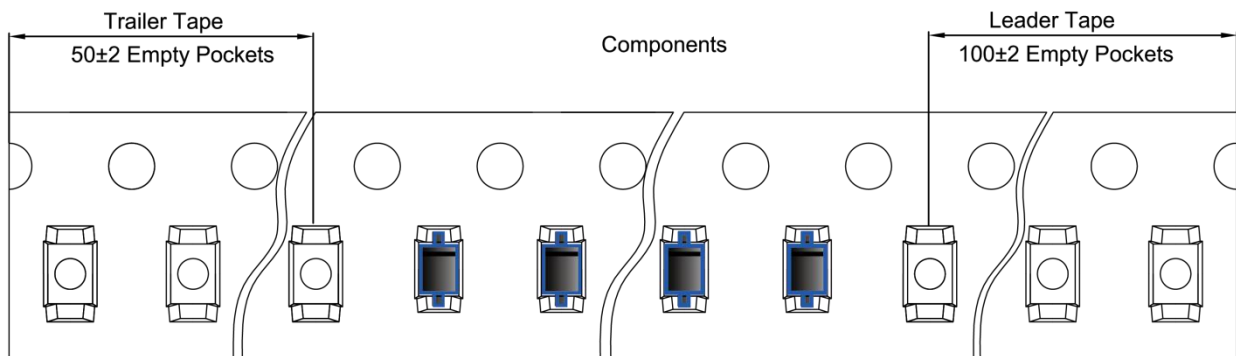
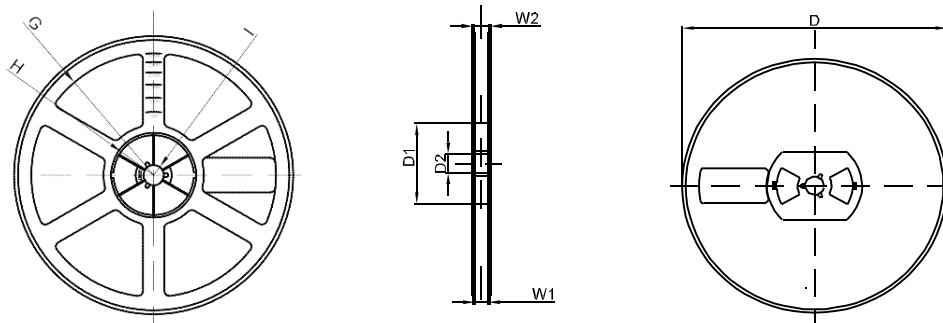
SOD-323 Suggested Pad Layout

Note:

1. Controlling dimension: in millimeters
2. General tolerance: $\pm 0.05\text{mm}$
3. The pad layout is for reference purposes only

SCHOTTKY BARRIER DIODE

SOD-323 Tape and Reel
SOD-323 Embossed Carrier Tape


DIMENSIONS ARE IN MILLIMETER										
TYPE	A	B	C	d	E	F	P0	P	P1	W
SOD-323	1.48	3.3	1.25	Ø1.50	1.75	3.50	4.00	4.00	2.00	8.00
TOLERANCE	±0.1	±0.1	±0.1	±0.1	±0.1	±0.1	±0.1	±0.1	±0.1	±0.1

SOD-323 Tape Leader and Trailer

SOD-323 Reel


DIMENSIONS ARE IN MILLIMETER								
REEL OPTION	D	D1	D2	G	H	I	W1	W2
7" DIA	Ø178	54.40	13.00	R78	R25.60	R6.50	9.50	12.30
TOLERANCE	±2	±1	±1	±1	±1	±1	±1	±1