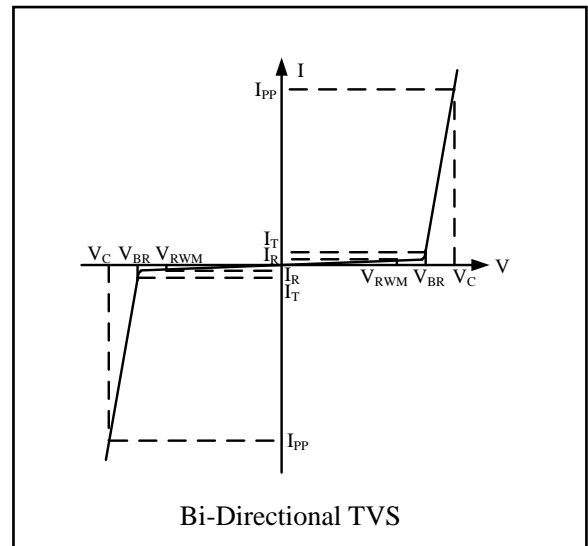


Absolute Maximum Rating

Symbol	Parameter	Value	Units
I_{PP}	Peak Pulse Current (8/20 μ s)	20	A
P_{PK}	Peak Pulse Power (8/20 μ s)	350	Watts
V_{ESD}	ESD per IEC 61000-4-2 (Air)	± 30	kV
	ESD per IEC 61000-4-2 (Contact)	± 30	
T_{OPT}	Operating Temperature	-55 to +150	°C
T_{STG}	Storage Temperature	-55 to +150	°C
T_{LST}	Lead Soldering Temperature	260	°C

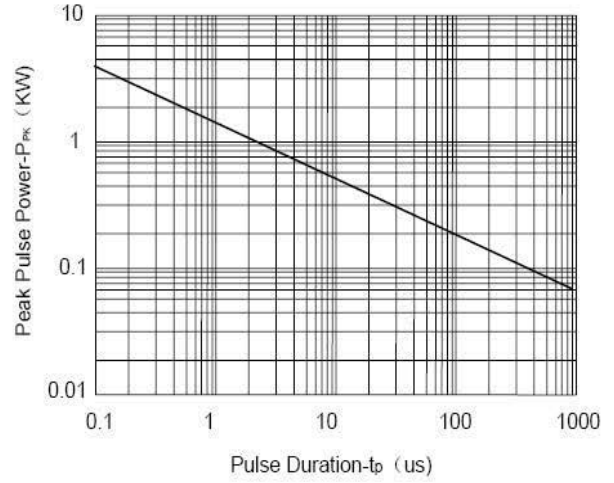
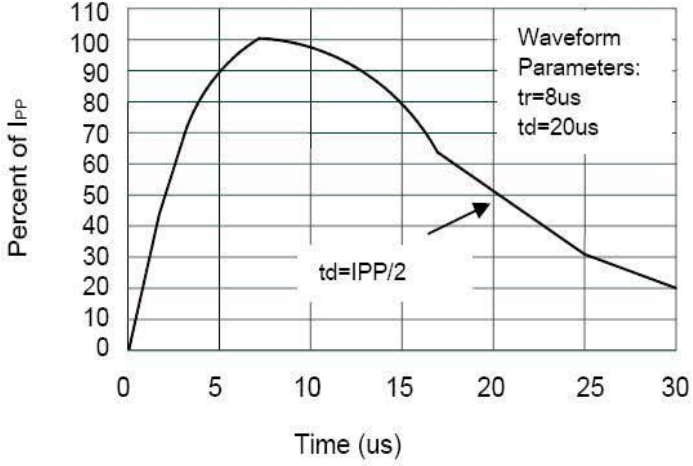
Electrical Characteristics (T = 25°C)

Symbol	Parameter
V_{RWM}	Nominal Reverse Working Voltage
I_R	Reverse Leakage Current @ V_{RWM}
V_{t1}	Trigger Voltage
I_{t1}	Trigger Current @ V_{t1}
V_h	Holding Voltage
I_h	Holding Current @ V_h
V_C	Clamping Voltage @ I_{PP}
I_{PP}	Maximum Peak Pulse Current
C_{ESD}	Parasitic Capacitance
C_{Δ}	Variation in C_{ESD} with Reverse Bias

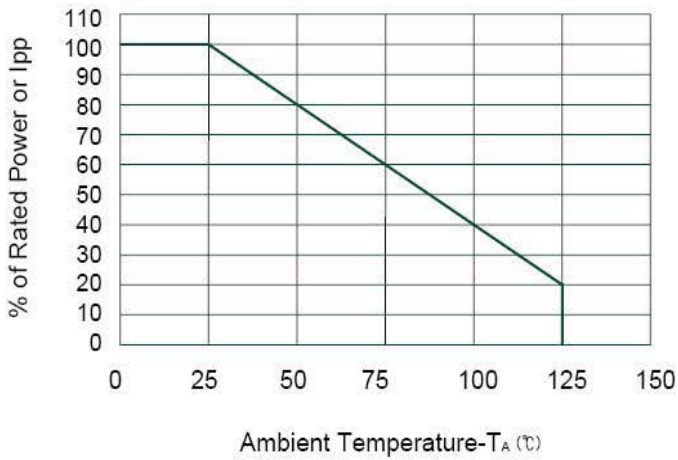


Symbol	Test Condition	Minimum	Typical	Maximum	Units
V_{RWM}				8.0	V
I_R	$V_{RWM} = 8.0V, T = 25^{\circ}C$		0.1	1.0	μA
V_{BR}	$I_T = 1mA$	8.5			V
V_C	$I_{PP} = 5A, t_p = 8/20\mu s$			12.0	V
V_C	$I_{PP} = 20A, t_p = 8/20\mu s$			18.0	V
C_{ESD}	$V_R = 8.0V, f = 1MHz$		1.5	2.0	pF

Electrical Characteristics Curve



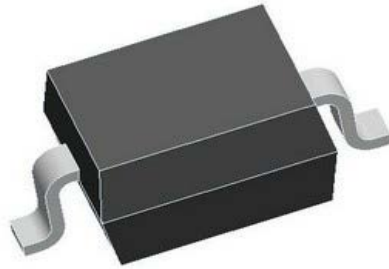
Pulse Waveform



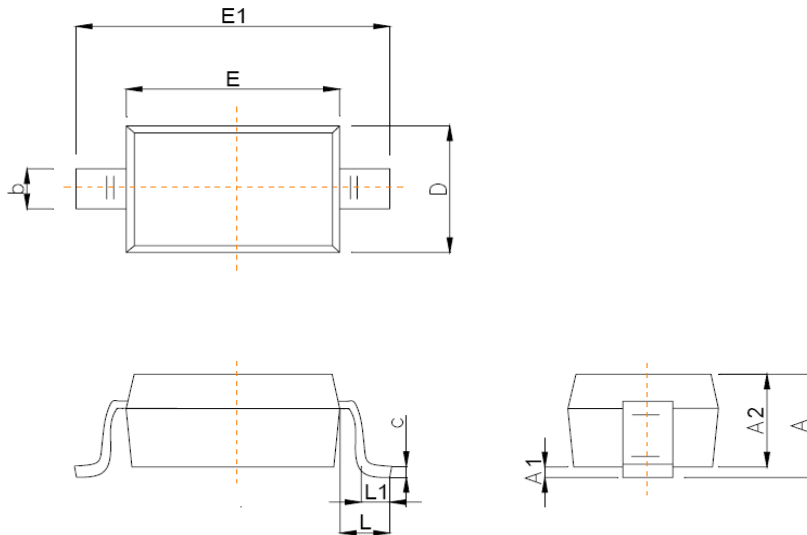
Power Derating Curve

Package Outline

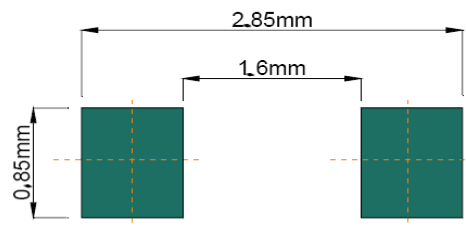
- SOD-323 package
- MSL-3 Level



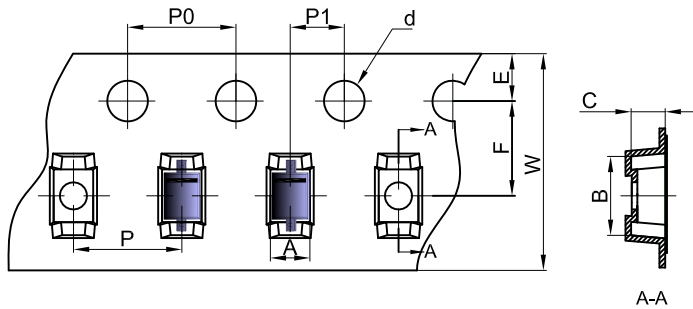
Package Outline Dimensions



Symbol	Dimensions In Millimeters	
	Min	Max
A		1.00
A1	0.000	0.100
A2	0.800	0.900
b	0.250	0.350
c	0.080	0.150
D	1.200	1.400
E	1.600	1.800
E1	2.500	2.700
e	1.800	2.040
L	0.475 REF	
L1	0.250	0.400
θ	0°	8°

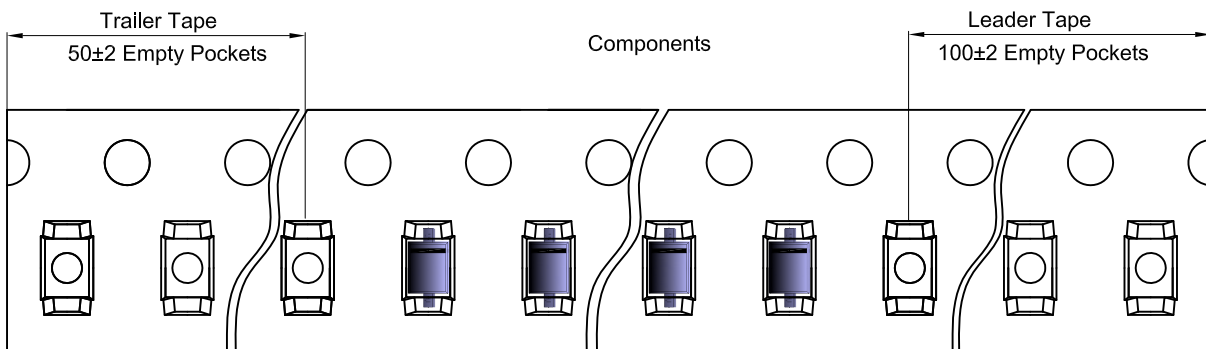
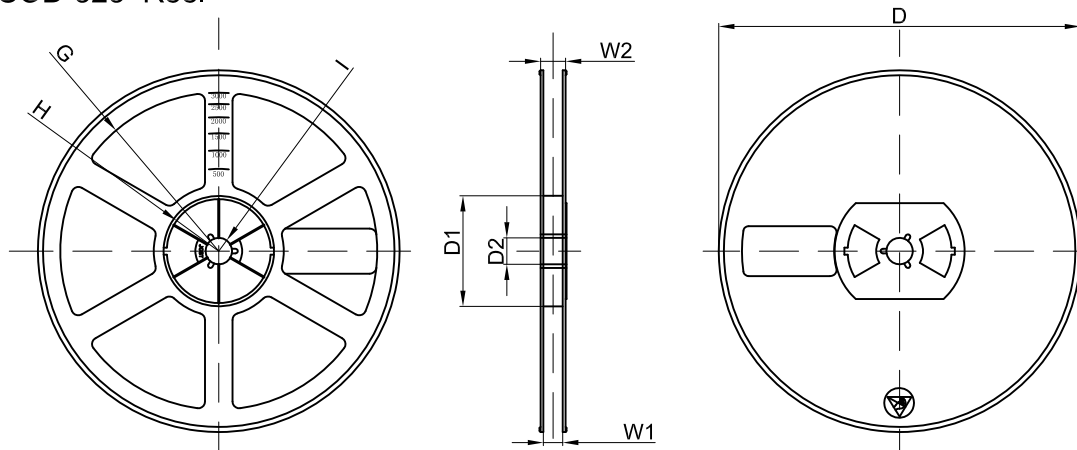


Recommended Pad outline

Tape and Reel Specification

Packaging Description:

SOD-323 parts are shipped in tape. The carrier tape is made from a dissipative (carbon filled) polycarbonate resin. The cover tape is a multilayer film (Heat Activated Adhesive in nature) primarily composed of polyester film, adhesive layer, sealant, and anti-static sprayed agent. These reeled parts in standard option are shipped with 3,000 units per 7" or 17.8cm diameter reel. The reels are clear in color and is made of polystyrene plastic (anti-static coated).

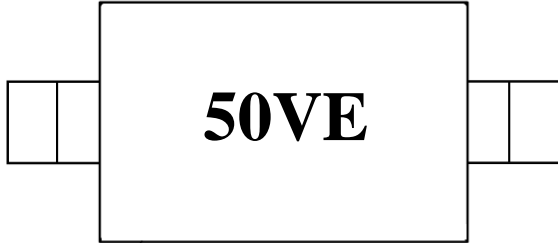
Dimensions are in millimeter										
Pkg type	A	B	C	d	E	F	P0	P	P1	W
SOD-323	1.48	3.3	1.25	Ø1.50	1.75	3.50	4.00	4.00	2.00	8.00

SOD-323 Tape Leader and Trailer

SOD-323 Reel


Dimensions are in millimeter								
Reel Option	D	D1	D2	G	H	I	W1	W2
7" Dia	Ø178.00	54.40	13.00	R78.00	R25.60	R6.50	9.50	12.30

REEL	Reel Size	Box	Box Size(mm)	Carton	Carton Size(mm)	G.W.(kg)
3000 pcs	7 inch	45,000 pcs	203×203×195	180,000 pcs	438×438×220	

Marking Codes



Note:

(1) 50VE is the Part Number, fixed.

Ordering Information

Part Number	Working Voltage	Quantity Per Reel	Reel Size
TS0801VEX	8.0V	3,000	7 Inch