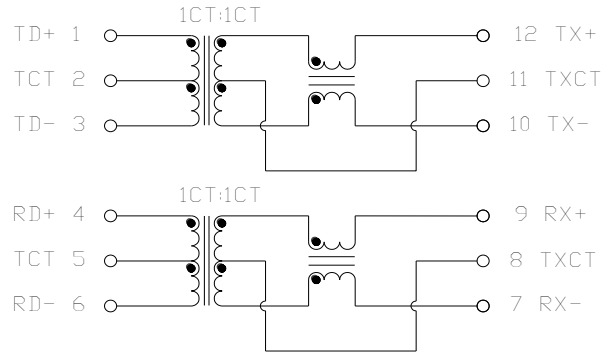
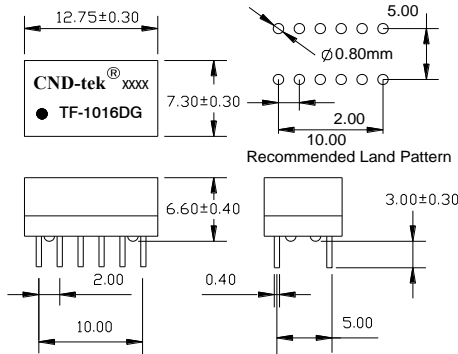


- Compatible with various 10/100 Base-TX transceiver requiring 1:1 transmit and receive turns ratio
- Compliant with IEEE 802.3 standard including baseline wander compensation specification of $350\mu\text{H}$ OCL when Biased at 8mA from 0°C to 70°C
- Single channel interface for 10/100Mbps Ethernet applications with CMC's tuned to Enhance EMC system performance
- Available in Through Hole package.
- Operating Temperature range: 0°C TO $+70^\circ\text{C}$
- Storage temperature range: -25°C TO $+125^\circ\text{C}$



DIMENSIONS & SCHEMATICS

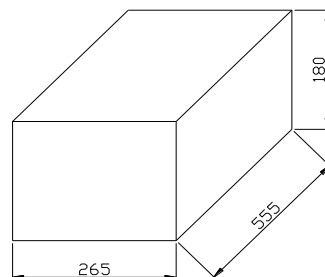
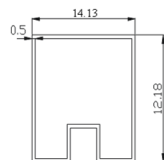
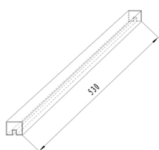


Note: 1. Dimension: mm, 2. Unless otherwise specified, tolerances are: ± 0.05 mm

TECHNICAL SPECIFICATIONS

| | |
|---------------------------|--|
| OCL : | $350\mu\text{H}$ Min. @ 100 KHz, 100mV with 8mA DC Bias |
| Leakage Inductance: | $0.5\mu\text{H}$ Max. @ 100KHz, 0.2V |
| Cw/w: | 28 pF Max. @ 100KHz, 0.2V |
| DCR: | 0.90Ω Max. |
| Turns Ratio($\pm 5\%$): | 1CT:1(TX), 1CT:1(RX) |
| Polarity: | 1-12, 4-9 In-Phase |
| Insertion Loss: | -1.1 dB Max. (TX & RX)@ 1-100 MHz |
| Return Loss: | -18 dB Min @ 0.5-30MHz -15 dB Min @ 40 MHz -13 dB Min @ 60 MHz -11 dB Min @ 80 MHz -10 dB Min. @ 100 MHz |
| Cross Talk: | -45 dB Min. @ 30 MHz -40 dB Min. @ 60 MHz -35 dB Min. @ 100 MHz |
| Common Mode Rejection : | -43 dB Min. @ 1-30 MHz -37 dB Min. @ 60 MHz -33 dB Min. @ 80-100 MHz |
| Isolation HI-POT: | 1500Vrms 1mA 1Second |

PACKING SPECIFICATION



- units/reel: 40PCS
- reel/carton: 280PCS
- units/carton : 11200PCS