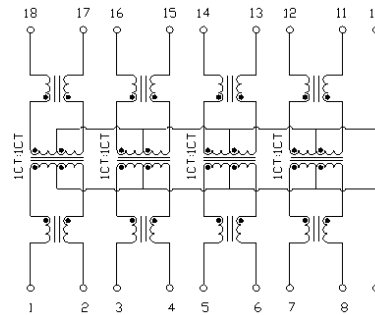
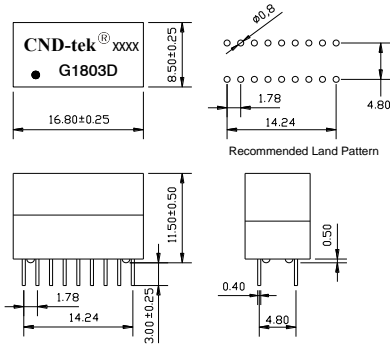


1. Designed for long haul Gigabit Ethernet 1000 Base-T, full duplex applications.
2. Supports four pairs of category 5 UTP cable.
3. Cable interface for isolation and low common mode emissions
4. Compliant with IEEE 802.3ab standard for 1000 Base-T
5. Operating Temperature range: 0 C TO +70 C
6. Storage temperature range: -25 C TO +125 C



## DIMENSIONS & SCHEMATICS

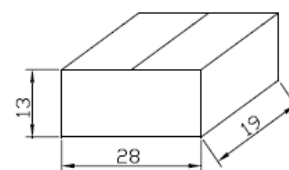
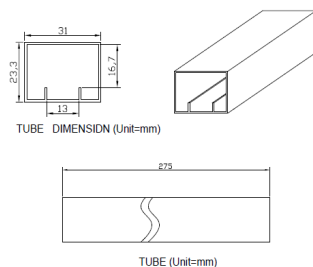


Note: 1. Dimension: mm; 2. Unless otherwise specified, tolerances are: ±0.05mm;

## TECHNICAL SPECIFICATIONS

OC L :	350 $\mu$ H Min. @ 100 KHz, 100mV with 8mA DC Bias
Leakage Inductance:	0.5 $\mu$ H Max. @ 100KHz, 0.2V
Cw/w:	130pF Max. @ 100KHz, 0.2V
DCR:	1.20 $\Omega$ Max.
Turns Ratio(±5%):	1CT:1(TX), 1CT:1(RX)
Polarity:	1-18, 3-16, 5-14, 7-12 In-Phase
Insertion Loss:	-1.1 dB Max. (TX & RX)@ 1-100 MHz
Return Loss:	-18 dB Min @ 0.5-30MHz -15 dB Min @ 40 MHz -13 dB Min @ 60 MHz -11 dB Min @ 80 MHz -10 dB Min.@ 100 MHz
Cross Talk:	-45 dB Min.@ 30 MHz -40 dB Min.@ 60 MHz -35 dB Min.@ 100 MHz
Common Mode Rejection :	-43 dB Min.@ 1-30 MHz -37 dB Min.@ 60 MHz -33 dB Min.@ 80-100 MHz
Isolation HI-POT:	1500Vrms 1mA 1Second

## PACKING SPECIFICATION



1. units/reel:30PCS
2. reel/carton:120PCS
3. units/carton :3600PCS