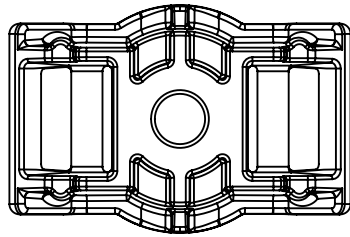
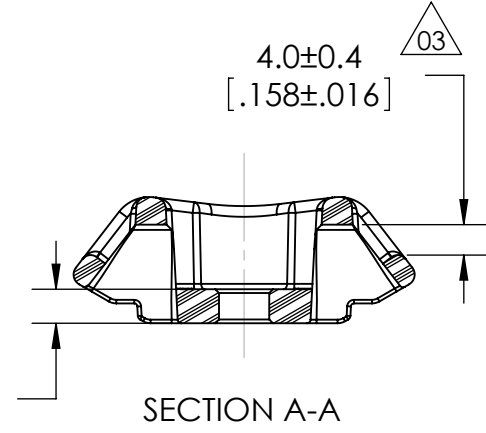
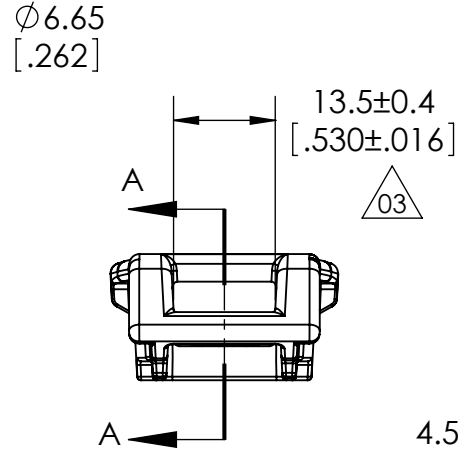
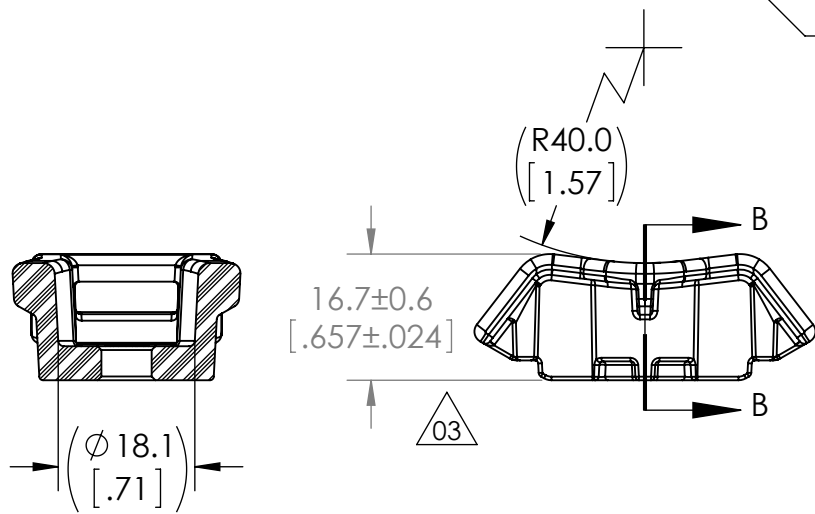
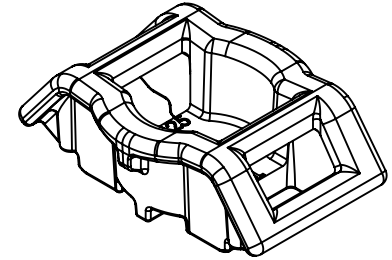
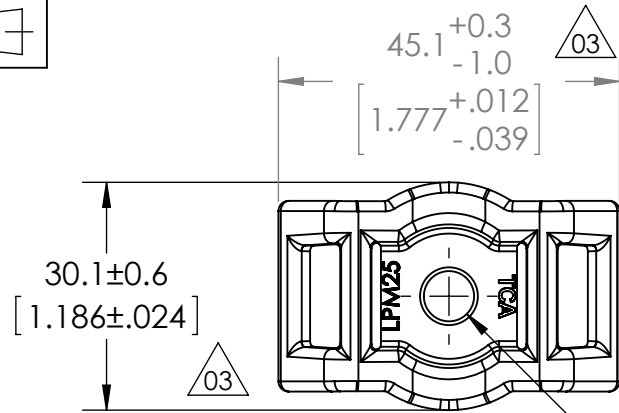


SW2011



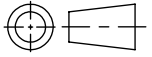
Revision Level		Revision Record	Changed	Date	Approved	Date
Drawing	Part					
03	A	SEE ECN# 012204	MHT	10/18/2012	MHT	10/18/2012



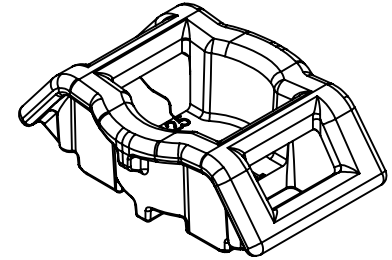
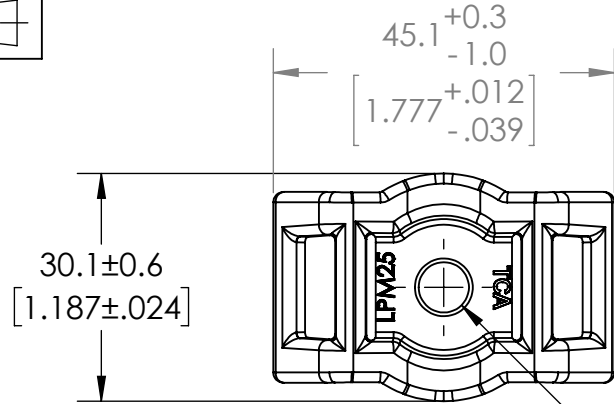
**NOTES:**  
 1. MAXIMUM TORQUE NOT TO EXCEED; 11.3 Nm (100 in/lb)

Material PA66HIRHSUV	Units: millimeters  Dimension without tolerances details to: .xxx = ±.013 .xx = ±.13 .x = ±.3 None = ±.8 ∠ = ±0.5°	The copyright of this drawing is reserved by HellermannTyton. It is issued on condition that it is not reproduced, copied, or disclosed to a third party, either wholly or in part, without the consent of HellermannTyton.	Drawn	LAW	04/11/2012	Article/Type-No LPM25	Scale 1:1
			Approved	LAW	04/11/2012		
 North America Email: corp@htamericas.com Web: www.hellermann.tyton.com					Drawing-No <b>12-0302-001-CSU</b>	Production : Phase Format AH Sheet 1/1	

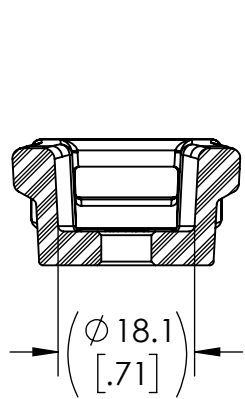
SW



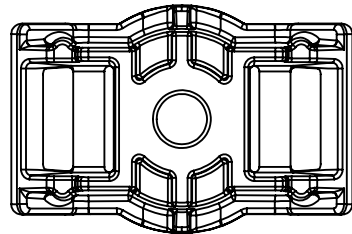
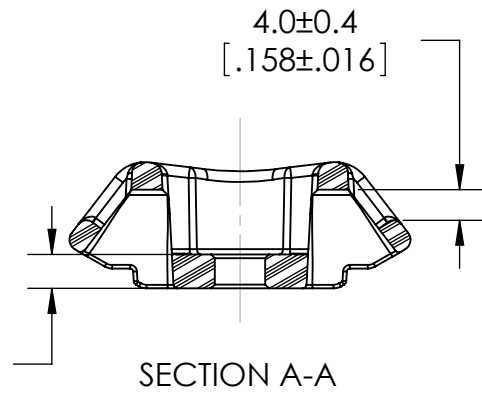
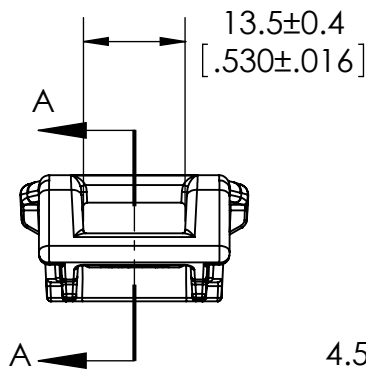
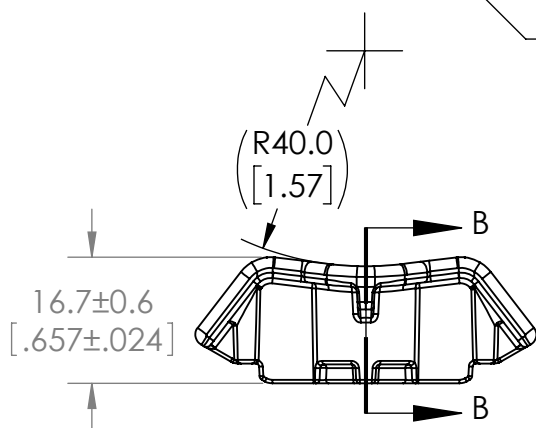
Revision level			Revision Record	Changed	Date	Approved	Date
Drawing	State	Part					
01.1	Design Release	A	SEE ECN# 015869	CTF	04/16/2020	MHT	04/16/2020



Ø6.65  
[.262]



SECTION B-B



**NOTES:**

1. MAXIMUM TORQUE NOT TO EXCEED; 11.3 Nm (100 in/lb)

Material  
PA666V0  
COLOR: BLACK



Units: **millimeters**  
Dimension without tolerances details to:  
.xxx = ±.013  
.xx = ±.13  
.x = ±.3  
None = ±.8  
∠ = ±0.5°  
Dimension Formatted mm/[in]

The copyright of this drawing is reserved by HellermannTyton. It is issued on condition that it is not reproduced, copied, or disclosed to a third party, either wholly or in part, without the consent of HellermannTyton.

Drawn	CTF	09/26/2019
Approved	MHT	09/26/2019

**HellermannTyton**  
North America  
Email: corp@htamericas.com  
Web: www.hellermann.tyton.com

Article/Type-No LPM25  
Title **LOW PROFILE MOUNT FOR 6mm OR 0.25in HEX HEAD BOLT**  
Drawing-No \_\_\_\_\_ Production : Phase \_\_\_\_\_  
**12-0302-002-CSU**

Scale 1:1  
Project Number PRP 12-0302  
Format AH  
Sheet 1/1