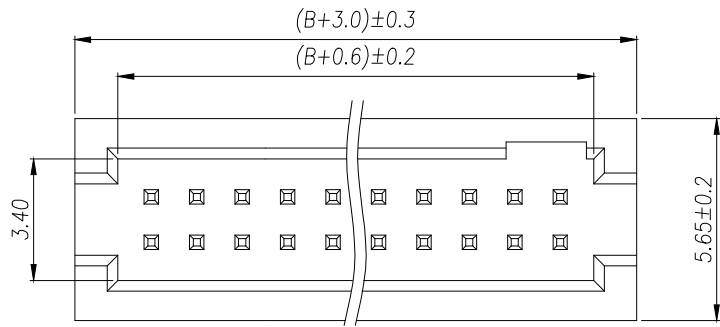
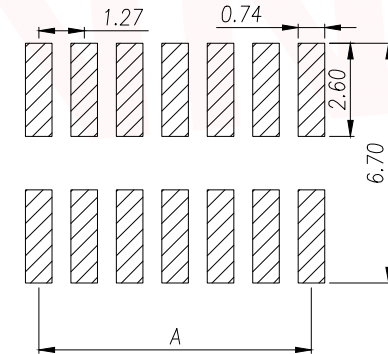
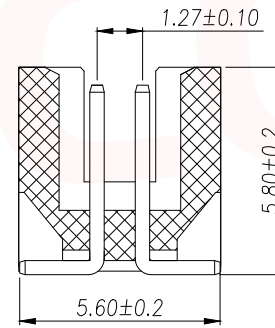
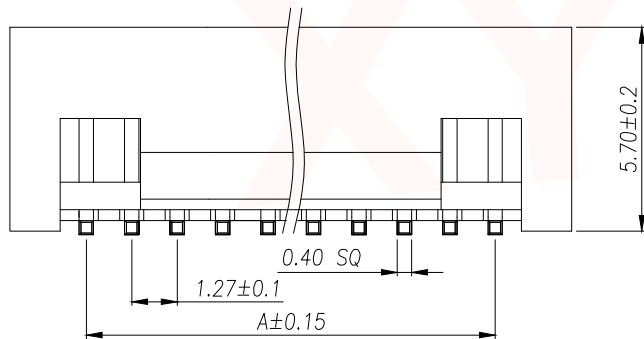


REV.	Q'TY	ECN. NO.	APR.	DATE



SPECIFICATIONS

Current Rating: 1.0 Amps  
 Withstanding Voltage: AC 500V  
 Insulation Resistance: 1000MΩ Min  
 Contact Resistance: 20mΩ Max  
 Operation Temperature: -40°to+105°  
 Insulator Material: Polyester(UL94V-0)  
 Contact Material: Brass  
 Standard: PA6T  
 Contact Plating: Gold Flash  
 Max.Processing Temp: 240°C for30-60seconds  
 (260°C for5seconds)



RECOMMEND P.C.B LAYOUT  
 PCB TOLERANCE:±0.05 (TOP VIEW)

Part No	Pin	A	B	Part No	Pin	A	B
IDC1.27-US2S-3A	3	2.54	3.81	IDC1.27-US2S-13A	13	15.24	16.51
IDC1.27-US2S-4A	4	3.81	5.08	IDC1.27-US2S-15A	15	17.78	19.05
IDC1.27-US2S-5A	5	5.08	6.35	IDC1.27-US2S-17A	17	20.32	21.59
IDC1.27-US2S-6A	6	6.35	7.62	IDC1.27-US2S-20A	20	24.13	25.40
IDC1.27-US2S-7A	7	7.62	8.89	IDC1.27-US2S-22A	22	26.67	27.94
IDC1.27-US2S-8A	8	8.89	10.16	IDC1.27-US2S-25A	25	30.48	31.75
IDC1.27-US2S-10A	10	11.43	12.70	IDC1.27-US2S-30A	30	36.83	38.10
IDC1.27-US2S-12A	12	13.97	15.24				

DIMENSION IN mm		厦门市辛译精密电子有限公司 Xiamen XinYi Xyconn Electronics Co.,Ltd	
TOLERANCE UNLESS OTHERWISE SPECIFIED			
.X±0.35	X.*± 5'	APR. Alex	TITLE: 1.27IDC-nPin H5.7 SMT PC5.6 PB5.8 L7.0 6T
.XX±0.25	.X.*± 3'	CHK. Jack	DWG NO. IDC1.27-US2S-NA
.XXX±0.15	.XX.*± 1'	DRA. Can	PROJ.  CUSTOMER DRAWING
			SIZE A4 SCALE 1:1 SHEET 1/1 REV. A