

THIS IS A C.A.D. GENERATED DRAWING
DO NOT MAKE MANUAL REVISIONS TO MASTER.



NOTES:

Size 9 way has 2 versions, without logo and with "MH" logo.

* UNLESS OTHERWISE SPECIFIED TOLERANCES
ON DECIMAL IS: ANGLE ± 1°
UNIT: MM .XX ± 0.35

BACKSHELL KIT INCLUDES:

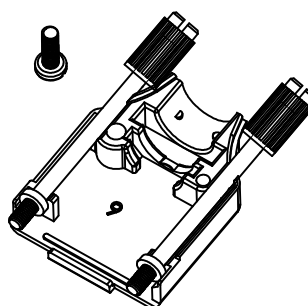
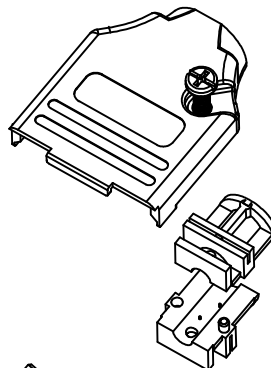
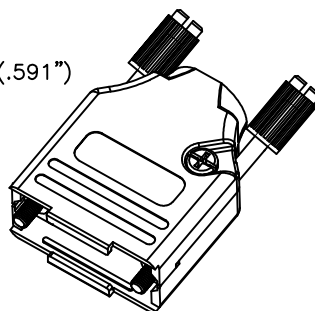
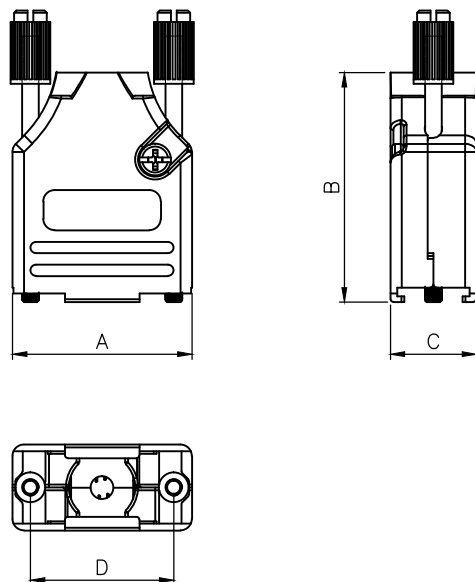
- (2)BACKSHELL HALVES
- (2)4-40 THUMBSCREWS
- (2)HOUSING SCREWS
- (1)SET OF COMPRESSION INSERTS-VARIOUS SIZES FOR 9-37 DIAMETERS 4mm(.157"), 5mm(.167"), 7mm(.276"), 9mm(.354")
- (1)SET OF COMPRESSION INSERTS-VARIOUS SIZES FOR 50 DIAMETERS 11mm(.433"), 12.5mm(.492"), 14mm(.551"), 15mm(.591")

MHDTZK9-DB9S-K=MHDTZK9-RA-PC-K + MHDB9SS
MHDTZK15-DB15S-K=MHDTZK15-RA-PC-K + MHDB15SS
MHDTZK25-DB25S-K=MHDTZK25-RA-PC-K + MHDB25SS

Without Logo: MHDTZK9-RA-PC-NL-K
With "MH" Logo: MHDTZK9-RA-PC-K

Size 15/25/37 way have only no logo version.

DIMENSIONS(mm/in)				
SIZE	A $\pm_{\pm 0.02}^{.50}$	B $\pm_{\pm 0.02}^{.50}$	C $\pm_{\pm 0.02}^{.50}$	D $\pm_{\pm 0.01}^{.25}$
9	31.20	39.90	15.00	24.99
	1.228	1.571	0.591	0.984
15	39.50	41.50	15.00	33.32
	1.555	1.634	0.591	1.312
25	53.40	48.60	15.00	47.04
	2.102	1.913	0.591	1.852
37	69.70	53.60	15.00	63.50
	2.744	2.110	0.591	2.500
50	67.50	54.00	18.70	61.00
	2.657	2.126	0.736	2.402



ORDERING INFORMATON:

SIZE	P/N - KITTED	PRODUCT CODE
9-WAY	6560-3105-01	MHDTZK9-RA-PC-K
15-WAY	6560-3105-02	MHDTZK15-RA-PC-K
25-WAY	6560-3105-03	MHDTZK25-RA-PC-K
37-WAY	6560-3105-04	MHDTZK37-RA-PC-K
50-WAY	6560-3105-05	MHDTZK50-RA-PC-K

BACKSHELL MATERIAL: DIE-CAST ZINC ALLOY
PLATING: NICKEL
JACKSCREWS: STEEL:ZN PLATED WITH PLASTIC KNOB
M3 HOODSCREWS: STEEL:ZN PLATED
COMPRESSION INSERT: ABS,UL RECOGNIZED
OPERATING TEMP: -40°C TO+120°C

THESE DRAWINGS AND SPECIFICATIONS ARE THE PROPERTY OF MH CONNECTORS AND SHALL NOT BE REPRODUCED, COPIED OR USED AS THE BASIS FOR THE MANUFACTURE OR SALE OF APPARATUS WITHOUT WRITTEN PERMISSION.

DRAWN Johnny	DATE 11-24-15
APPROVED Victor Lin	DATE 11-24-15



THIS SERIES FULLY CONFORMS TO THE EUROPEAN UNION DIRECTIVES 2002/95/EC AND 2002/96/EC FOR RoHS COMPLIANCY.

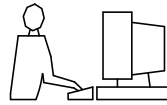


**MH CONNECTORS ,
DIVISION OF EDAC**

SCALE 1 : 1	SHEET OF 1 OF 1	REV: 7.0
----------------	--------------------	-------------

DRAWING No
MHDTZK-RA-PC

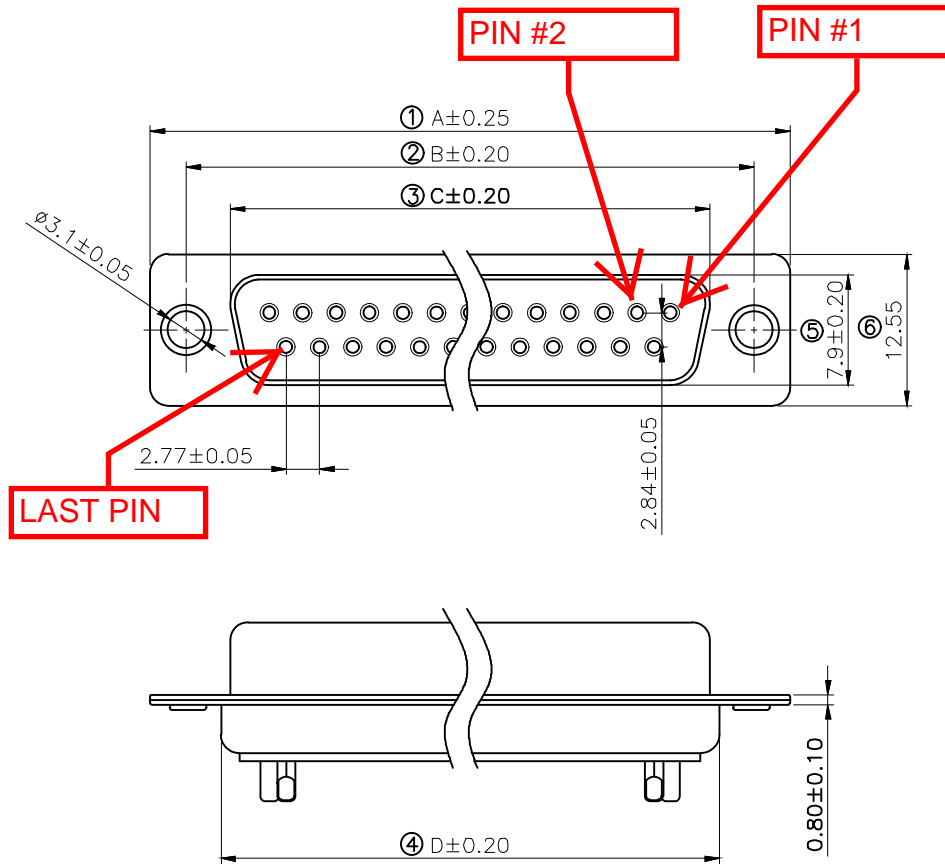
THIS IS A C.A.D. GENERATED DRAWING
DO NOT MAKE MANUAL REVISIONS TO MASTER.



* UNLESS OTHERWISE SPECIFIED TOLERANCES
ON DECIMAL IS: X.X ±0.15
 X.XX ±0.05
UNIT: MM ANGLE ±1°

ISSUE NUMBER

Original	①
Update the drawing frame;Current is updated from 5 AMP to 3 AMP. Iven Ou 2024/01/16	④



Remark:

1.SPECIFICATION:

Rated voltage:250V
Rates current:3AMP
Contact resistance:20MΩ MAX
Insulation resistance:1000MΩ MIN.at 500V DC
Withstand voltage:500V Per mintute
Temperature range:-55 -105 °C

2.MATERIAL:

Plastic:PBT+30% G.F (UL94V-0) BLACK
Terminal:brass ,tin-gold plated
Spcc shell:Spcc front shell is nickel plated back shell is nickel plated

PN	PIN	A	B	C	D
MHDB9SS	09	30.88	24.88	16.17	18.94
MHDB15SS	15	39.20	33.30	24.66	27.50
MHDB25SS	25	53.02	47.04	38.38	41.20
MHDB37SS	37	69.40	63.50	55.20	57.40

THESE DRAWINGS AND SPECIFICATIONS ARE THE PROPERTY OF MH CONNECTORS AND SHALL NOT BE REPRODUCED, COPIED OR USED AS THE BASIS FOR THE MANUFACTURE OR SALE OF APPARATUS WITHOUT WRITTEN PERMISSION.

DRAWN Johnny DATE 2012/07/16

APPROVED DATE

SCALE 1 : 1 SHEET OF 1 OF 1 REV: 4.0

DRAWING No MHDB SS



THIS SERIES FULLY CONFORMS TO THE EUROPEAN UNION DIRECTIVES 2015/863/EU AND 2011/65/EU FOR RoHS COMPLIANCY.



MH CONNECTORS ,
DIVISION OF EDAC