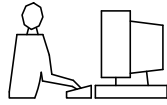


THIS IS A C.A.D. GENERATED DRAWING
DO NOT MAKE MANUAL REVISIONS TO MASTER.

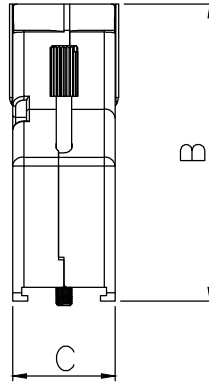
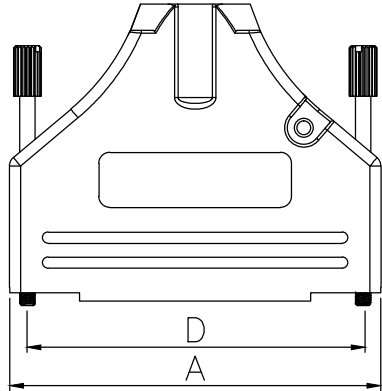


* UNLESS OTHERWISE SPECIFIED TOLERANCES
ON DECIMAL IS: ANGLE $\pm 1^\circ$
UNIT: MM .XX ± 0.35

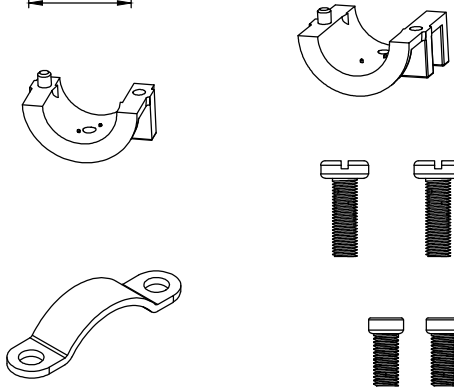
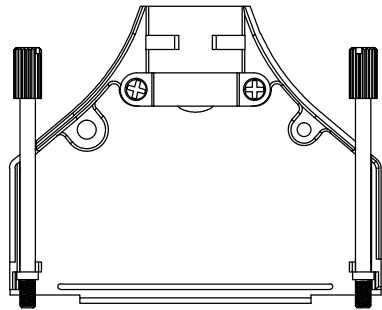
ISSUE NUMBER	
ORIGINAL	①
DRAWING UPDATED	②
JOHNNY JAN.04-2021	

BACKSHELL KIT INCLUDES:

- (2)BACKSHELL HALVES
- (2)4-40 THUMBSCREWS
- (2)HOUSING SCREWS
- (1)SET OF COMPRESSION INSERTS-VARIOUS SIZES FOR 50
DIAMETERS 11mm(.433"), 12.5mm(.492"), 14mm(.551"), 15mm(.591")
- (1)METAL CLAMP
- (2)CLAMP SCREWS



DIMENSIONS(mm/in)				
SIZE	A ± 0.50 ± 0.02	B ± 0.50 ± 0.02	C ± 0.50 ± 0.02	D ± 0.25 ± 0.01
50	67.50 2.657	54.00 2.126	18.70 0.736	61.00 2.402



BACKSHELL MATERIAL: DIE-CAST ZINC ALLOY
PLATING: NICKEL
JACKSCREWS: STEEL:ZN PLATED
M3 HOODSCREWS: STEEL:ZN PLATED
COMPRESSION INSERT: ABS,UL RECOGNIZED
METAL CLAMP: STEEL:ZN PLATED
CLAMP SCREWS: STEEL:ZN PLATED
OPERATING TEMP: -40°C TO+120°C

THESE DRAWINGS AND SPECIFICATIONS ARE THE
PROPERTY OF MH CONNECTORS LTD. AND SHALL NOT
BE REPRODUCED, COPIED OR USED AS THE BASIS FOR
THE MANUFACTURE OR SALE OF APPARATUS WITHOUT
WRITTEN PERMISSION.

DRAWN
Johnny
DATE
01-04-21

APPROVED
Victor
DATE
01-04-21

SCALE SHEET OF REV:
1 OF 1 2.0

DRAWING No
MHDTZK50-K



THIS SERIES FULLY CONFORMS TO THE
EUROPEAN UNION DIRECTIVES 2002/95/EC
AND 2002/96/EC FOR RoHS COMPLIANCY.



MH CONNECTORS LTD.