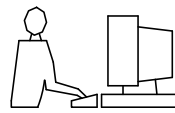


THIS IS A C.A.D. GENERATED DRAWING
DO NOT MAKE MANUAL REVISIONS TO MASTER.



* UNLESS OTHERWISE SPECIFIED TOLERANCES
ON DECIMAL IS: ANGLE ±5°
UNIT: MM X. ±0.38
X.X ±0.25

BACKSHELL KIT INCLUDES:

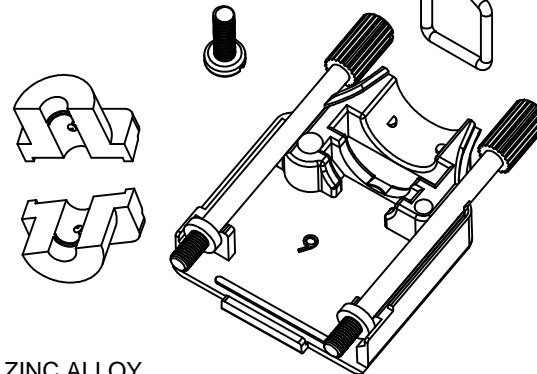
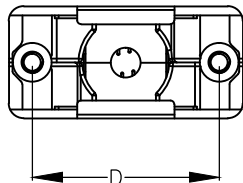
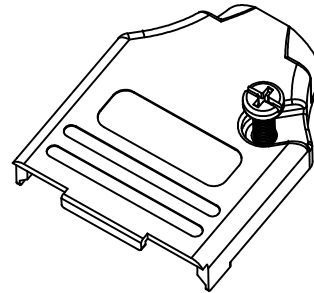
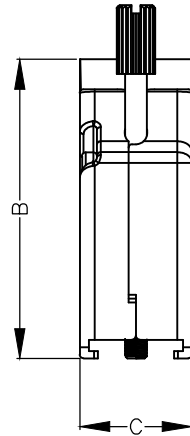
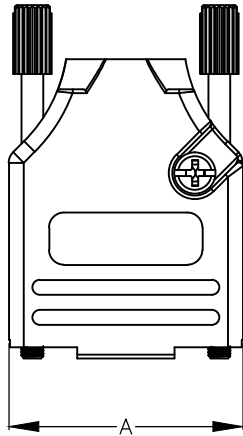
- (2) BACKSHELL HALVES
- (2) 4-40 THUMBSCREWS
- (2) HOUSING SCREWS
- (1) SET OF COMPRESSION INSERTS - VARIOUS SIZES
DIAMETERS 4mm (.157"), 5mm (.167"), 7mm (.276"), 9mm(.354")
- (1) COMPRESSION SPRING

Size 9 has both "MH" Logo
and non-logo versions.
With Logo=MHDTZK9-K
No Logo=MHDTZK9-NL-K

Size 15/25/37, only non-logo
versions are available.

DIMENSIONS(mm/in)

SIZE	A $\pm_{\pm 0.02}^{.50}$	B $\pm_{\pm 0.02}^{.50}$	C $\pm_{\pm 0.02}^{.50}$	D $\pm_{\pm 0.01}^{.25}$
9	31.20	39.90	15.00	24.99
	1.228	1.571	0.591	0.984
15	39.50	41.50	15.00	33.32
	1.555	1.634	0.591	1.312
25	53.40	48.60	15.00	47.04
	2.102	1.913	0.591	1.852
37	69.70	53.60	15.00	63.50
	2.744	2.110	0.591	2.500



ORDERING INFORMATON:

SIZE	P/N - KITTED	PRODUCT CODE:
9-WAY	6560-0805-01	MHDTZK9-K
15-WAY	6560-0805-02	MHDTZK15-K
25-WAY	6560-0805-03	MHDTZK25-K
37-WAY	6560-0805-04	MHDTZK37-K

BACKSHELL MATERIAL:
PLATING:
JACKSCREWS:
M3 HOODSCREWS:
COMPRESSION INSERT:
COMPRESSION SPRING:
OPERATING TEMP:

DIE-CAST ZINC ALLOY
NICKEL
STEEL: Zn PLATED
STEEL: Zn PLATED
ABS, UL RECOGNIZED
STEEL, NICKEL PLATED
-40°C TO +120°C

THESE DRAWINGS AND SPECIFICATIONS ARE THE PROPERTY OF MH CONNECTORS AND SHALL NOT BE REPRODUCED, COPIED OR USED AS THE BASIS FOR THE MANUFACTURE OR SALE OF APPARATUS WITHOUT WRITTEN PERMISSION.

DRAWN
Johnny Chen
DATE
06-24-15

APPROVED
DAMIEN
DATE
06-30-15

SCALE
1 : 1
SHEET OF
1 OF 1
REV:
3.0

DRAWING No
MHDTZK SERIES



THIS SERIES FULLY CONFORMS TO THE EUROPEAN UNION DIRECTIVES 2002/95/EC AND 2002/96/EC FOR RoHS COMPLIANCY.



**MH CONNECTORS ,
DIVISION OF EDAC**